

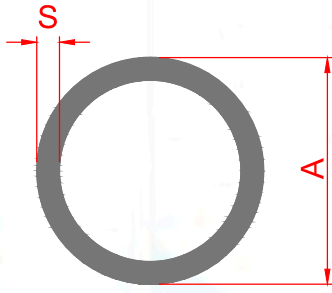
serai[®]

ALUMINIUM & STEEL

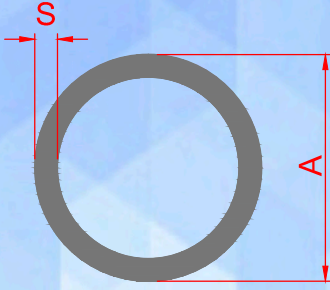
GENERAL CATALOG

INDEX

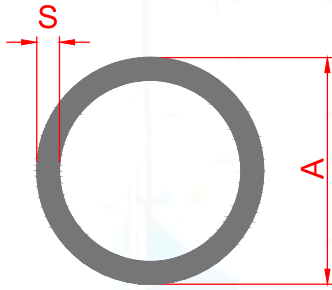
	<u>PAGE NO</u>
Standard Profiles	
* Pipe Profiles	01 - 04
* Box Profiles	05 - 09
* T Profiles	10
* Angle Profiles	11 - 13
* U Profiles	14 - 16
* Filled Bar Profiles	17 - 18
* Filled Box Profiles	19
* Lama Profiles	20 - 23
Door and Window - Sliding - Curtain Wall Systems	
* Aldoks System Series	24 - 28
* C 60 System Series	29 - 31
* Sliding System Series	32 - 37
* Curtain Wall System Series	38 - 44
* Sunshade Profiles	45 - 49
Composite Panel and Ceramic Facade Profiles	50 - 58
Ceramic and Floor Profiles	59 - 60
Skirting and Cable Duct Profiles	61 - 63
Polycarbonate Profiles	64
Roller Shutter - Insect Screen - Ventilation Profiles.....	65 - 68
Handrail Profiles	69 - 74
* Glass Handrail Profiles	75 - 79
* Railing Profiles	80 - 81
Folding Balcony Profiles	82 - 85
Hinge Profiles	86
Shower Cabin Profiles	87 - 90
Office Separator Profiles.....	91
Roller Blind Profiles	92
Cooler Profiles	93
Display Window and Stand Profiles	94 - 95
Advertisement Profiles	96 - 101
Doorframe Profiles	102
Windowsill Profiles	103
Truck and Vehicle Profiles	104 - 1111



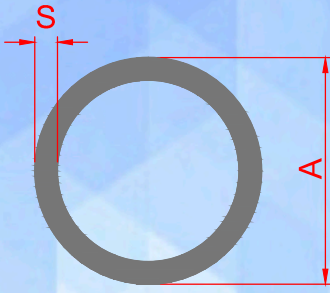
Profile No	A	S	Weight
1451	Ø 11	3.5	0.223 Kg/mt
3871	Ø 12	2	0.170 Kg/mt
1450	Ø 12.5	1.2	0.115 Kg/mt
1285	Ø 12.7	1.2	0.117 Kg/mt
2875	Ø 13	1.2	0.120 Kg/mt
1452	Ø 13	3	0.254 Kg/mt
1453	Ø 13.4	1.2	0.124 Kg/mt
1454	Ø 14.05	1.5	0.160 Kg/mt
4908	Ø 14.9	1.48	0.168 Kg/mt
1236	Ø 15	1.43	0.164 Kg/mt
4713	Ø 15.5	1.75	0.204 Kg/mt
1138	Ø 16	1	0.127 Kg/mt
2305	Ø 16	1.3	0.162 Kg/mt
1078	Ø 16	1.5	0.184 Kg/mt
1456	Ø 16	1.8	0.217 Kg/mt
1129	Ø 16	1.93	0.230 Kg/mt
1457	Ø 16	2	0.238 Kg/mt
1458	Ø 16	2.5	0.286 Kg/mt
2278	Ø 16	3.5	0.371 Kg/mt
1459	Ø 16	5.5	0.490 Kg/mt
2177	Ø 17	1	0.136 Kg/mt
1079	Ø 19	1	0.153 Kg/mt
1460	Ø 19	1.2	0.181 Kg/mt
1139	Ø 20	1	0.161 Kg/mt



Profile No	A	S	Weight
2566	Ø 20	1.5	0.235 Kg/mt
2178	Ø 21	1	0.170 Kg/mt
3633	Ø 21.2	4.1	0.595 Kg/mt
1288	Ø 21.8	7.4	0.904 Kg/mt
1461	Ø 22	1	0.178 Kg/mt
1462	Ø 22.5	1.2	0.216 Kg/mt
1415	Ø 22.9	0.9	0.168 Kg/mt
1463	Ø 24	1.2	0.232 Kg/mt
4995	Ø 24	3	0.534 Kg/mt
1464	Ø 24	8.5	1.118 Kg/mt
1387	Ø 24.8	8.9	1.200 Kg/mt
2179	Ø 25	1	0.204 Kg/mt
1465	Ø 25	1.2	0.242 Kg/mt
1466	Ø 25	2	0.390 Kg/mt
4666	Ø 25	7.5	1.113 Kg/mt
1467	Ø 25	9.1	1.225 Kg/mt
4698	Ø 26	1.5	0.312 Kg/mt
2576	Ø 26.3	1.5	0.316 Kg/mt
1468	Ø 27.5	2.5	0.529 Kg/mt
1416	Ø 27.9	0.9	0.206 Kg/mt
3634	Ø 27.9	5.45	1.038 Kg/mt
2443	Ø 28	7.5	1.304 Kg/mt
1469	Ø 30	2	0.475 Kg/mt
1470	Ø 30	2.5	0.583 Kg/mt

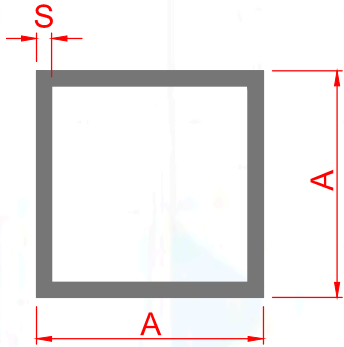


Profile No	A	S	Weight
4270	Ø 30	4	0.882 Kg/mt
1226	Ø 30	6.75	1.331 Kg/mt
5237	Ø 35	1.5	0.426 Kg/mt
1017	Ø 35	2	0.560 Kg/mt
1471	Ø 38	2.95	0.877 Kg/mt
1472	Ø 40	2	0.645 Kg/mt
2067	Ø 40	2.5	0.795 Kg/mt
1473	Ø 40.2	15.1	3.215 Kg/mt
1474	Ø 43.5	3	1.030 Kg/mt
4607	Ø 48.3	2.5	0.971 Kg/mt
4592	Ø 48.3	3.6	1.365 Kg/mt
3111	Ø 48.3	4	1.503 Kg/mt
1181	Ø 50	1.5	0.617 Kg/mt
2232	Ø 50	1.6	0.657 Kg/mt
1336	Ø 50	1.8	0.736 Kg/mt
1476	Ø 50	2	0.814 Kg/mt
1477	Ø 50	2.5	1.007 Kg/mt
2852	Ø 50.1	1.55	0.638 Kg/mt
1478	Ø 51	3	1.221 Kg/mt
1479	Ø 54	1.8	0.797 Kg/mt
2442	Ø 56	2	0.916 Kg/mt
1480	Ø 60	0.75	0.377 Kg/mt
1481	Ø 60	1	0.501 Kg/mt
1482	Ø 60	1.3	0.647 Kg/mt

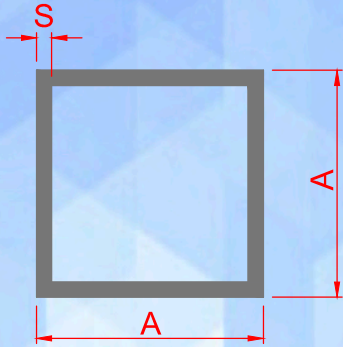


Profile No	A	S	Weight
1483	Ø 60	1.5	0.744 Kg/mt
3570	Ø 60	4	1.750 Kg/mt
2041	Ø 66	1.5	0.821 Kg/mt
4716	Ø 74	21.75	9.640 Kg/mt
2042	Ø 75	2	1.238 Kg/mt
3396	Ø 75	2.5	1.537 Kg/mt
1484	Ø 76	1.3	0.824 Kg/mt
3684	Ø 76	1.5	0.948 Kg/mt
4715	Ø 81	21	10.688 Kg/mt
3397	Ø 81.5	3	1.998 Kg/mt
2051	Ø 86	2	1.425 Kg/mt
3831	Ø 86	8	5.293 Kg/mt
4407	Ø 152.7	2.85	3.938 Kg/mt
4466	Ø 160.5	4.25	5.632 Kg/mt
4465	Ø 163	6	7.990 Kg/mt
3886	Ø 203.2	4.8	8.078 Kg/mt
5557	Ø 210	1.8	3.179 Kg/mt

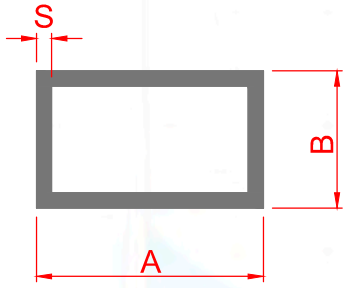
Box Profiles



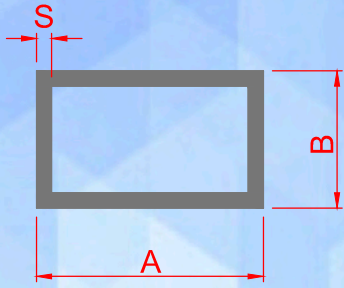
Profile No	A	S	Weight
1485	12.95	1.3	0.167 Kg/mt
2474	14	2	0.259 Kg/mt
5419	16	1.1	0.177 Kg/mt
2262	16	2	0.302 Kg/mt
4554	20	1	0.205 Kg/mt
2273	25	1.2	0.306 Kg/mt
1486	25	1.5	0.380 Kg/mt
5201	25	2	0.497 Kg/mt
3119	27.5	0.9	0.259 Kg/mt
4923	30	2	0.605 Kg/mt
1487	30	2	0.567 Kg/mt
1488	30	3	0.840 Kg/mt
5417	30	3	0.877 Kg/mt
1196	40	1	0.420 Kg/mt
1489	40	1.2	0.462 Kg/mt
2170	40	1.5	0.624 Kg/mt
1172	40	2	0.820 Kg/mt
3849	40	3	1.200 Kg/mt
1946	50	2	1.037 Kg/mt
3850	60	3	1.847 Kg/mt
3543	80	1.4	1.097 Kg/mt
5688	100	2	2.117 Kg/mt
2499	100	2	2.267 Kg/mt
4877	100	4	4.147 Kg/mt



Profile No	A	S	Weight
3549	110	2.5	2.858 Kg/mt
4599	130	3	4.173 Kg/mt
4472	135	2.5	4.952 Kg/mt
5262	150	1.8	2.881 Kg/mt
3851	150	3	4.763 Kg/mt

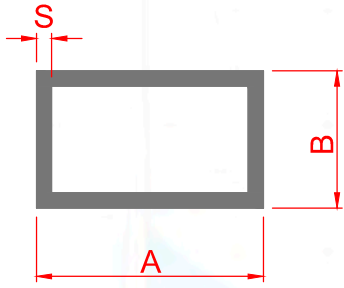


Profile No	A	B	S	Weight
2523	12	8	1.5	0.137 Kg/mt
2522	16	8	1.5	0.170 Kg/mt
2270	17.5	9.1	1.25	0.166 Kg/mt
2308	25	10	1.5	0.251 Kg/mt
4342	25	15	0.9	0.186 Kg/mt
5200	26.5	24	2	0.502 Kg/mt
1018	30	15	1	0.232 Kg/mt
1169	30	15	1.3	0.298 Kg/mt
1491	30	19	1.5	0.370 Kg/mt
1492	34	16	1.5	0.376 Kg/mt
2080	36.5	21.5	3	0.808 Kg/mt
5210	40	10	1.2	0.308 Kg/mt
4555	40	20	1	0.306 Kg/mt
1170	40	20	1	0.313 Kg/mt
1493	40	20	1.1	0.343 Kg/mt
1227	40	20	1.15	0.348 Kg/mt
1080	40	20	1.2	0.373 Kg/mt
4922	40	20	2	0.605 Kg/mt
3110	40	20	2	0.589 Kg/mt
3568	40	20	2.5	0.710 Kg/mt
1494	40	25	4.9	1.458 Kg/mt
4921	40	30	2	0.713 Kg/mt
1398	50	14.2	1.5	0.496 Kg/mt
4591	50	20	1.6	0.577 Kg/mt



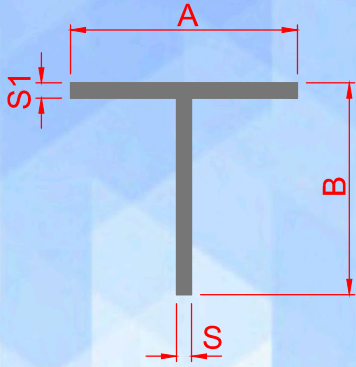
Profile No	A	B	S	Weight
4991	50	20	2	0.712 Kg/mt
1947	50	30	2	0.821 Kg/mt
1171	50	40	1.1	0.522 Kg/mt
4260	50	40	2	0.920 Kg/mt
4359	53.5	15.5	2	0.702 Kg/mt
4275	60	9.4	1.2	0.432 Kg/mt
4640	60	30	1.1	0.521 Kg/mt
4556	60	30	2	0.929 Kg/mt
1496	60	40	1.6	0.836 Kg/mt
4920	60	40	2	1.037 Kg/mt
1497	65	25	1	0.475 Kg/mt
1404	68	33	3.75	1.813 Kg/mt
4563	70	20	1.1	0.521 Kg/mt
1427	70	30	0.8	0.425 Kg/mt
1499	75	25	1	0.529 Kg/mt
1173	75	32	1.2	0.678 Kg/mt
1500	80	40	1.25	0.794 Kg/mt
5442	80	40	1.8	1.131 Kg/mt
5685	80	40	2	1.253 Kg/mt
5686	80	40	4	2.419 Kg/mt
1405	86.5	36.5	3	1.801 Kg/mt
4539	94	90	2.5	2.595 Kg/mt
1174	95	50	1.5	1.150 Kg/mt
3572	100	50	1.2	0.956 Kg/mt

Box Profiles



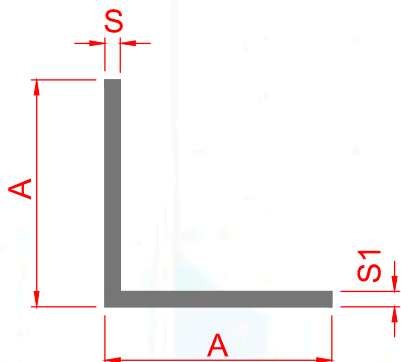
Profile No	A	B	S	Weight
1944	100	50	2	1.577 Kg/mt
1501	109	39	2	1.555 Kg/mt
1502	111.3	41.3	2	1.605 Kg/mt
5687	120	40	2.5	2.093 Kg/mt
4408	124.5	74	3	3.119 Kg/mt
4473	135	100	2.5	4.478 Kg/mt
4138	150	15	1.8	1.569 Kg/mt
5209	150	25	1.5	1.676 Kg/mt
5122	150	50	2	2.117 Kg/mt
4540	150	60	3	3.284 Kg/mt
4994	150	80	3	3.629 Kg/mt
4139	150	100	2	2.657 Kg/mt
4140	200	50	2	2.657 Kg/mt
3577	200	60	2.4-6	4.803 Kg/mt
5189	200	100	2	3.197 Kg/mt
5704	200	100	2	3.663 Kg/mt
2859	200	150	3	6.736 Kg/mt
3533	240	125	5.5 - 8	12.021 Kg/mt
4688	250	80	2.5	4.387 Kg/mt
2984	250	100	2.5	4.658 Kg/mt
4541	260	60	3	5.431 Kg/mt
3813	300	70	3	5.876 Kg/mt

T Profiles



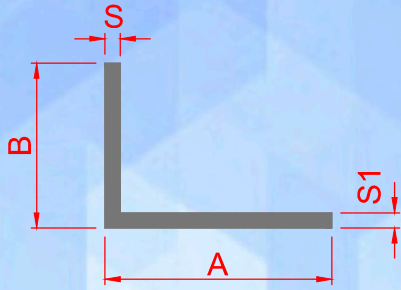
Profile No	A	B	S	S1	Weight
1503	15	15	1.4	1.4	0.108 Kg/mt
1504	20	20	1.4	1.4	0.146 Kg/mt
1505	25	25	1.2	1.2	0.159 Kg/mt
1506	25	25	1.4	1.4	0.184 Kg/mt
1507	30	30	1.4	1.4	0.221 Kg/mt
1508	13	35	1.5	1.8	0.197 Kg/mt
1509	20	13	2	2	0.162 Kg/mt
1510	20	40	1.4	1.4	0.221 Kg/mt

Angle Profiles



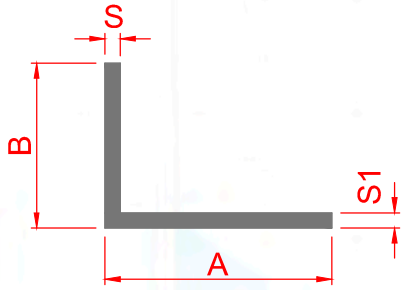
Profile No	A	S	S1	Weight
1511	12	1.2	1.2	0.074 Kg/mt
1512	15	1.2	1.2	0.093 Kg/mt
1513	15	1.5	1.5	0.116 Kg/mt
1175	20	1.2	1.2	0.126 Kg/mt
1514	20	1.4	1.4	0.146 Kg/mt
1321	20	2	2	0.205 Kg/mt
2620	23.2	1.2	1.2	0.146 Kg/mt
1096	25	1.2	1.2	0.158 Kg/mt
1515	25	1.4	1.4	0.184 Kg/mt
1097	30	1.2	1.2	0.191 Kg/mt
1516	30	1.3	1.3	0.205 Kg/mt
1517	30	1.5	1.5	0.238 Kg/mt
1518	30	2	2	0.313 Kg/mt
1519	30	3	3	0.462 Kg/mt
1341	35	2	2	0.367 Kg/mt
1177	40	1.2	1.2	0.255 Kg/mt
1520	40	1.4	1.4	0.297 Kg/mt
4730	40	1.85	1.85	0.390 Kg/mt
5684	40	2	2	0.421 Kg/mt
2048	40	3	3	0.624 Kg/mt
1322	40	4	4	0.821 Kg/mt
1521	40.45	4.4	4.4	0.906 Kg/mt
1342	50	2	2	0.529 Kg/mt
2137	50	3	3	0.786 Kg/mt

Angle Profiles



Profile No	A	B	S	S1	Weight
1522	22	14	2	2.7	0.222 Kg/mt
1523	30	15	1.5	1.5	0.176 Kg/mt
1282	30	15	3	3	0.340 Kg/mt
2352	30	20	1.2	1.2	0.158 Kg/mt
4925	30	20	1.5	1.5	0.196 Kg/mt
1524	30	20	1.8	1.8	0.234 Kg/mt
2931	30	24	2	2	0.277 Kg/mt
1957	35	21.5	2	2	0.294 Kg/mt
1525	40	15	1.2	1.2	0.174 Kg/mt
1176	40	20	1.2	1.2	0.191 Kg/mt
1526	40	20	1.4	1.4	0.222 Kg/mt
5252	40	20	1.8	1.8	0.288 Kg/mt
1338	40	20	2	2	0.313 Kg/mt
1262	40	30	1.2	1.2	0.223 Kg/mt
5683	40	30	2	2	0.367 Kg/mt
4924	40	30	3	3	0.543 Kg/mt
3372	40	30	5	2	0.594 Kg/mt
1855	50	13	3	3	0.486 Kg/mt
3118	50	20	1.05	1.05	0.195 Kg/mt
3367	50	30	5	2	0.648 Kg/mt
5255	50	30	5	5	1.013 Kg/mt
3580	50	40	1.5	1.5	0.358 Kg/mt
1178	60	20	1.5	1.5	0.318 Kg/mt
3123	60	20	2	2	0.421 Kg/mt

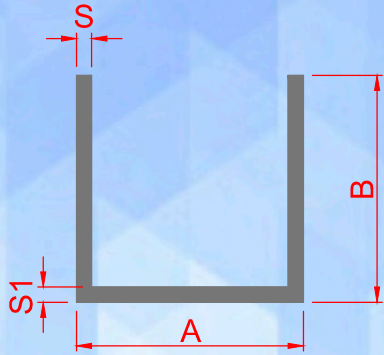
Angle Profiles



Profile No	A	B	S	S1	Weight
1529	60	40	2	2	0.529 Kg/mt
2535	60	40	5	5	1.283 Kg/mt
1530	70	20	2	2	0.475 Kg/mt
1447	70	30	2.9	2.9	0.760 Kg/mt
2985	70	50	3.3	3.3	1.040 Kg/mt
4918	70	50	5	5	1.552 Kg/mt
3117	80	20	1.2	1.2	0.320 Kg/mt
4919	80	50	4	4	1.361 Kg/mt
2986	90	53	3	3	1.134 Kg/mt
2969	96	80	10	10	4.481 Kg/mt
2353	100	20	1.5	1.5	0.480 Kg/mt
2597	100	50	4	4	1.577 Kg/mt
3116	120	20	1.5	1.5	0.561 Kg/mt
3149	120	50	4	4	1.793 Kg/mt
2987	120	53	3	3	1.382 Kg/mt
3115	140	20	2	2	0.855 Kg/mt
2988	160	50	4	4	2.225 Kg/mt

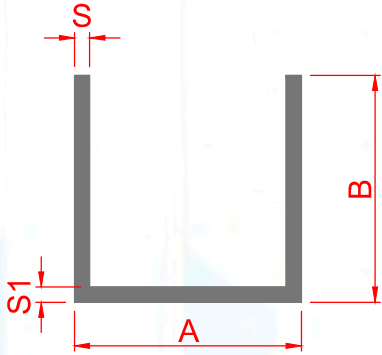
U Profiles

seral[®]

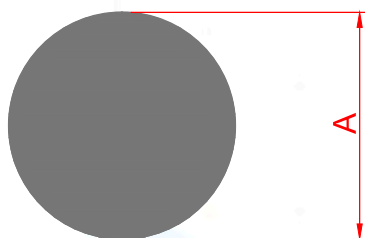


Profile No	A	B	S	S1	Weight
4295	8	14	1	1	0.090 Kg/mt
1531	10.5	9	1.75	1.75	0.118 Kg/mt
1532	10.9	9	1.9	2	0.131 Kg/mt
1533	12	9	1.5	2	0.114 Kg/mt
1534	12.9	15	1	1	0.110 Kg/mt
1535	13	11.4	1.4	1.5	0.110 Kg/mt
1536	13.2	7	1.2	2	0.104 Kg/mt
2520	13.3	10	2.5	2.35	0.186 Kg/mt
1257	14	28	1.2	1.2	0.218 Kg/mt
1386	17.5	23	1.1	1.1	0.182 Kg/mt
1538	18.2	14	0.9	0.9	0.106 Kg/mt
1539	19	20	1	1	0.153 Kg/mt
3120	20	20	2	2	0.302 Kg/mt
1540	20	25	1	1	0.184 Kg/mt
2209	20	25	5	5	0.810 Kg/mt
1541	20.2	9.9	1	1	0.101 Kg/mt
4385	20.4	8.5	1.2	1.2	0.112 Kg/mt
2440	20.5	18	1	1.1	0.152 Kg/mt
1542	20.8	14	0.9	0.9	0.106 Kg/mt
1765	21.3	12	1.1	1.1	0.128 Kg/mt
1543	21.6	10	1.3	1.3	0.135 Kg/mt
1544	21.6	14	1.3	1.3	0.164 Kg/mt
1958	21.7	20.2	2	2	0.321 Kg/mt
1848	21.8	11.9	1.3	1.3	0.150 Kg/mt

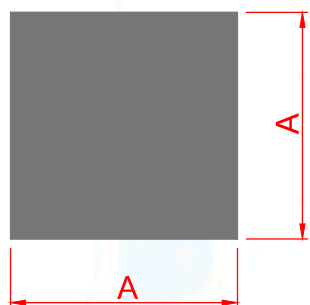
U Profiles



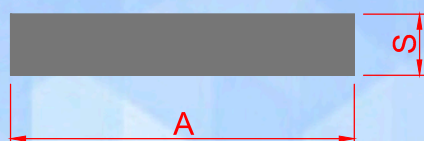
Profile No	A	B	S	S1	Weight
5415	22.6	25.5	1.5	1.5	0.281 Kg/mt
3784	24.8	30	1	1	0.223 Kg/mt
2152	25	26.5	1.2	1.2	0.244 Kg/mt
4395	25	35	1.2	1.2	0.296 Kg/mt
2936	25	50	2	2	0.653 Kg/mt
1256	25.4	25.7	1.5	1.5	0.298 Kg/mt
4313	27	20	2	2	0.327 Kg/mt
4552	29.7	35	1.2	1.2	0.310 Kg/mt
1094	30	10	1	1	0.129 Kg/mt
1095	30	15	1	1	0.156 Kg/mt
3597	32	20	1.6	1.6	0.297 Kg/mt
1545	37	44.5	2	2	0.650 Kg/mt
1546	40	10	1.1	1.1	0.171 Kg/mt
1547	40	15	0.9	0.9	0.166 Kg/mt
3140	45	37	1.5	1.5	0.470 Kg/mt
1548	47	38	4	4	1.239 Kg/mt
5170	62.5	30	1.2	1.4	0.421 Kg/mt
5169	62.7	70	1.3	1.5	0.734 Kg/mt
1549	72	25	1.2	1.2	0.388 Kg/mt
1550	74.8	26	1.2	1.2	0.400 Kg/mt
5354	80	40	2	2	0.842 Kg/mt
1551	85	20	2	2	0.650 Kg/mt
1552	86	40	2	2	0.875 Kg/mt
1553	100	70	6	6	3.453 Kg/mt



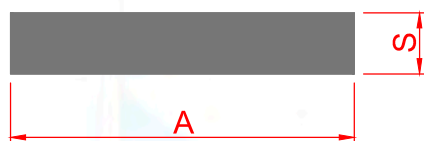
Profile No	A	Weight
1556	Ø 7.7	0.126 Kg/mt
1179	Ø 12	0.306 Kg/mt
2705	Ø 16	0.543 Kg/mt
2068	Ø 18	0.687 Kg/mt
1557	Ø 20	0.848 Kg/mt
1204	Ø 21.8	1.008 Kg/mt
1286	Ø 23.3	1.151 Kg/mt
1287	Ø 24.8	1.304 Kg/mt
1558	Ø 25	1.325 Kg/mt
1559	Ø 27	1.546 Kg/mt
3616	Ø 27.8	1.639 Kg/mt
3391	Ø 29.8	1.883 Kg/mt
1560	Ø 30	1.909 Kg/mt
3427	Ø 32	2.172 Kg/mt
1561	Ø 35	2.598 Kg/mt
4603	Ø 36	2.748 Kg/mt
2777	Ø 40	3.393 Kg/mt
1562	Ø 40.2	3.427 Kg/mt
4678	Ø 45	4.294 Kg/mt
2572	Ø 50	5.301 Kg/mt
4679	Ø 55	6.415 Kg/mt
4680	Ø 60	7.634 Kg/mt
4427	Ø 63	8.417 Kg/mt
4681	Ø 70	10.391 Kg/mt



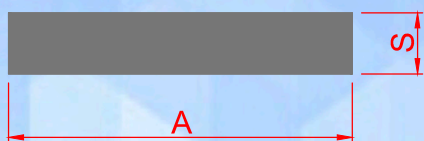
Profile No	A	Weight
1563	6.9	0.129 Kg/mt
1564	8	0.173 Kg/mt
2082	10	0.270 Kg/mt
2778	10	0.266 Kg/mt
1565	10.9	0.321 Kg/mt
1566	12	0.389 Kg/mt
1841	12	0.386 Kg/mt
1567	14	0.529 Kg/mt
1842	14	0.527 Kg/mt
1568	20	1.080 Kg/mt
2404	20	1.059 Kg/mt
1406	25	1.688 Kg/mt
1569	26	1.825 Kg/mt
4944	30	2.428 Kg/mt
5348	35	3.308 Kg/mt
2386	40	4.320 Kg/mt
4492	55	8.165 Kg/mt



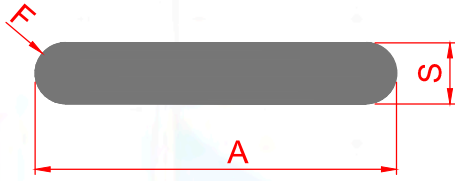
Profile No	A	S	Weight
1571	8.9	7	0.168 Kg/mt
1572	9.95	7.9	0.212 Kg/mt
2521	11	8	0.237 Kg/mt
2266	11.1	6.4	0.192 Kg/mt
2811	12	3	0.097 Kg/mt
1859	12	8	0.259 Kg/mt
3722	12	10	0.324 Kg/mt
1573	12	10	0.324 Kg/mt
3743	14	8	0.302 Kg/mt
1574	15	3	0.121 Kg/mt
1231	15	10	0.405 Kg/mt
1575	16	5	0.216 Kg/mt
1576	16	8	0.346 Kg/mt
1578	16	6	0.257 Kg/mt
1579	17	4.5	0.208 Kg/mt
1853	17	5	0.229 Kg/mt
1580	17	7	0.321 Kg/mt
2959	17	7	0.316 Kg/mt
1581	17	10	0.459 Kg/mt
2438	17.8	9.8	0.470 Kg/mt
1582	18	6.5	0.315 Kg/mt
1583	18	8	0.388 Kg/mt
1584	18	10	0.468 Kg/mt
1585	19	3.6	0.185 Kg/mt



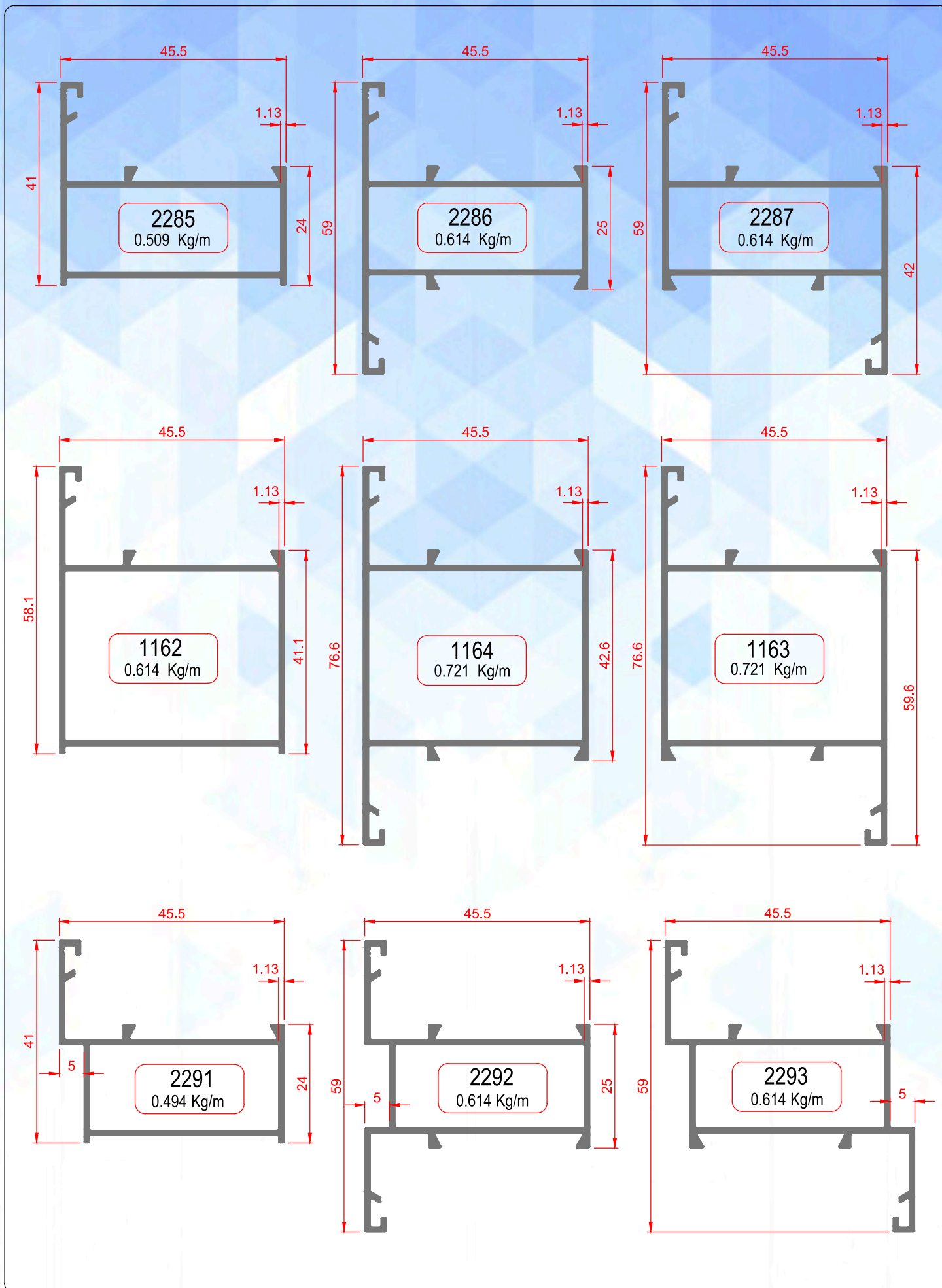
Profile No	A	S	Weight
1586	19.75	2.7	0.143 Kg/mt
1587	20	5	0.269 Kg/mt
2588	20	7.9	0.423 Kg/mt
1588	20	8	0.432 Kg/mt
2210	20	10	0.539 Kg/mt
2686	23	8	0.496 Kg/mt
1589	25	2.5	0.169 Kg/mt
1289	25	5	0.338 Kg/mt
1864	25	7	0.470 Kg/mt
1591	28.1	2.7	0.194 Kg/mt
1959	30	3	0.242 Kg/mt
1592	30	7	0.563 Kg/mt
1593	30	8	0.644 Kg/mt
1595	30	8	0.648 Kg/mt
1594	30	10	0.809 Kg/mt
1596	33	4	0.356 Kg/mt
1597	34	8	0.734 Kg/mt
1598	35	2	0.189 Kg/mt
1570	35	30	2.835 Kg/mt
1599	38.7	6.3	0.635 Kg/mt
1600	40	1.2	0.129 Kg/mt
1601	40	3	0.324 Kg/mt
1412	45	13	1.580 Kg/mt
1854	50	3	0.405 Kg/mt

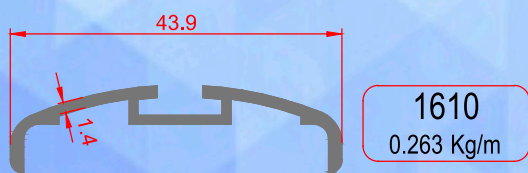
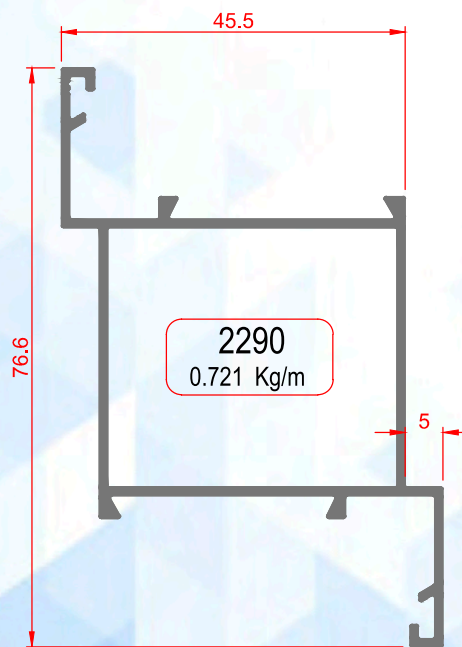
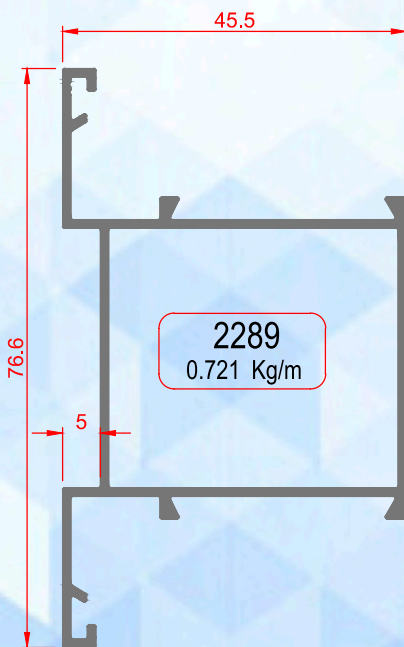
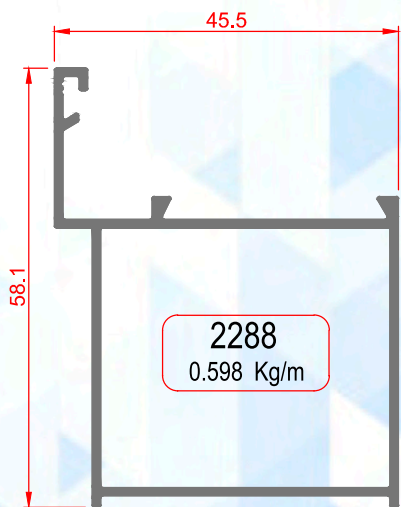
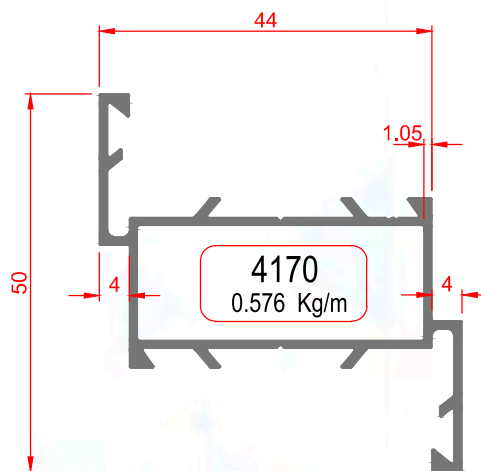
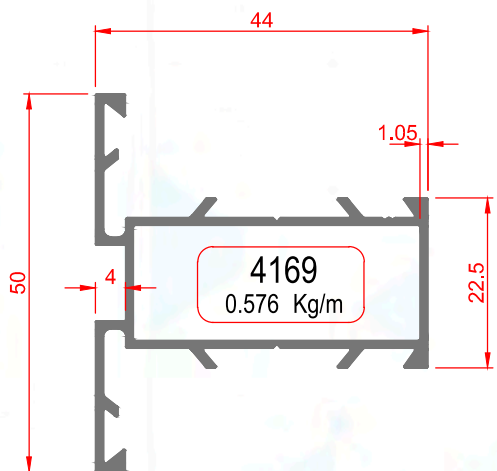


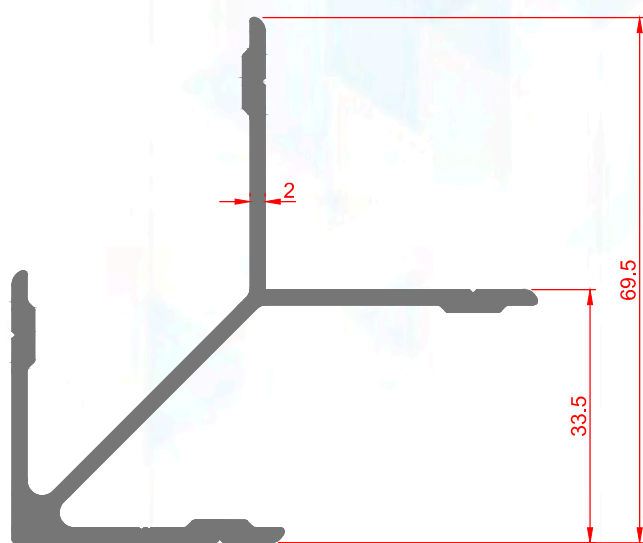
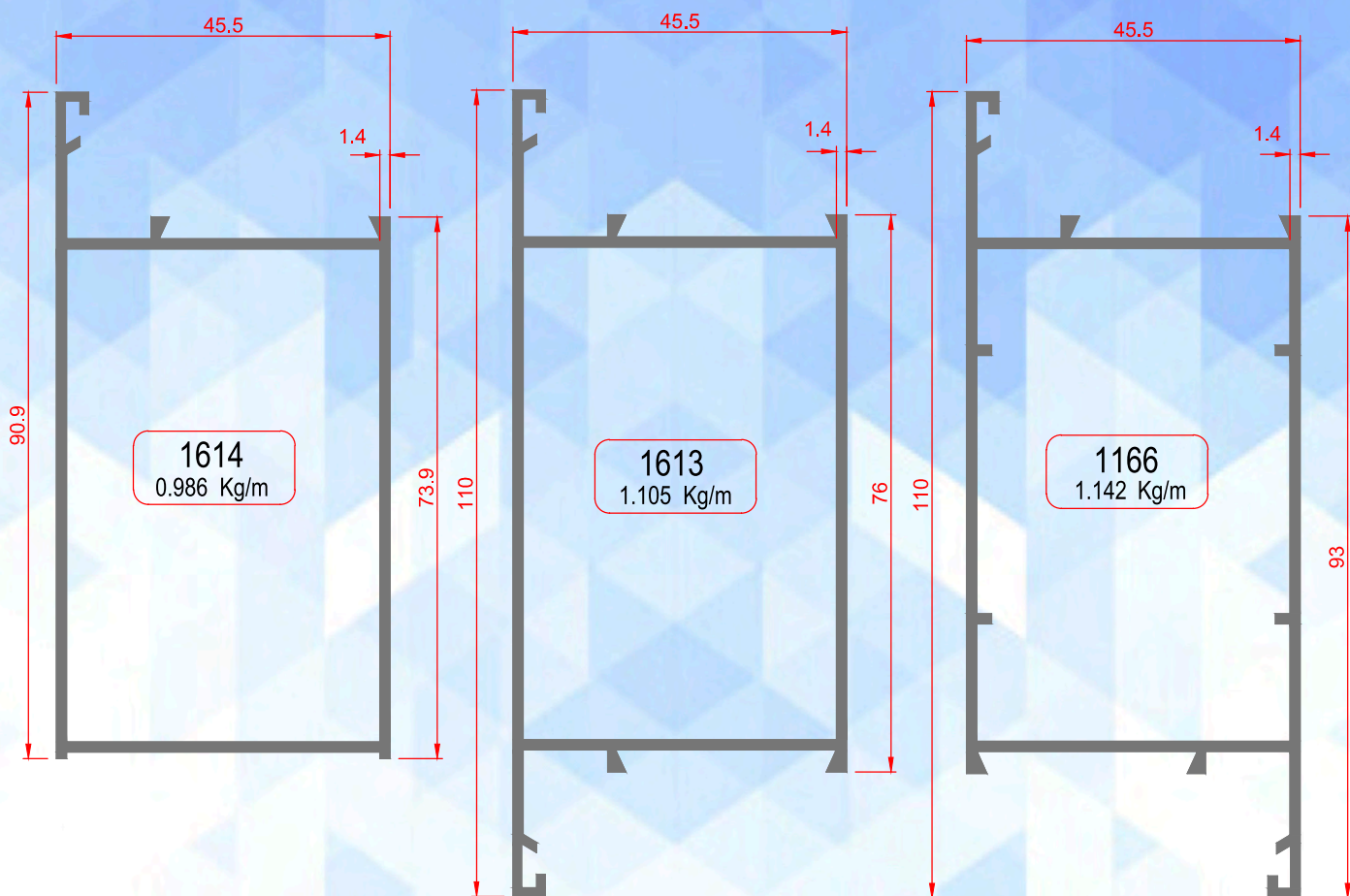
Profile No	A	S	Weight
5682	50	5	0.675 Kg/mt
3425	50	10	1.350 Kg/mt
4961	50	20	2.698 Kg/mt
4269	60	10	1.620 Kg/mt
2151	60	12	1.943 Kg/mt
2488	60	25.2	4.096 Kg/mt
4526	60	40	6.478 Kg/mt
1537	75	10	2.025 Kg/mt
3426	80	12	2.592 Kg/mt
1602	80	20	4.320 Kg/mt
4677	80	40	8.637 Kg/mt
3869	85	12	2.754 Kg/mt
1379	90	10	2.430 Kg/mt
1603	100	10	2.700 Kg/mt
1604	160	4	1.728 Kg/mt
1605	160	10	4.320 Kg/mt
3828	185	20	9.990 Kg/mt
1606	200	18	9.720 Kg/mt
3827	250	20	13.500 Kg/mt



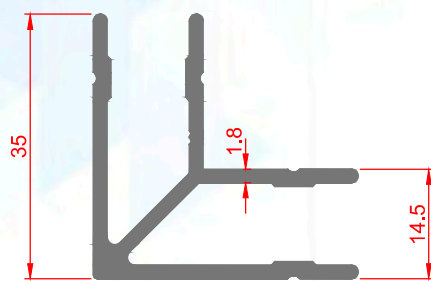
Profile No	A	S	Weight
1577	16	7	0.274 Kg/mt
1411	20	3	0.157 Kg/mt
1418	20	4	0.207 Kg/mt
2503	20	6	0.303 Kg/mt
1590	25	5	0.325 Kg/mt
1044	55	6	0.873 Kg/mt
1048	74.9	6.9	1.368 Kg/mt
1045	80	6	1.275 Kg/mt
1049	99.9	6.9	1.833 Kg/mt
1046	110	6	1.791 Kg/mt
1050	129.9	6.9	2.392 Kg/mt
1047	160	6	2.571 Kg/mt
2941	200	6	3.219 Kg/mt



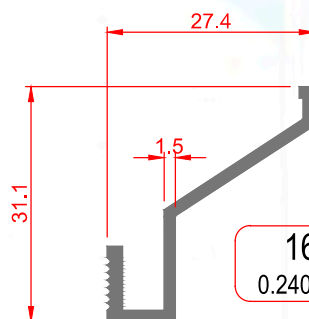




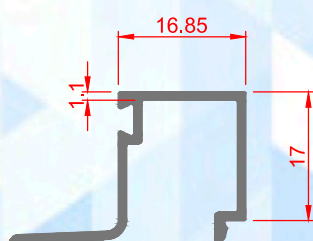
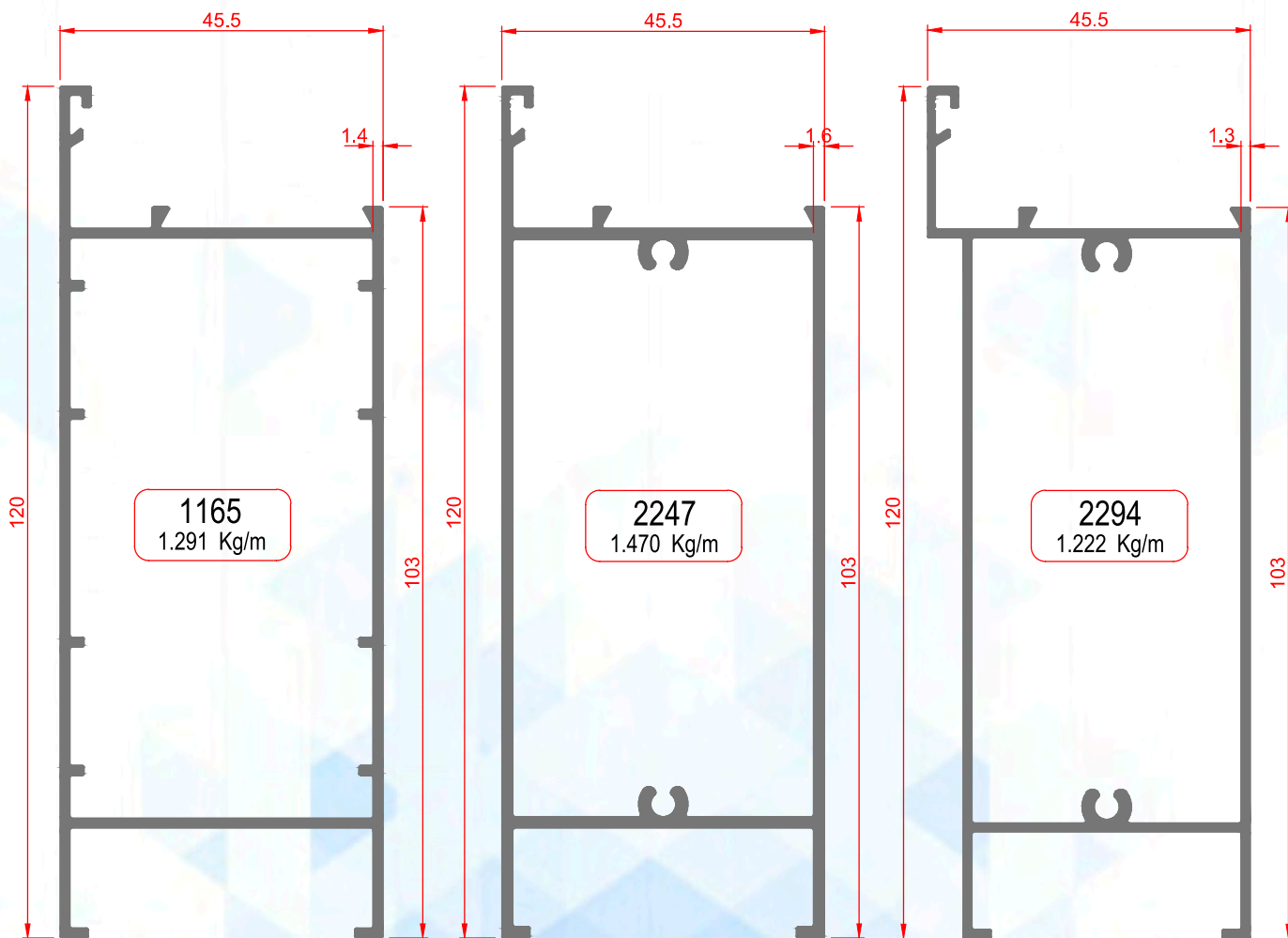
3579
1.105 Kg/m



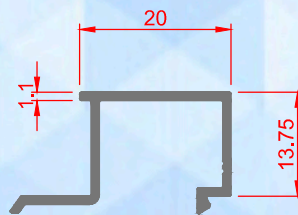
2006
0.642 Kg/m



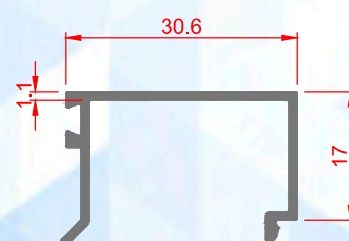
1607
0.240 Kg/m



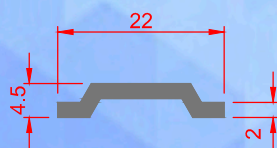
1258
0.222 Kg/m



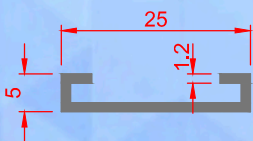
2365
0.187 Kg/m



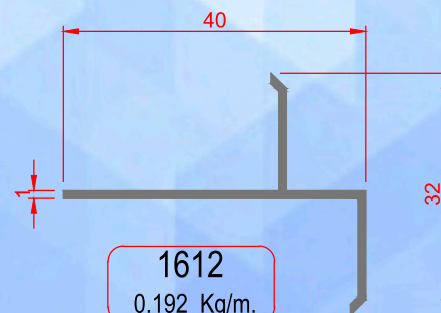
1167
0.232 Kg/m



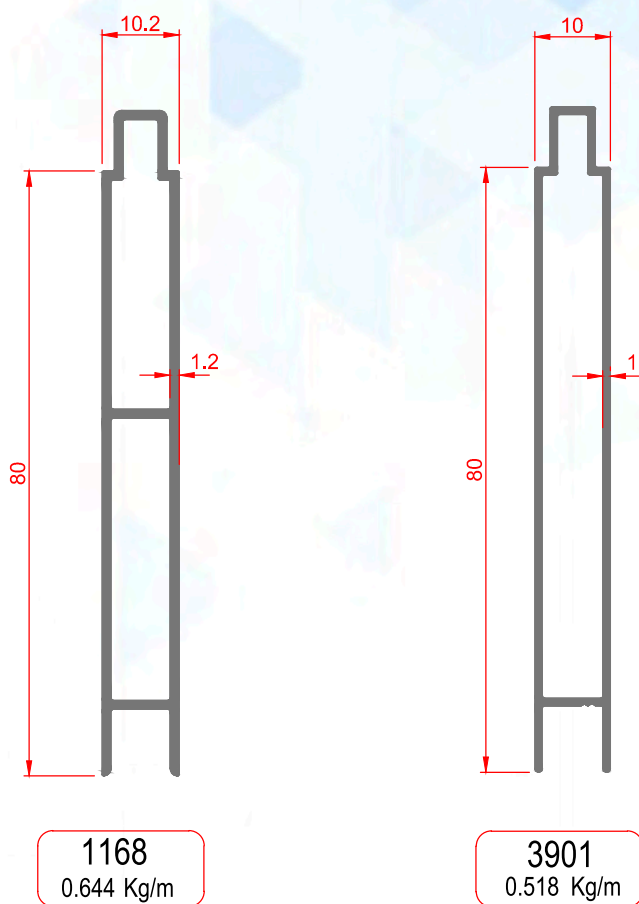
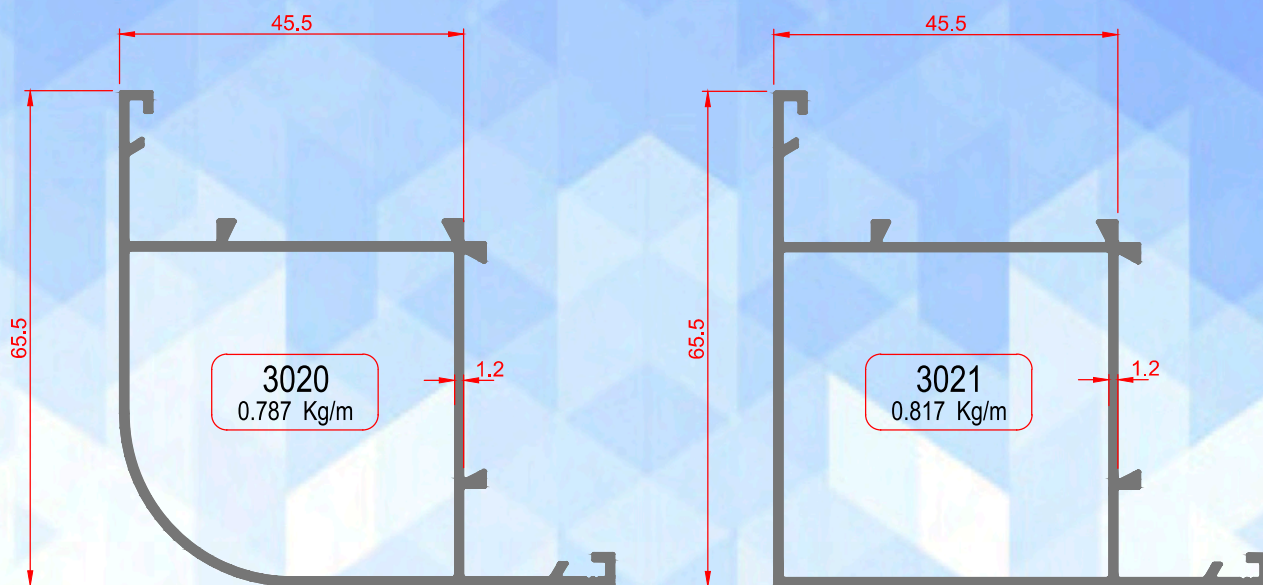
1608
0.135 Kg/m

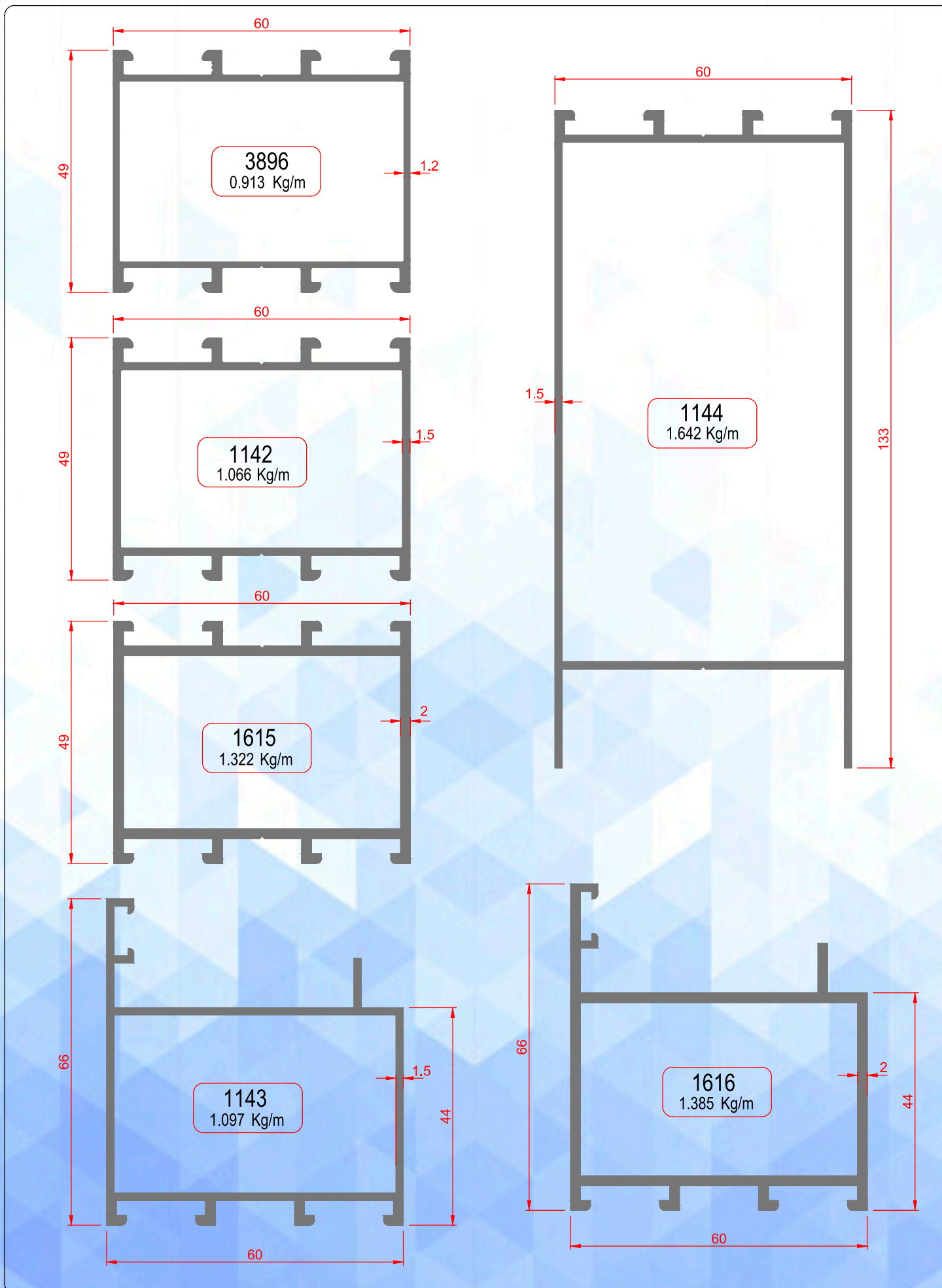


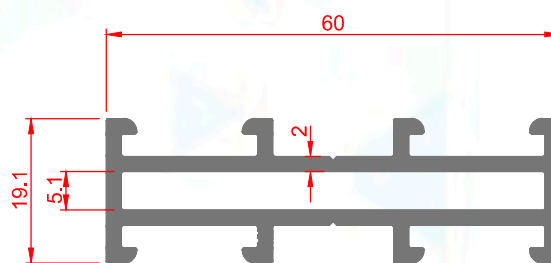
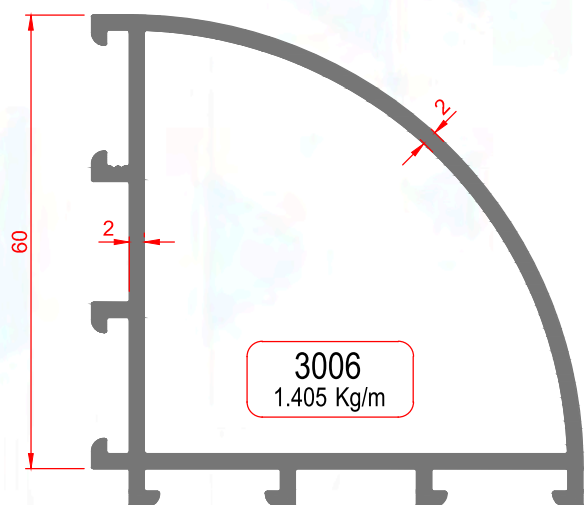
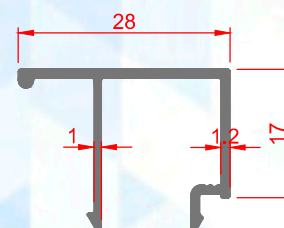
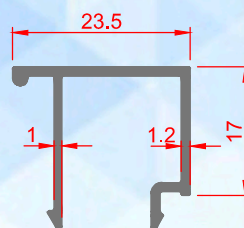
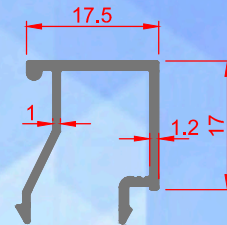
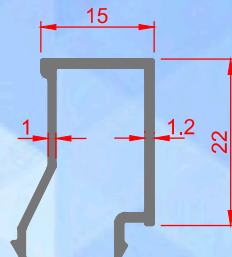
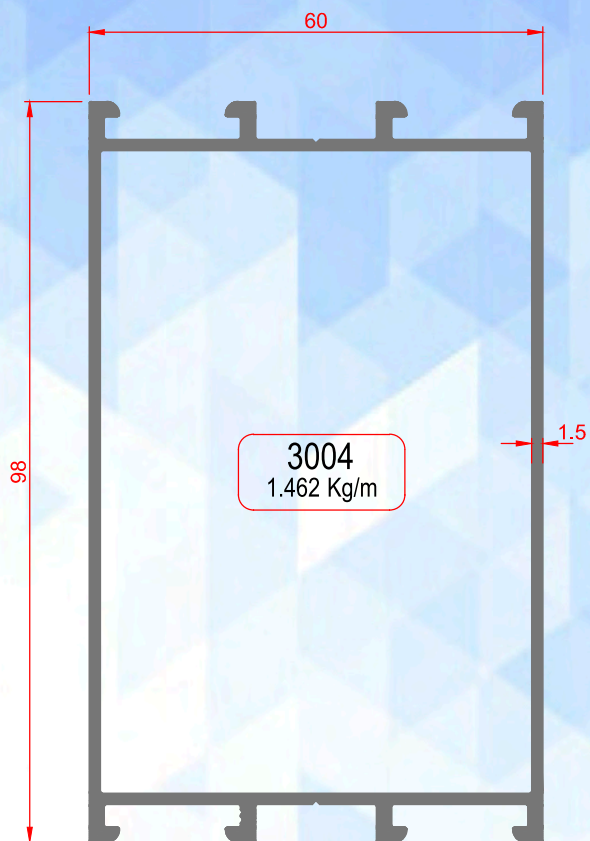
1609
0.124 Kg/m

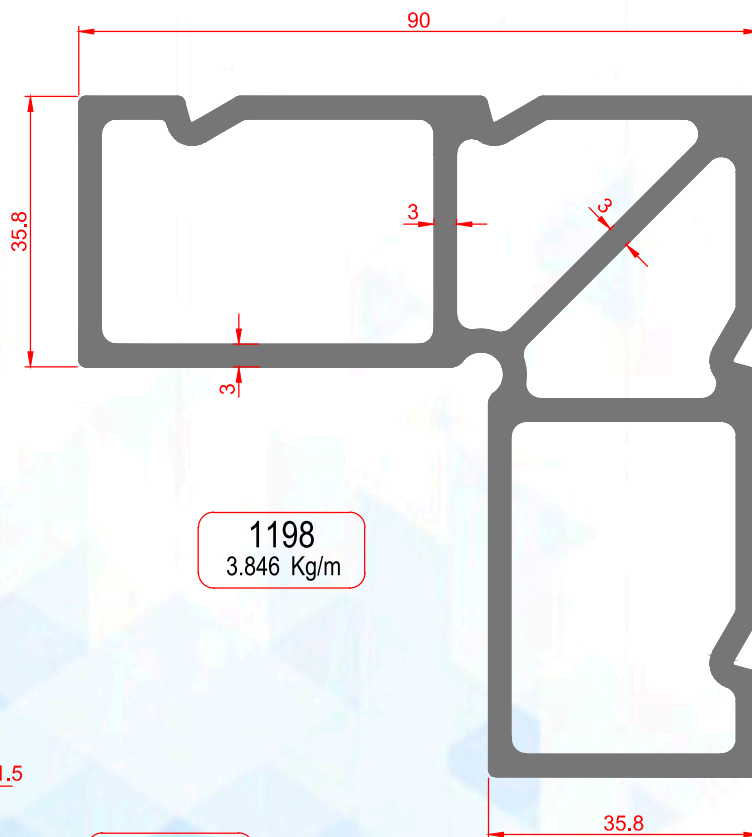


1612
0.192 Kg/m.

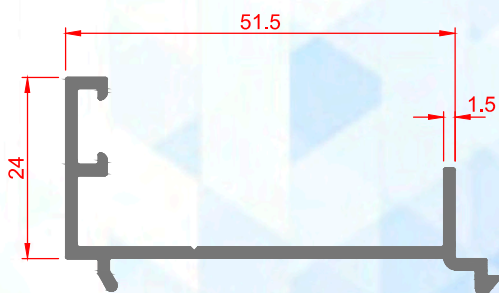




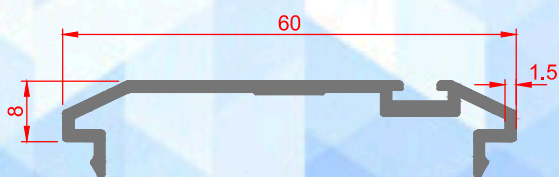




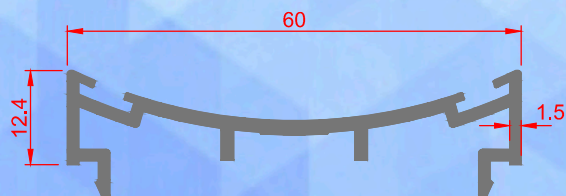
1198
3.846 Kg/m



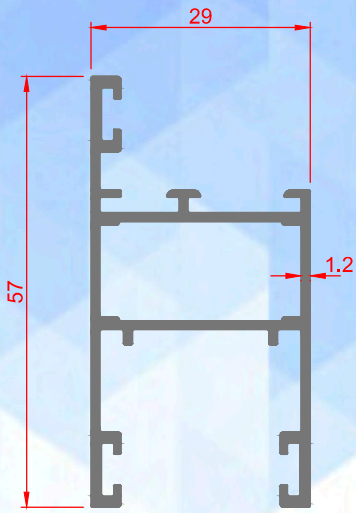
1147
0.443 Kg/m



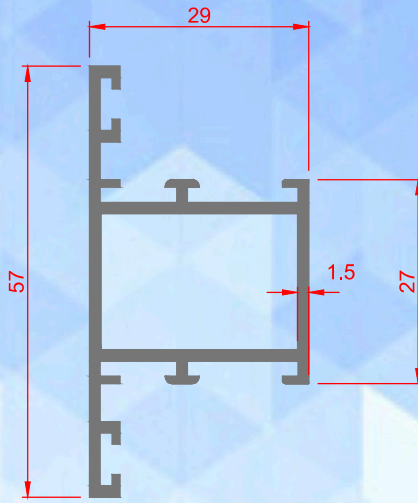
1617
0.375 Kg/m



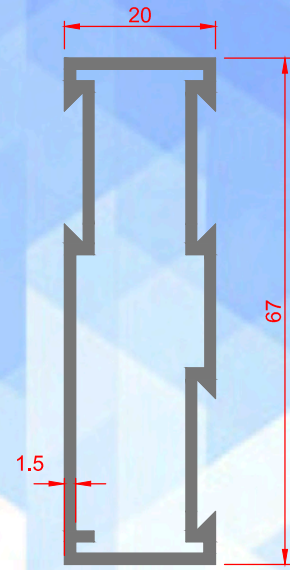
1618
0.507 Kg/m



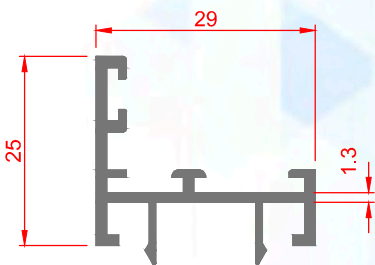
1619
0.652 Kg/m



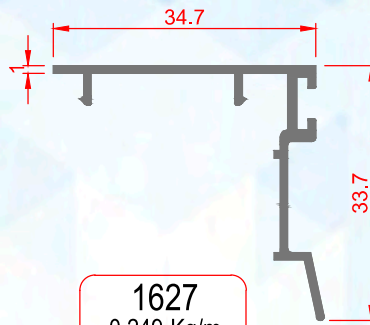
1620
0.660 Kg/m



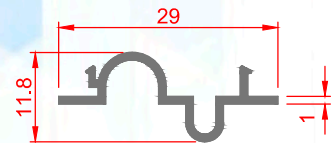
1621
0.778 Kg/m



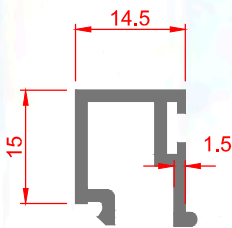
1622
0.334 Kg/m



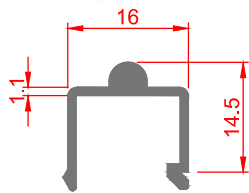
1627
0.249 Kg/m



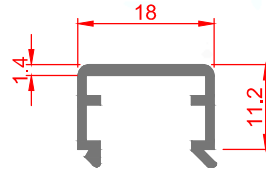
1628
0.141 Kg/m



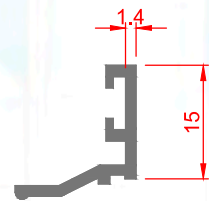
1626
0.220 Kg/m



1624
0.166 Kg/m

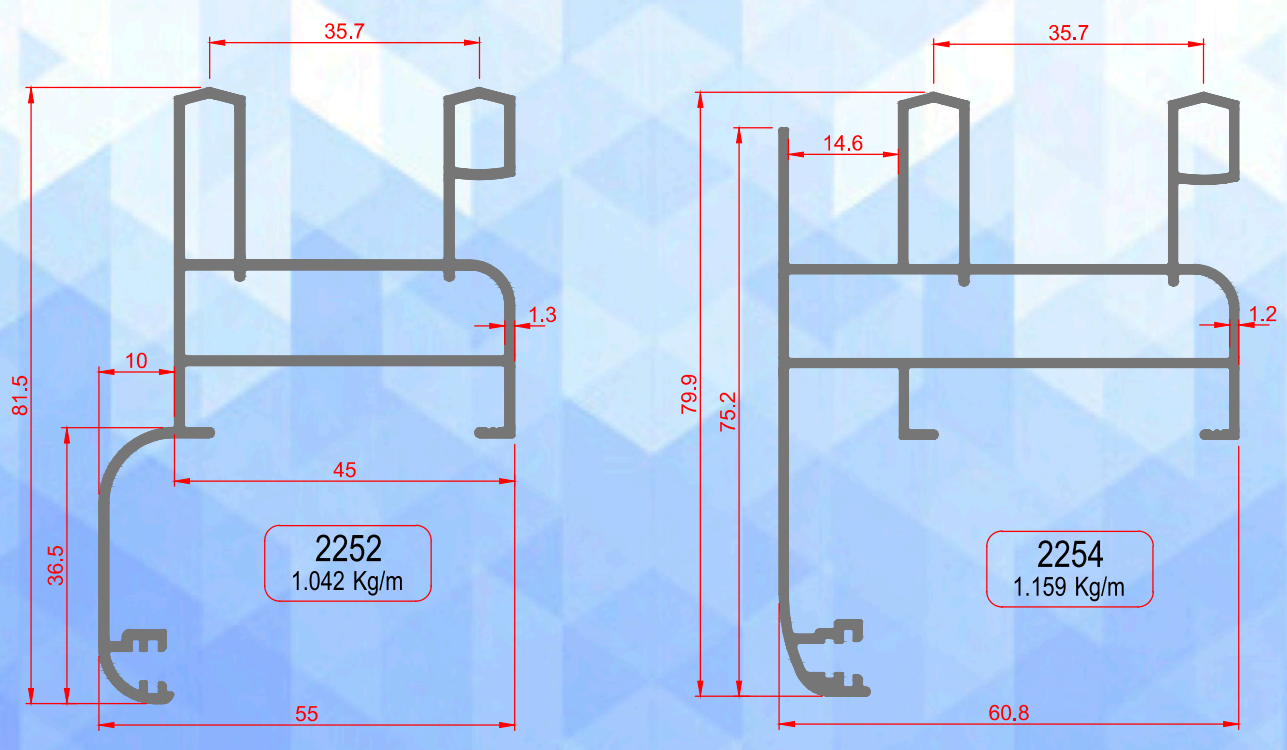
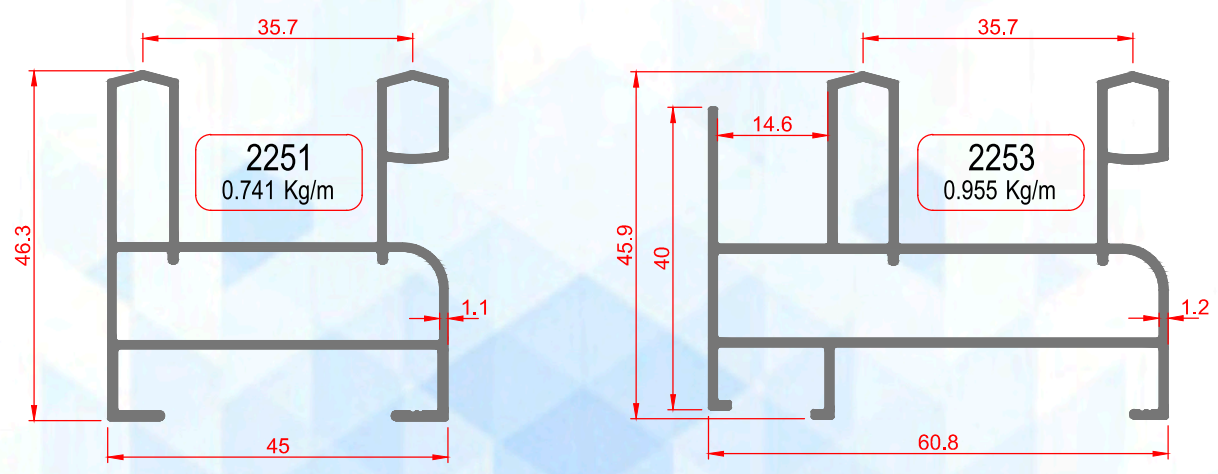
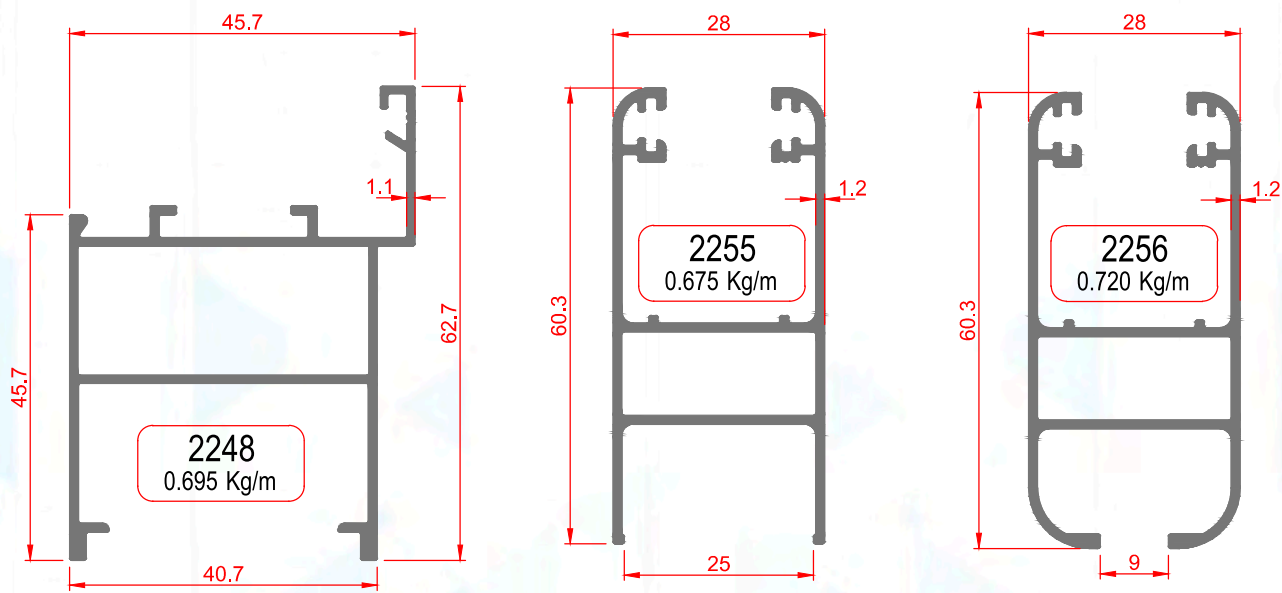


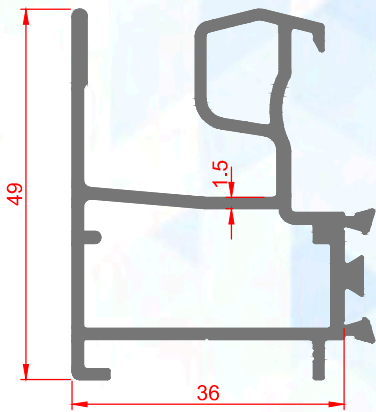
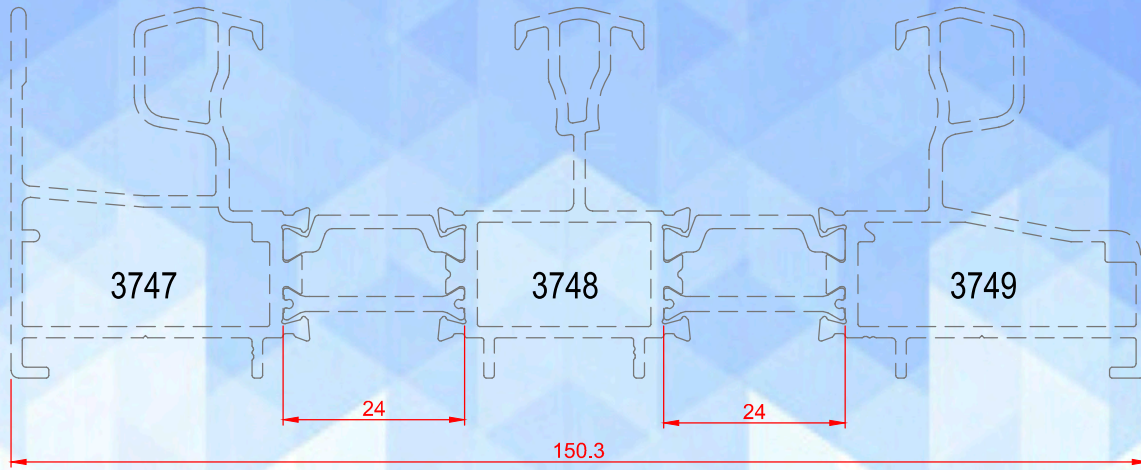
1623
0.165 Kg/m



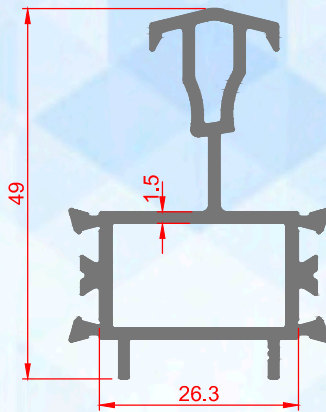
1625
0.152 Kg/m

Sliding System Profiles

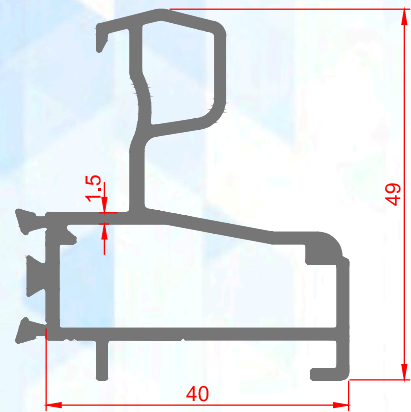




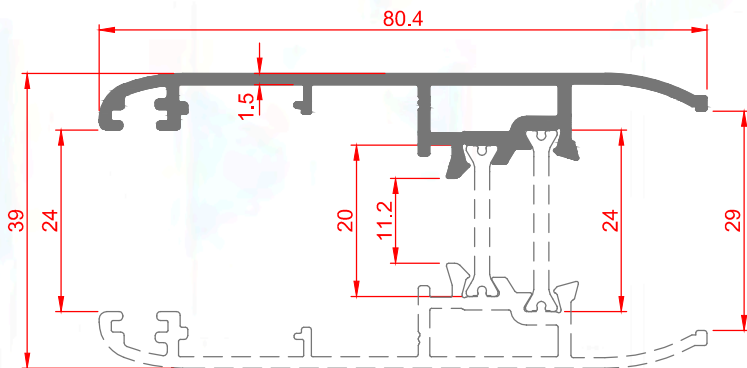
3747
0.941 Kg/m



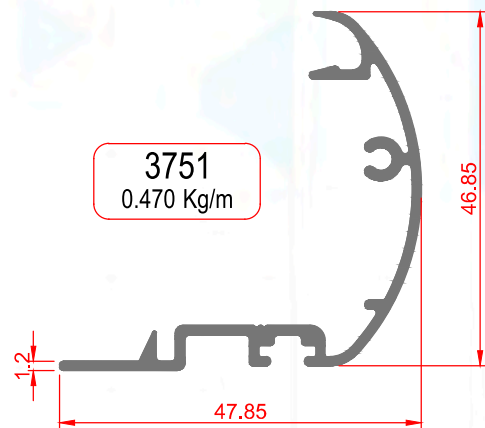
3748
0.773 Kg/m



3749
0.845 Kg/m

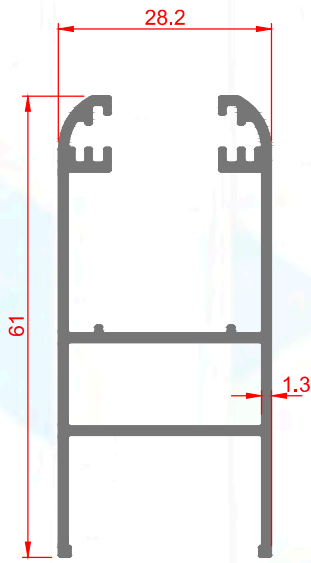


3750
0.616 Kg/m

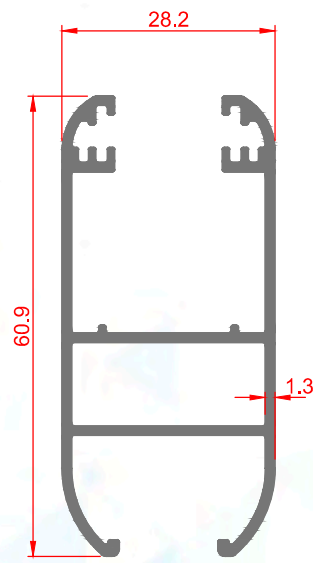


3751
0.470 Kg/m

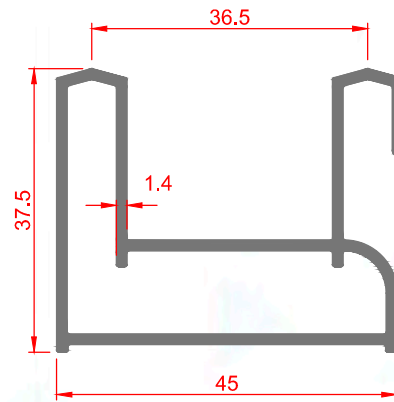
Siding System Profiles



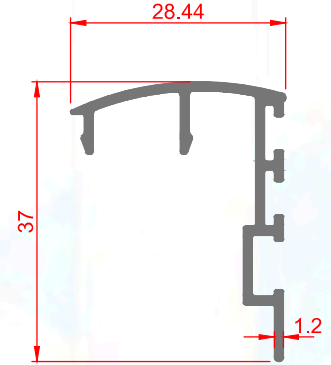
1119
0.729 Kg/m



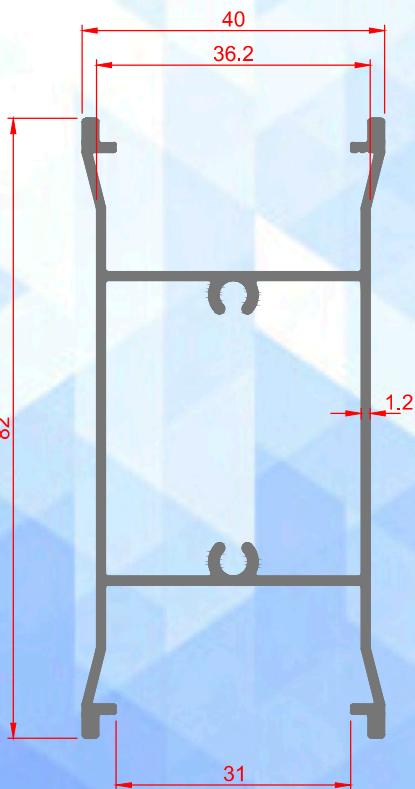
1120
0.751 Kg/m



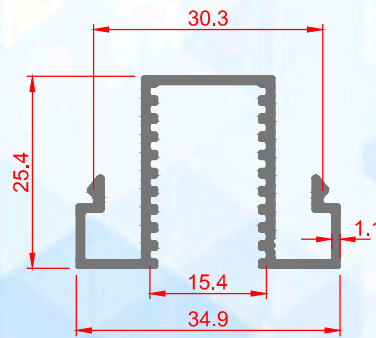
1118
0.748 Kg/m



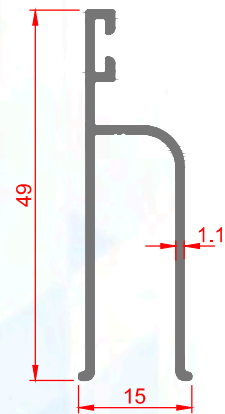
1121
0.315 Kg/m



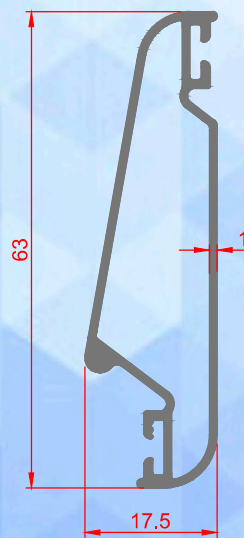
2258
0.906 Kg/m



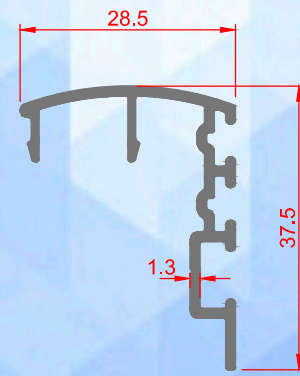
2250
0.406 Kg/m



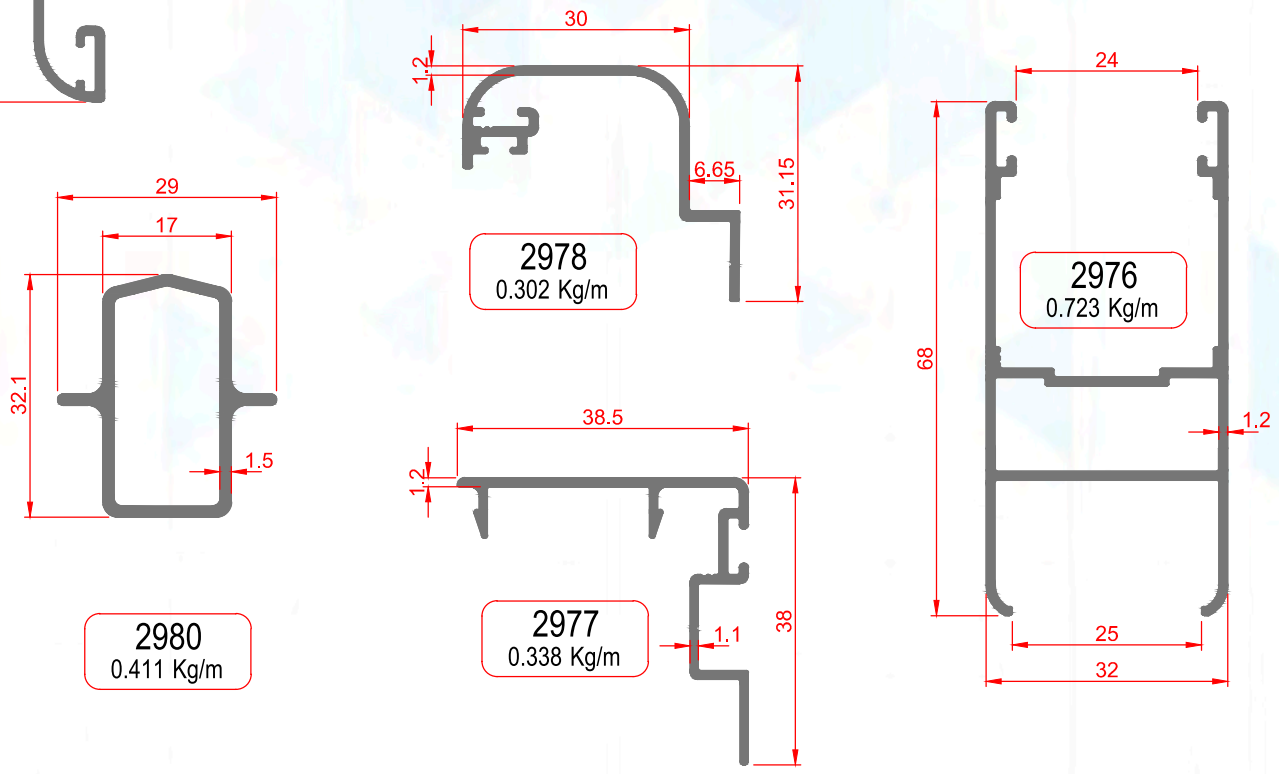
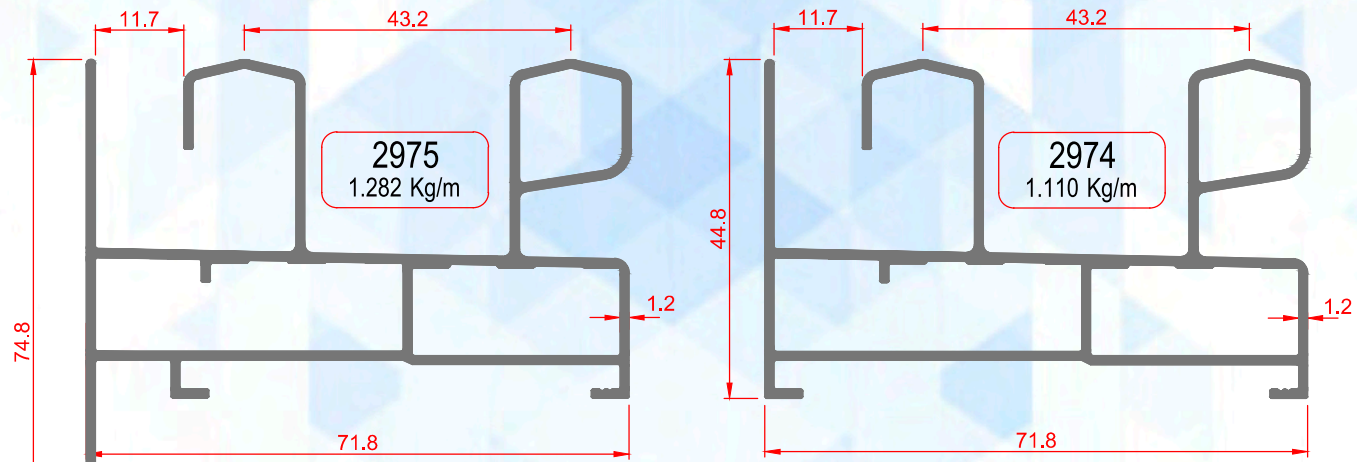
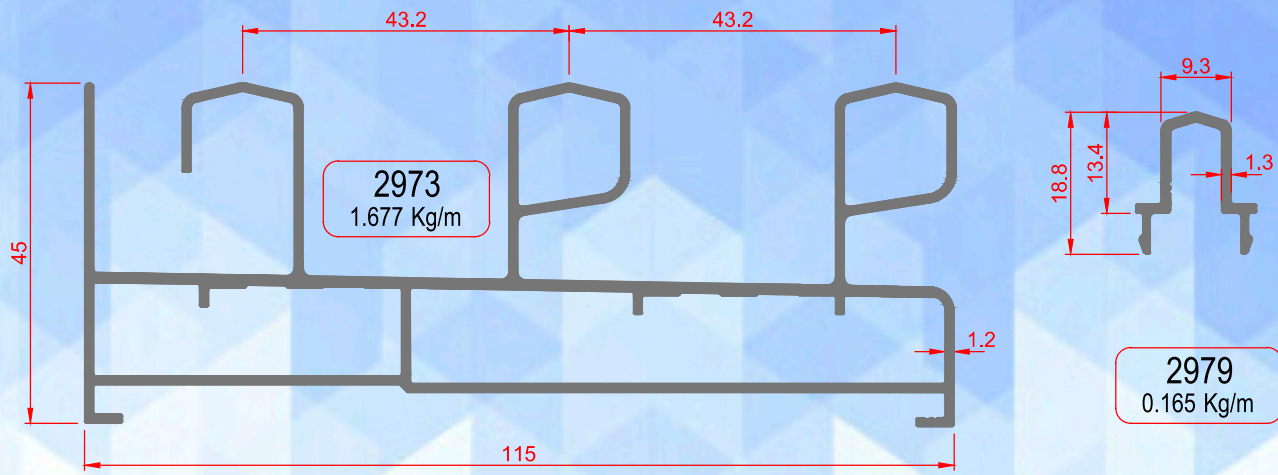
2249
0.303 Kg/m

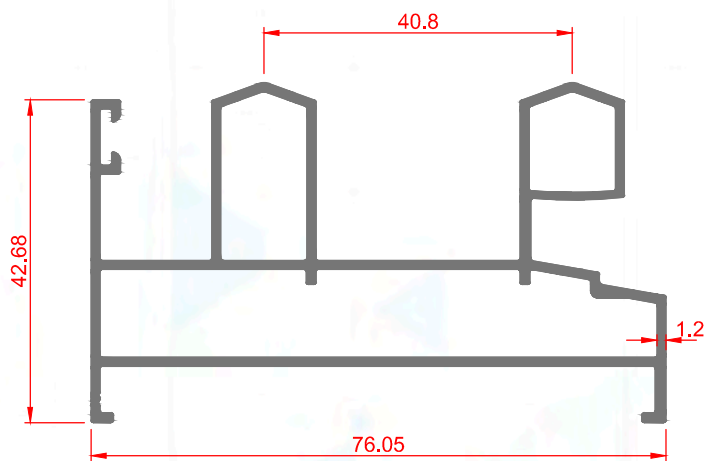


2259
0.477 Kg/m

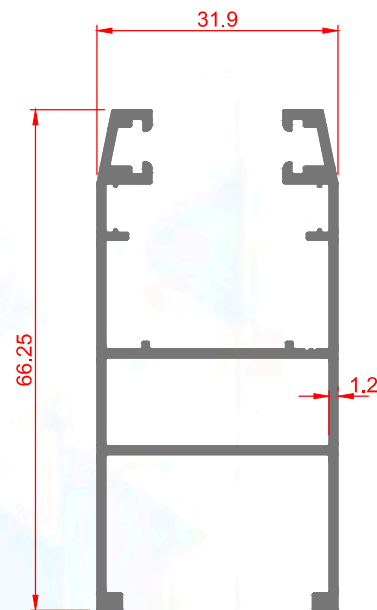


2257
0.345 Kg/m

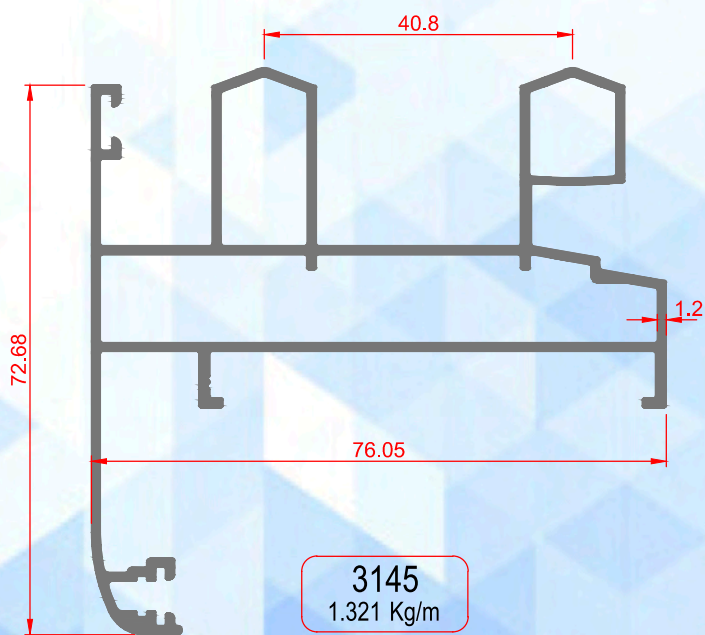




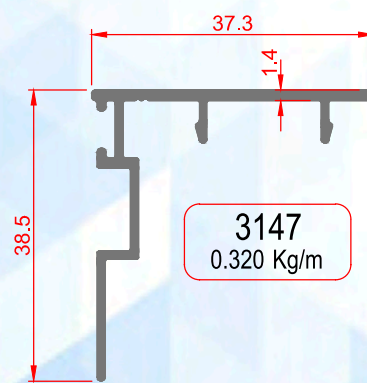
3144
1.105 Kg/m



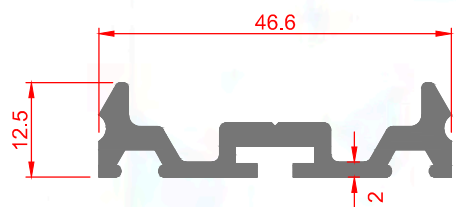
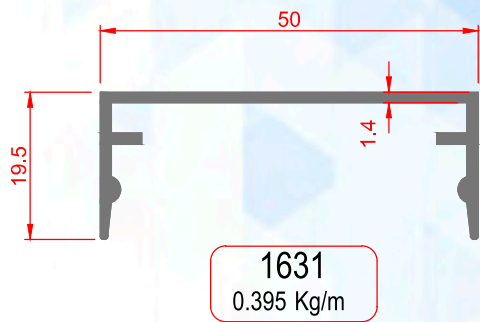
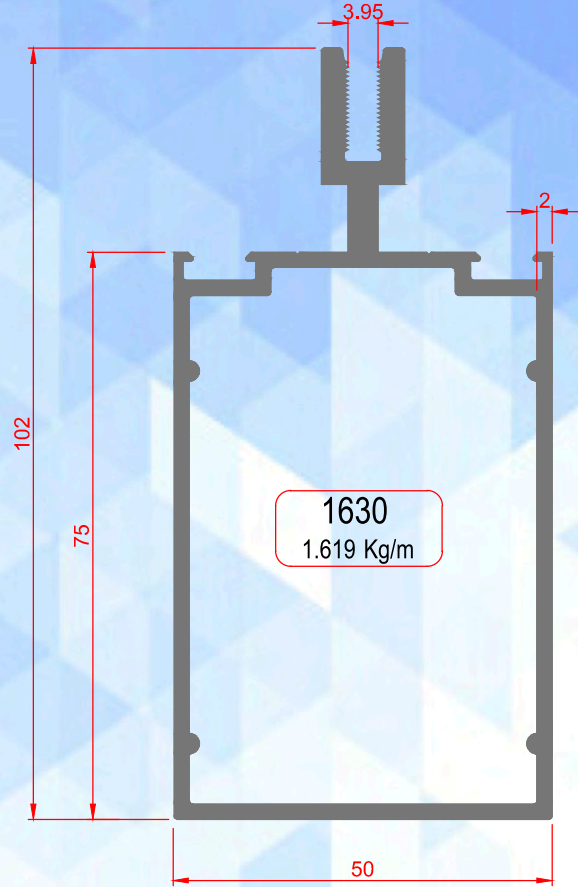
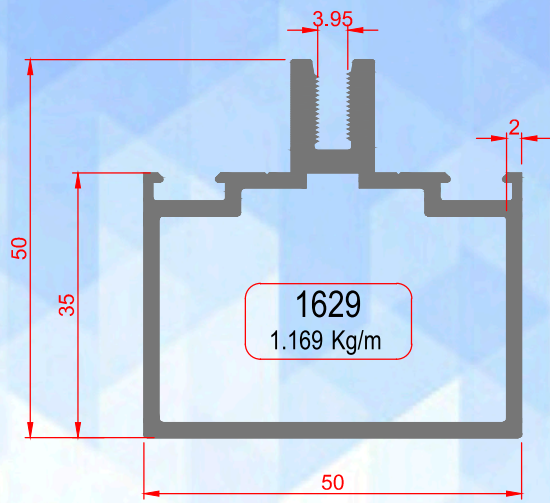
3146
0.788 Kg/m

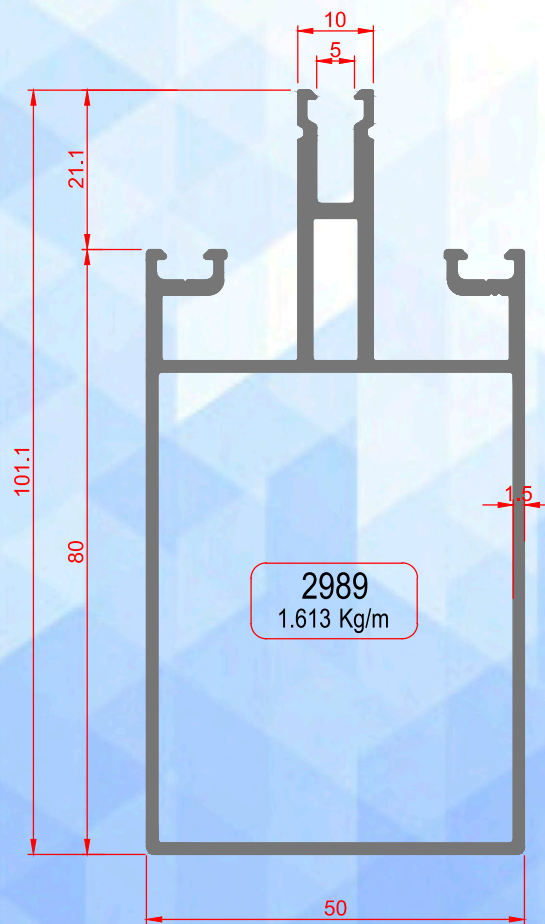
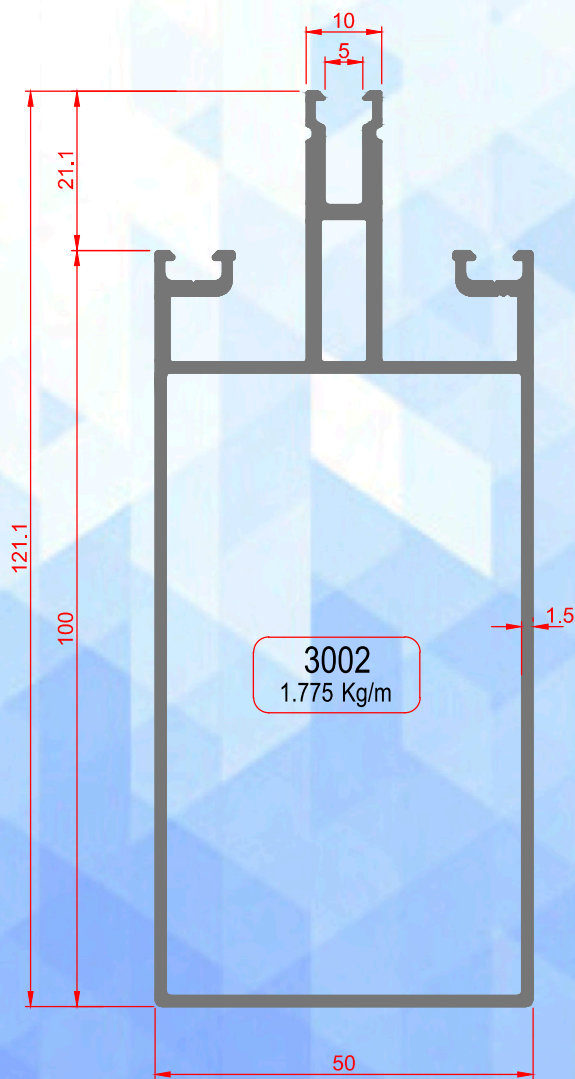
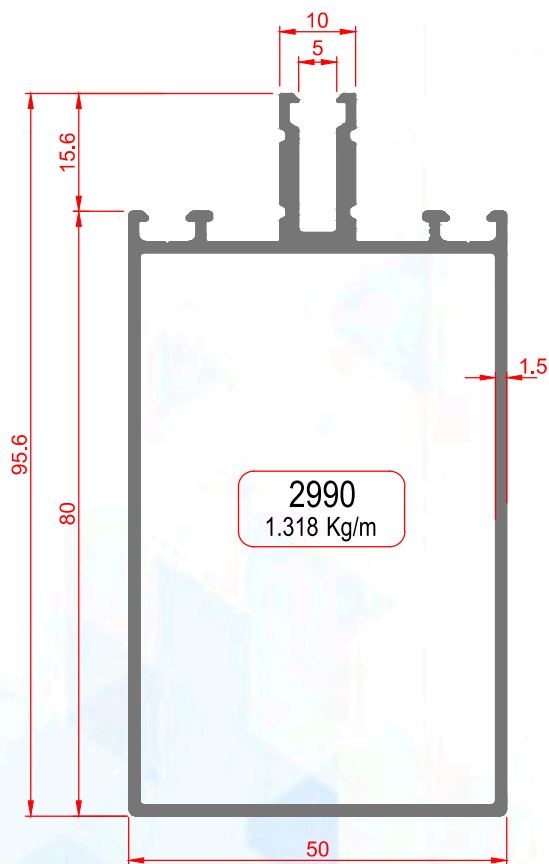
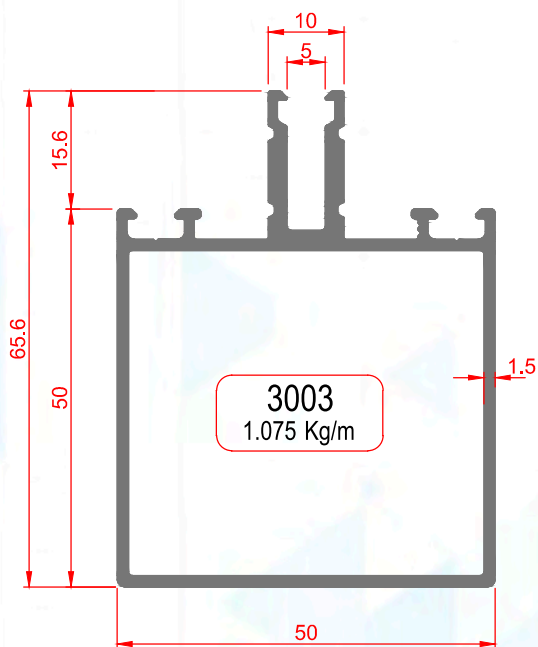


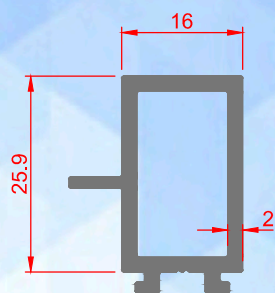
3145
1.321 Kg/m



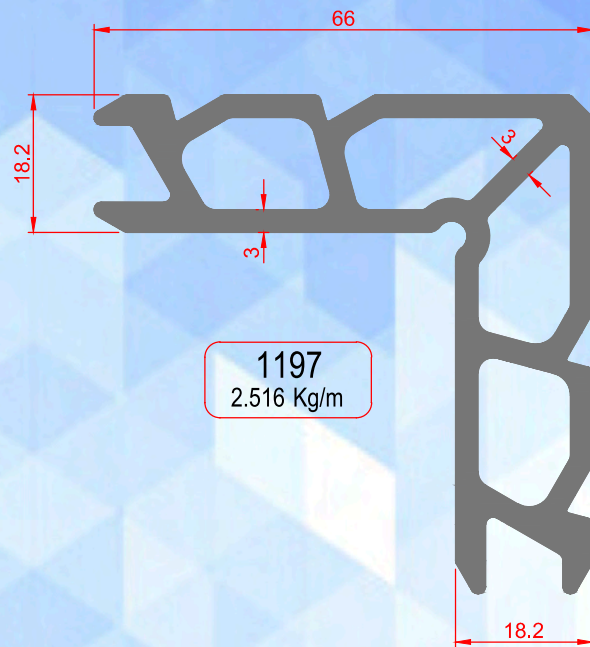
3147
0.320 Kg/m



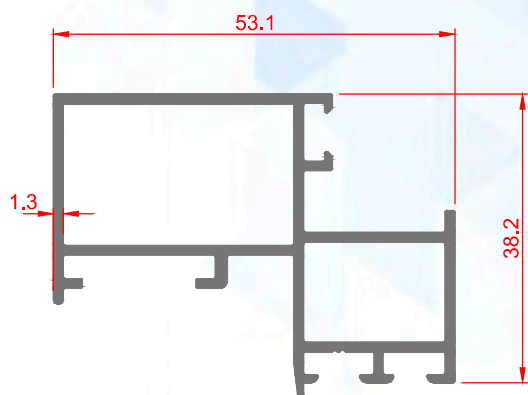




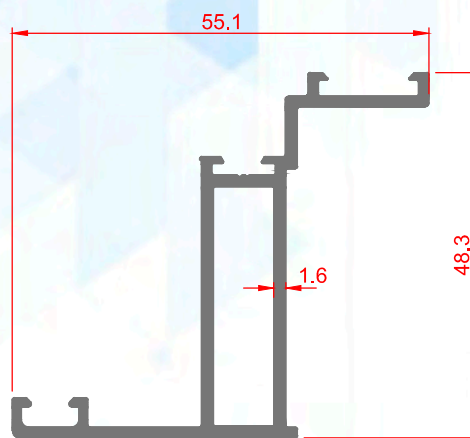
3131
0.476 Kg/m



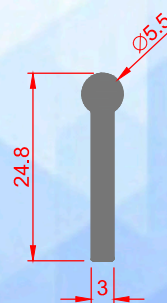
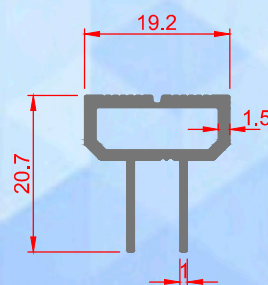
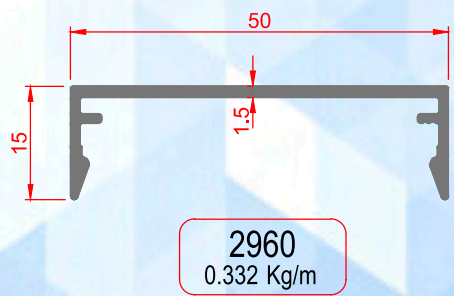
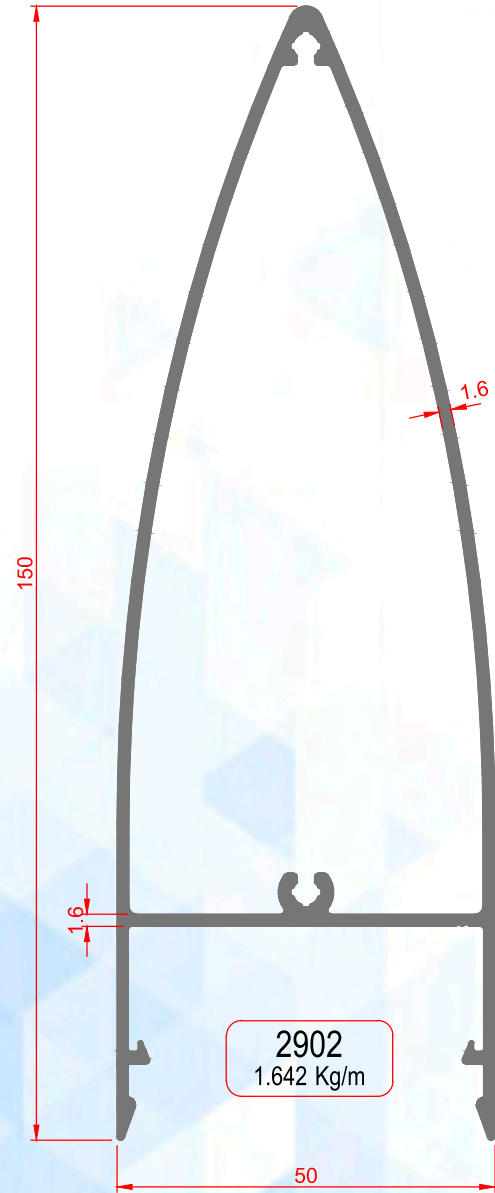
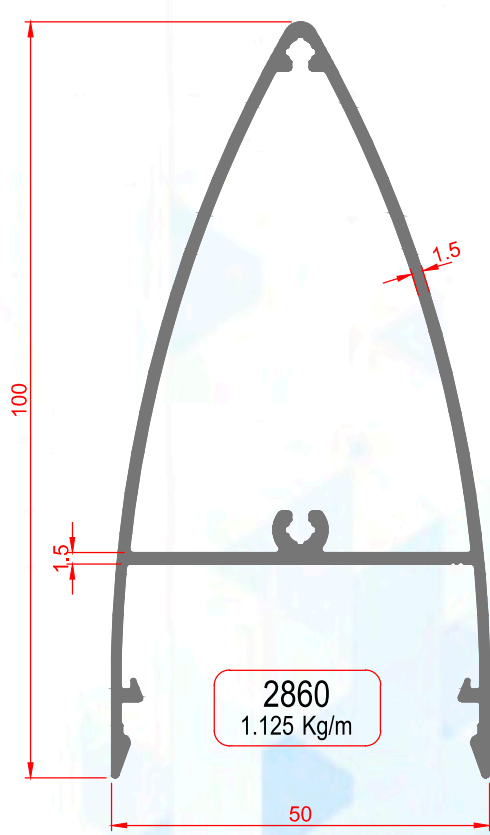
1197
2.516 Kg/m

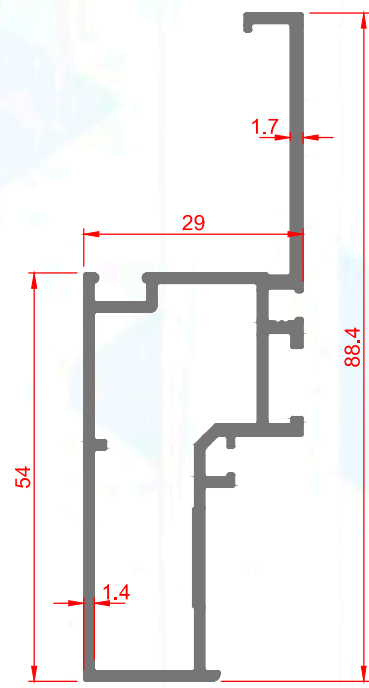
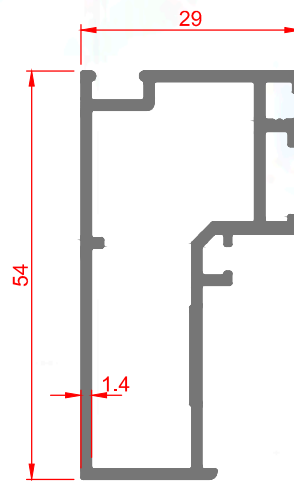
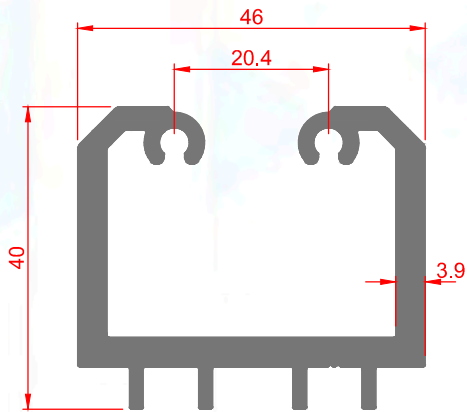
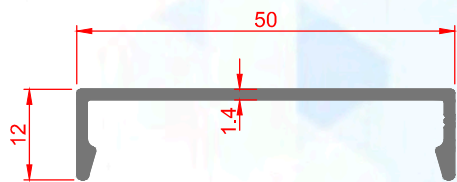
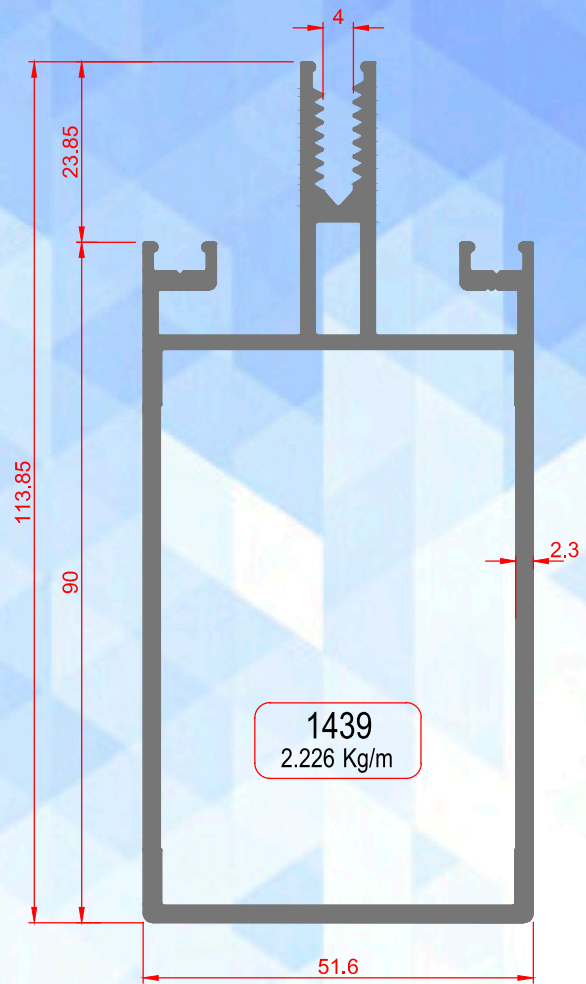
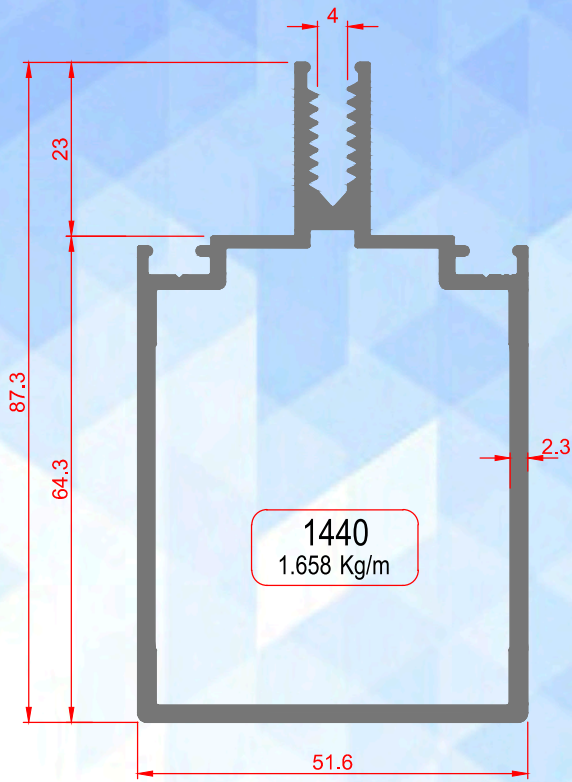


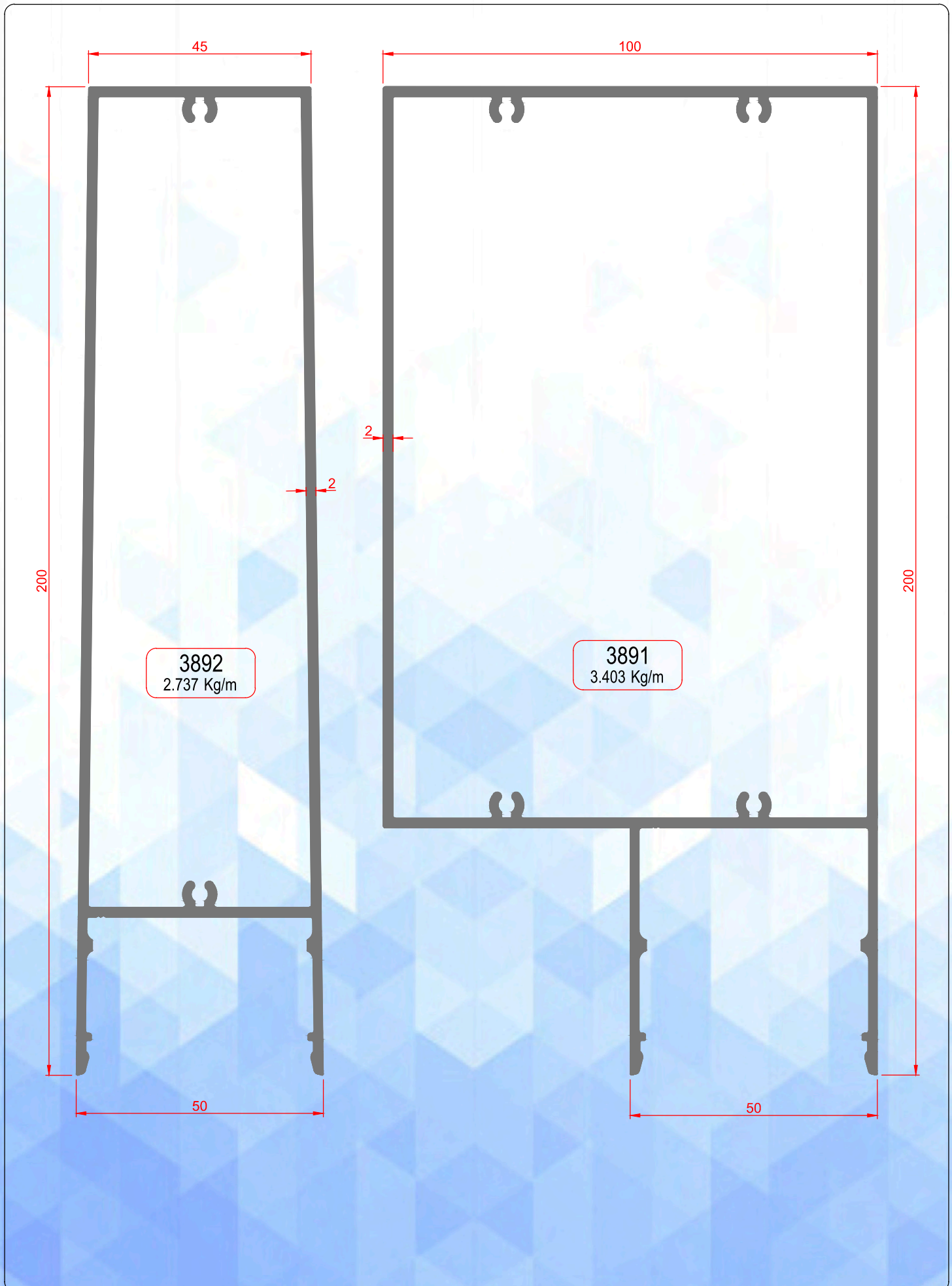
3129
0.760 Kg/m

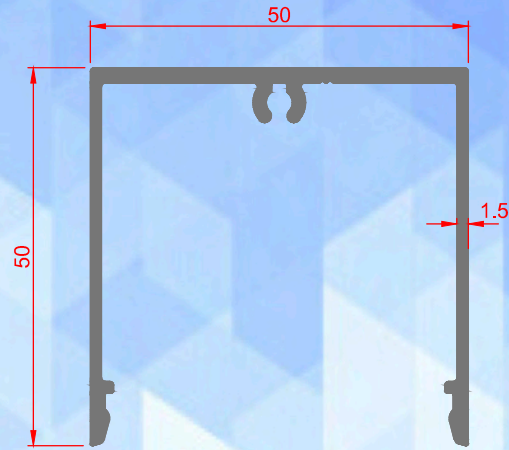
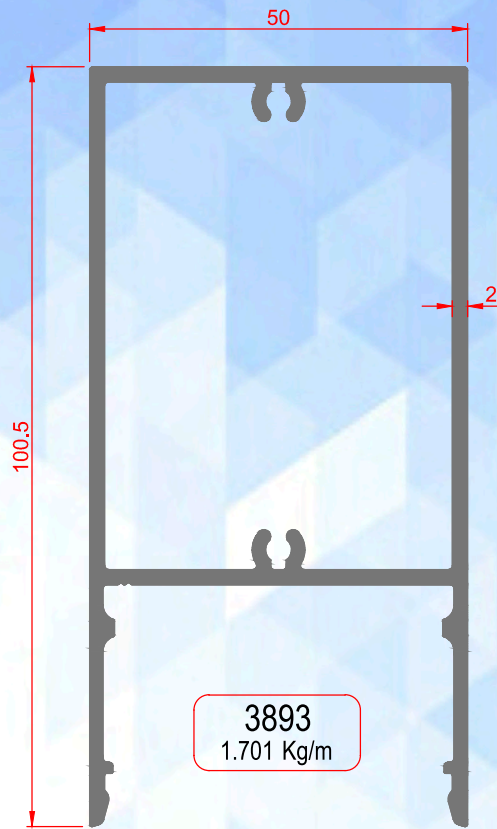


3130
0.664 Kg/m

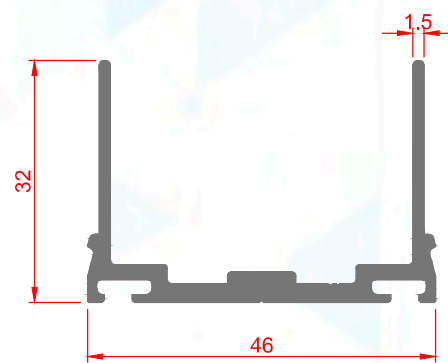
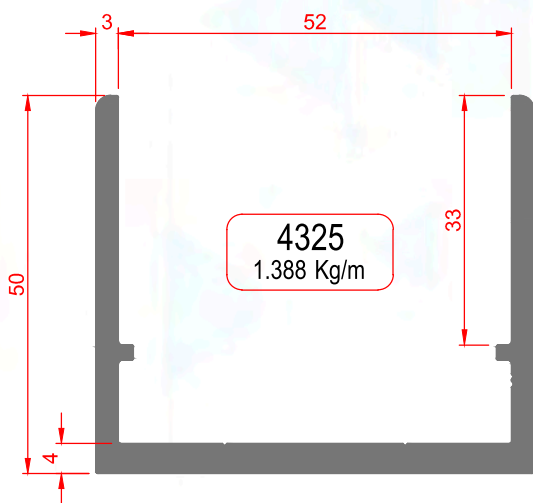




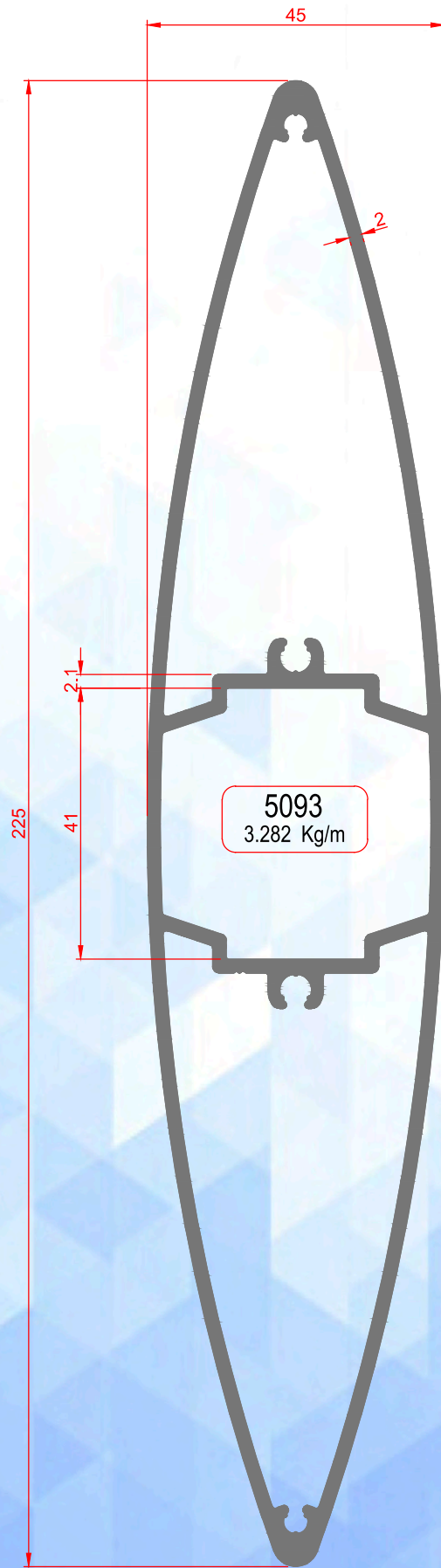
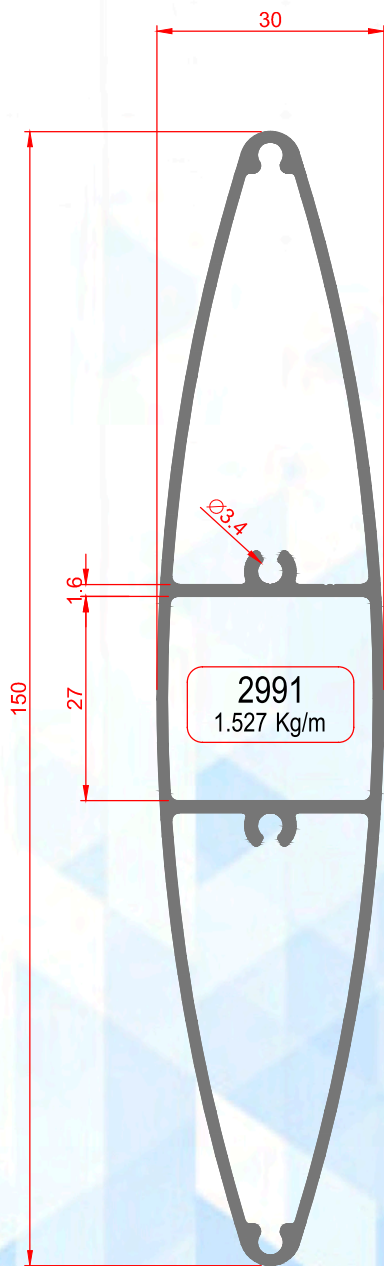


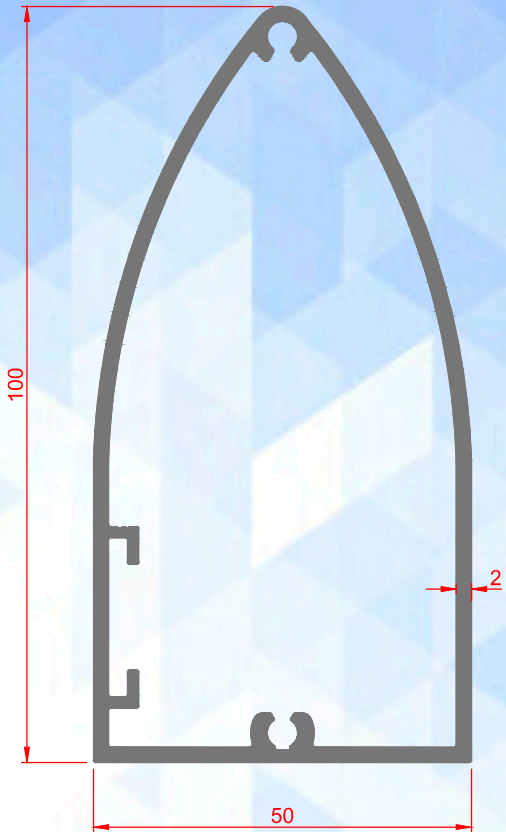


4278
0.747 Kg/m

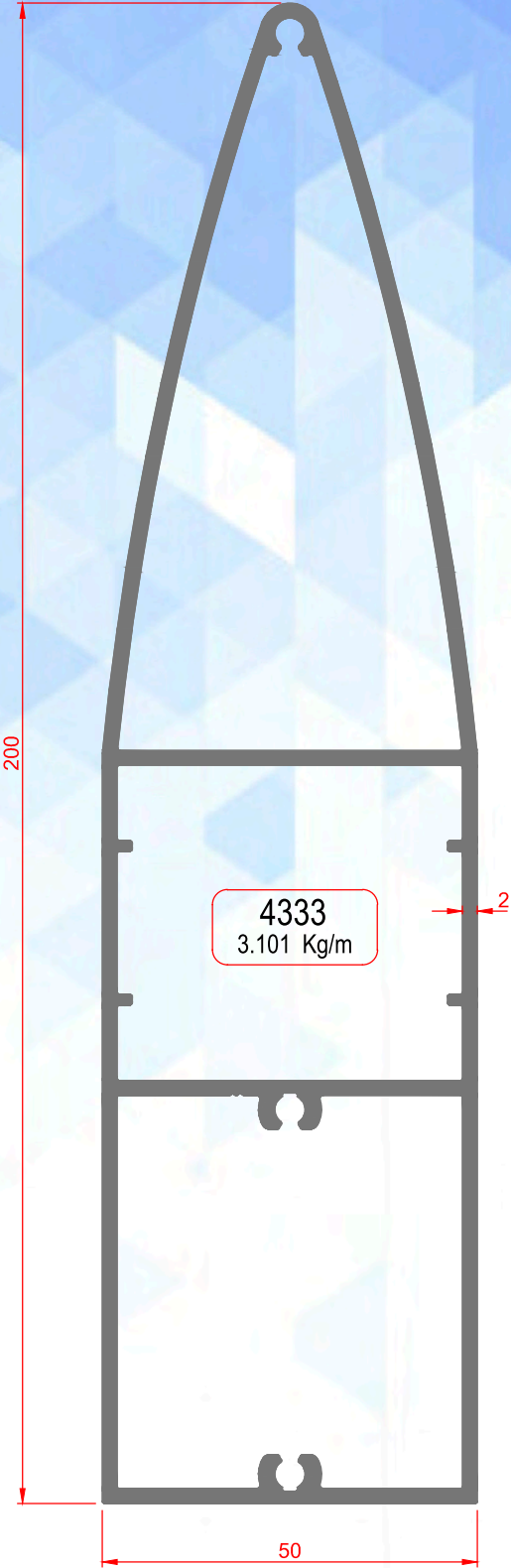


3887
0.629 Kg/m

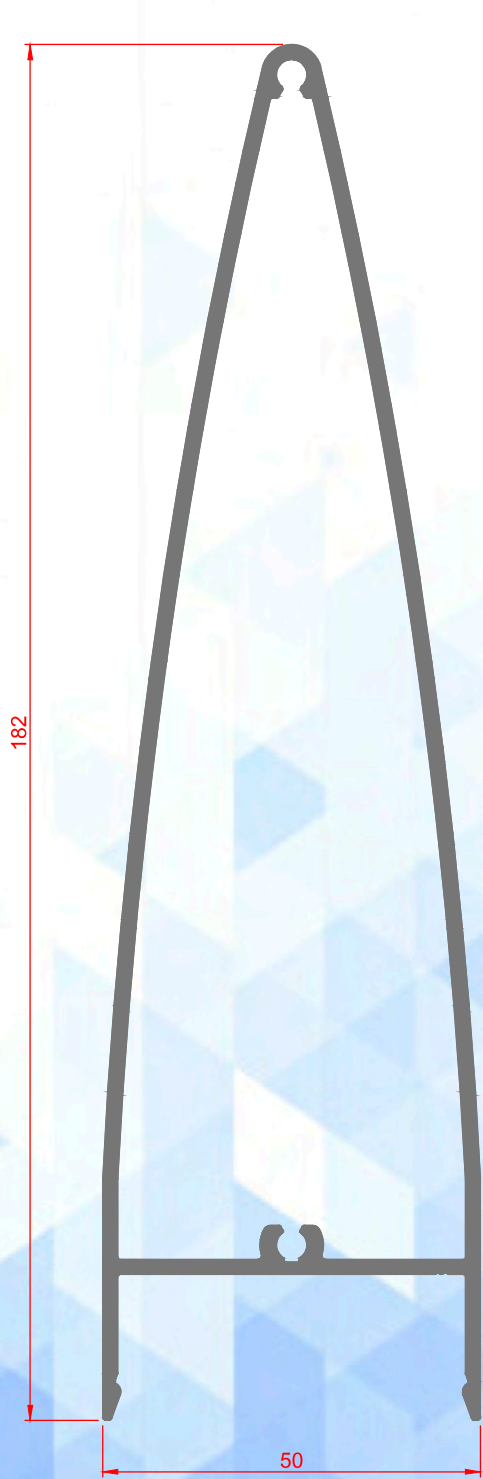




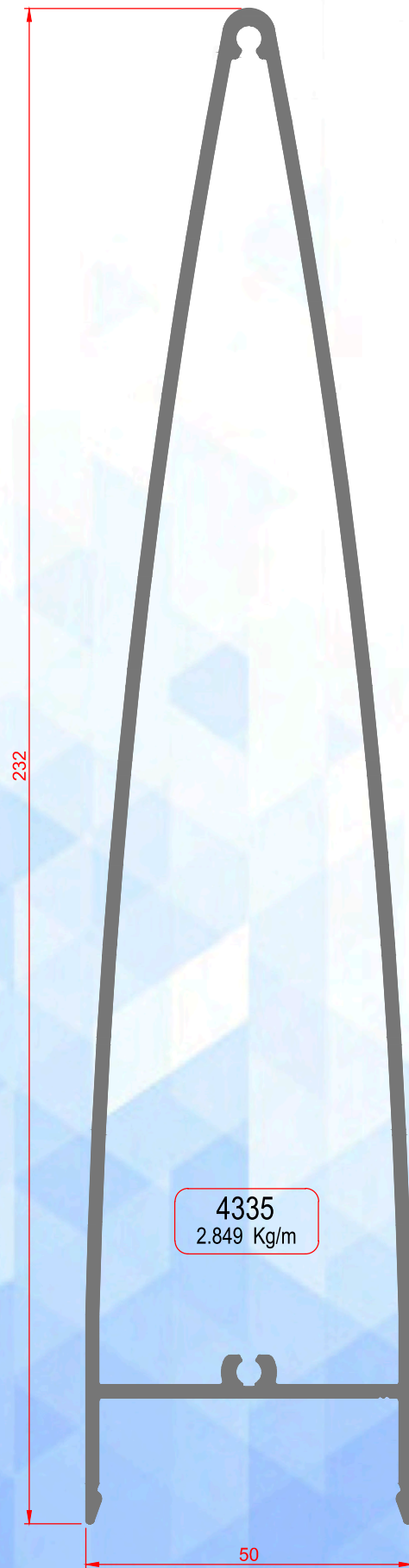
4332
1.535 Kg/m



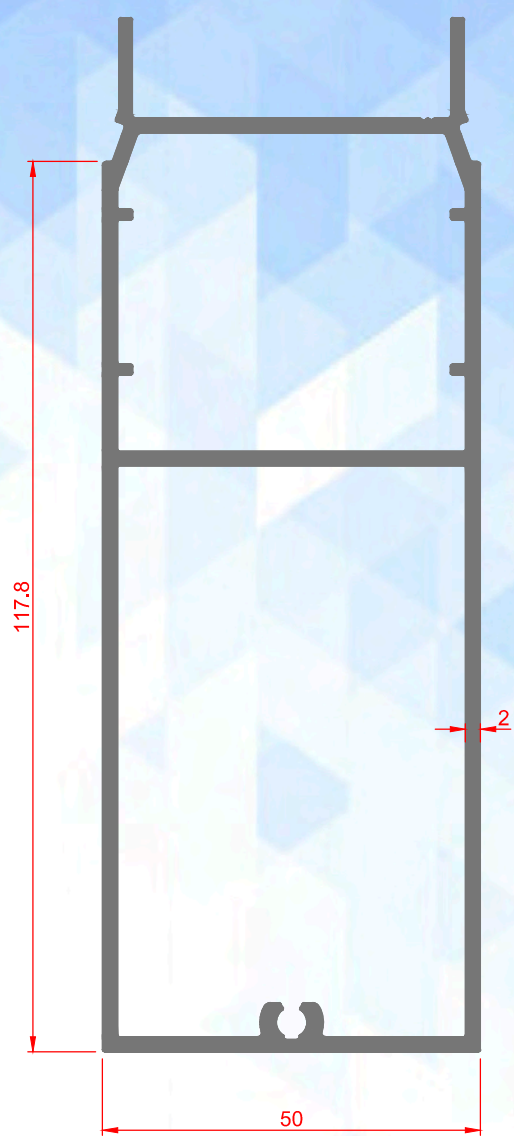
4333
3.101 Kg/m



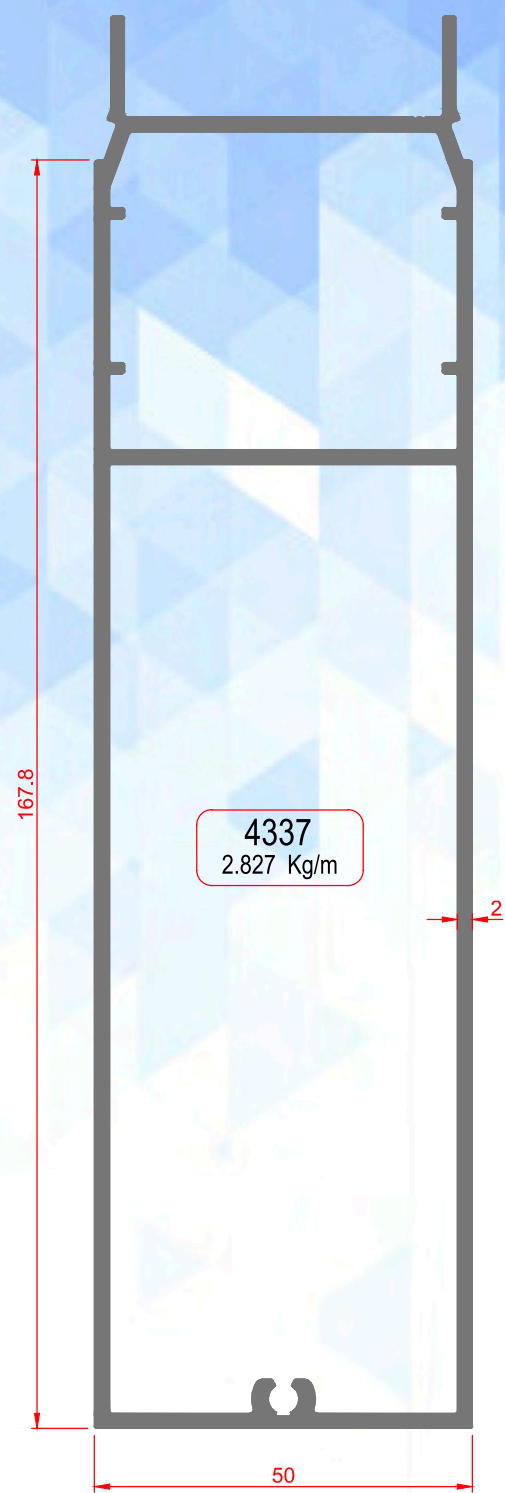
4334
2.305 Kg/m



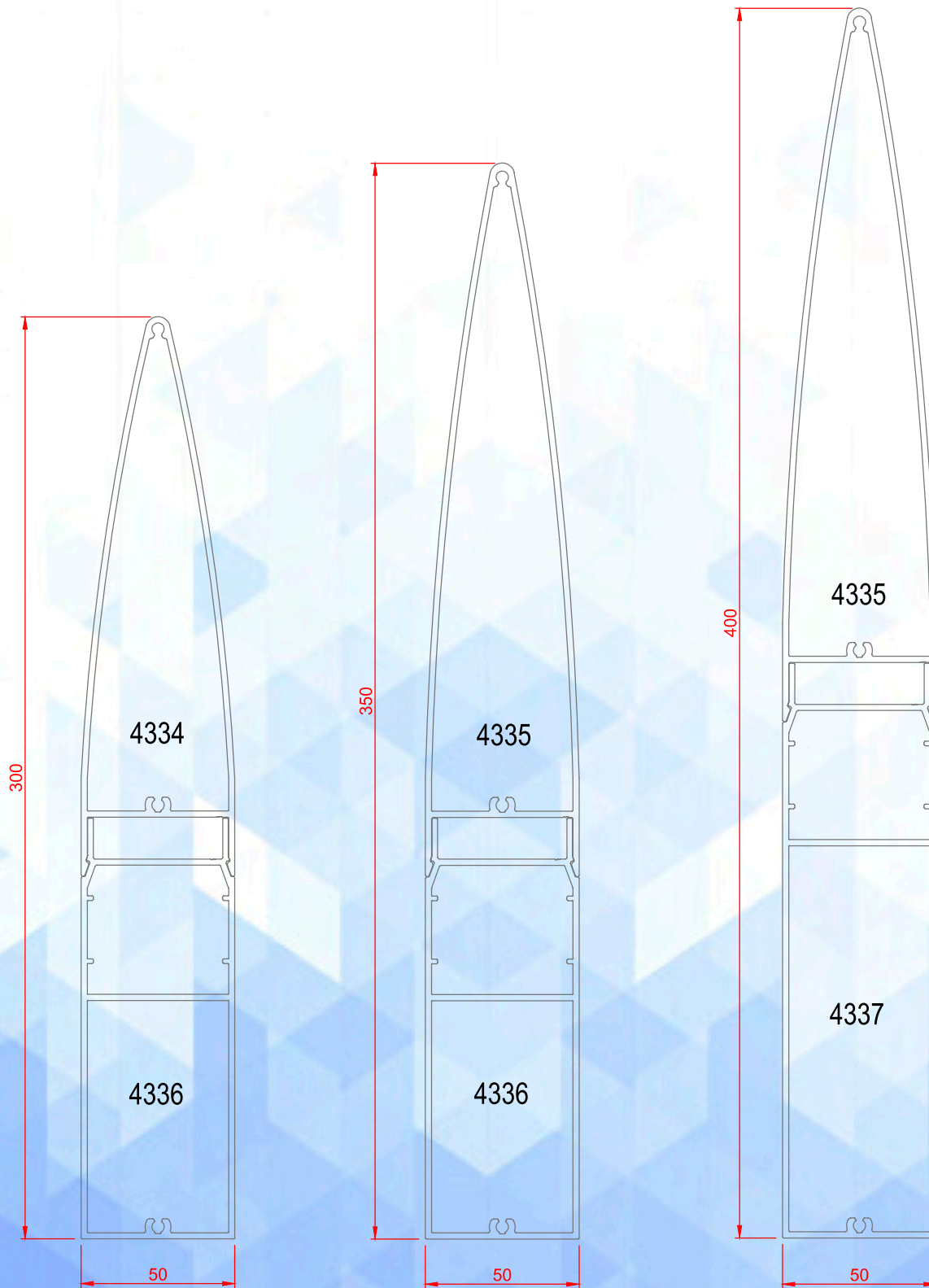
4335
2.849 Kg/m

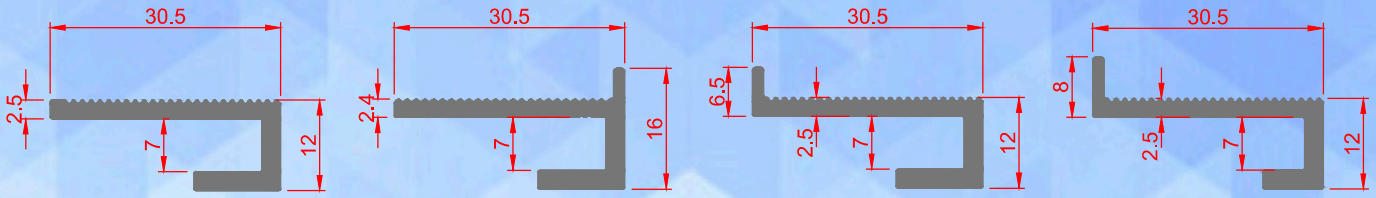


4336
2.287 Kg/m



4337
2.827 Kg/m



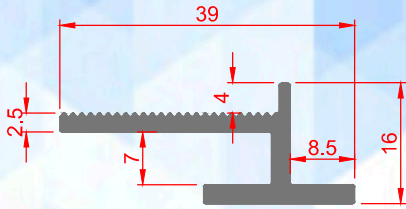


2143
0.313 Kg/m

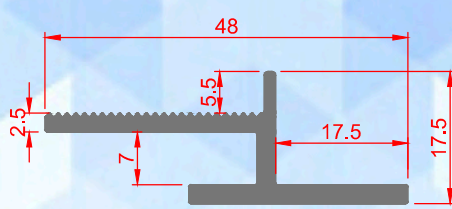
4310
0.326 Kg/m

2140
0.328 Kg/m

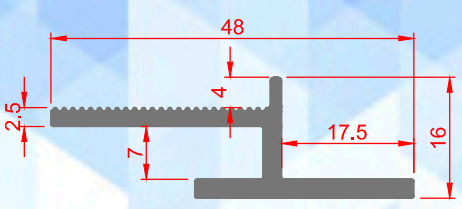
1490
0.310 Kg/m



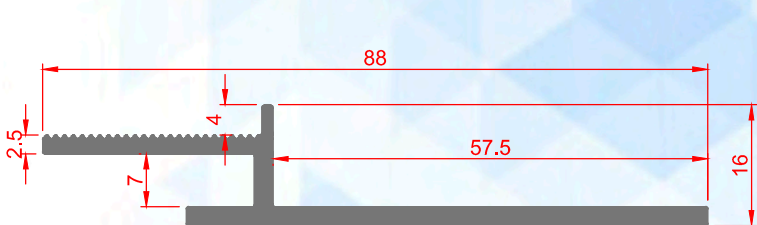
1747
0.385 Kg/m



1495
0.452 Kg/m



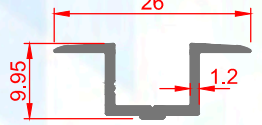
2141
0.446 Kg/m



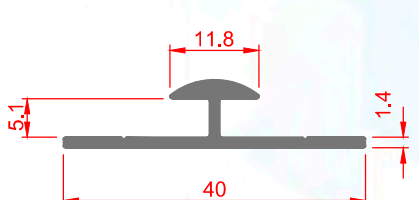
2531
0.716 Kg/m



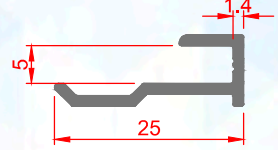
1633
0.080 Kg/m



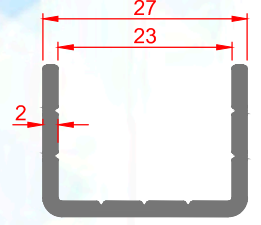
3532
0.132 Kg/m



1098
0.229 Kg/m



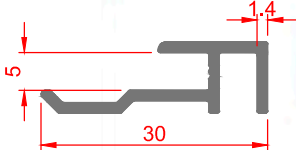
3025
0.155 Kg/m



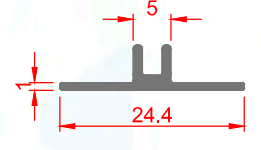
4313
0.327 Kg/m



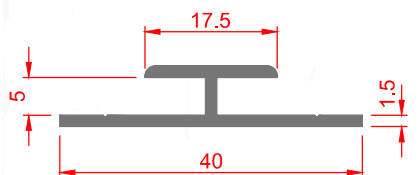
2559
0.232 Kg/m



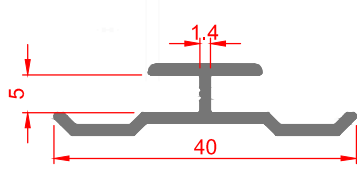
3024
0.202 Kg/m



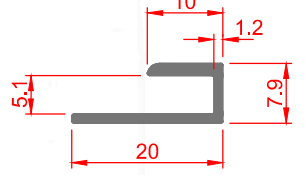
1634
0.105 Kg/m



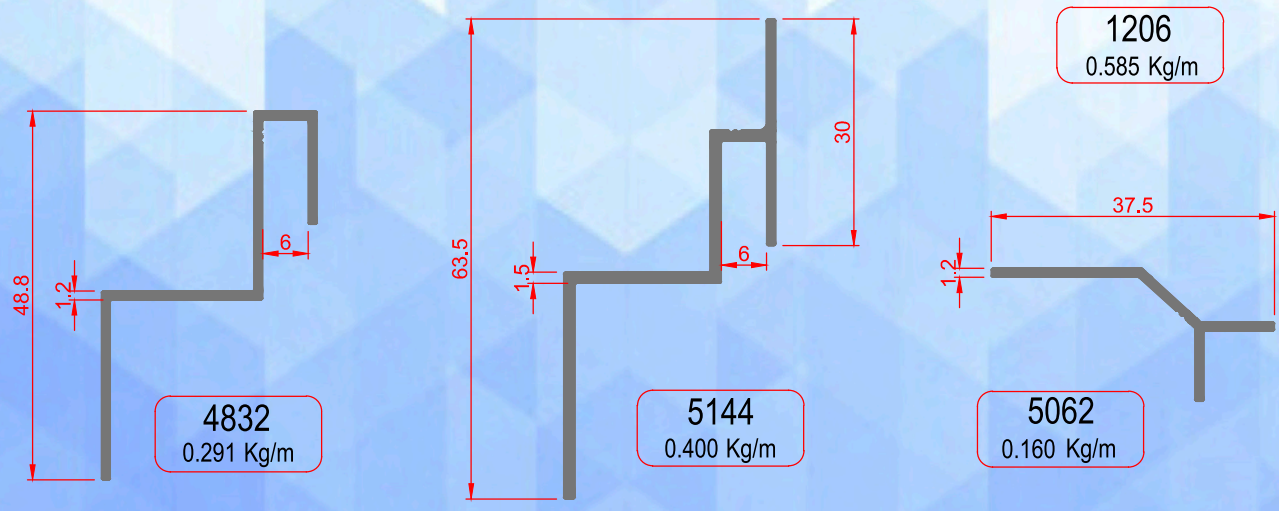
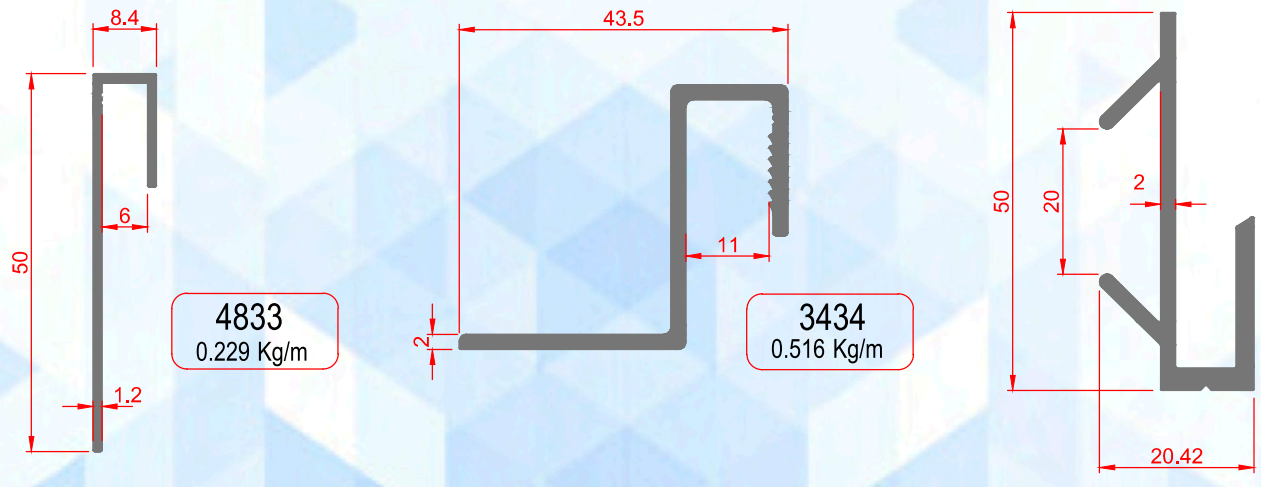
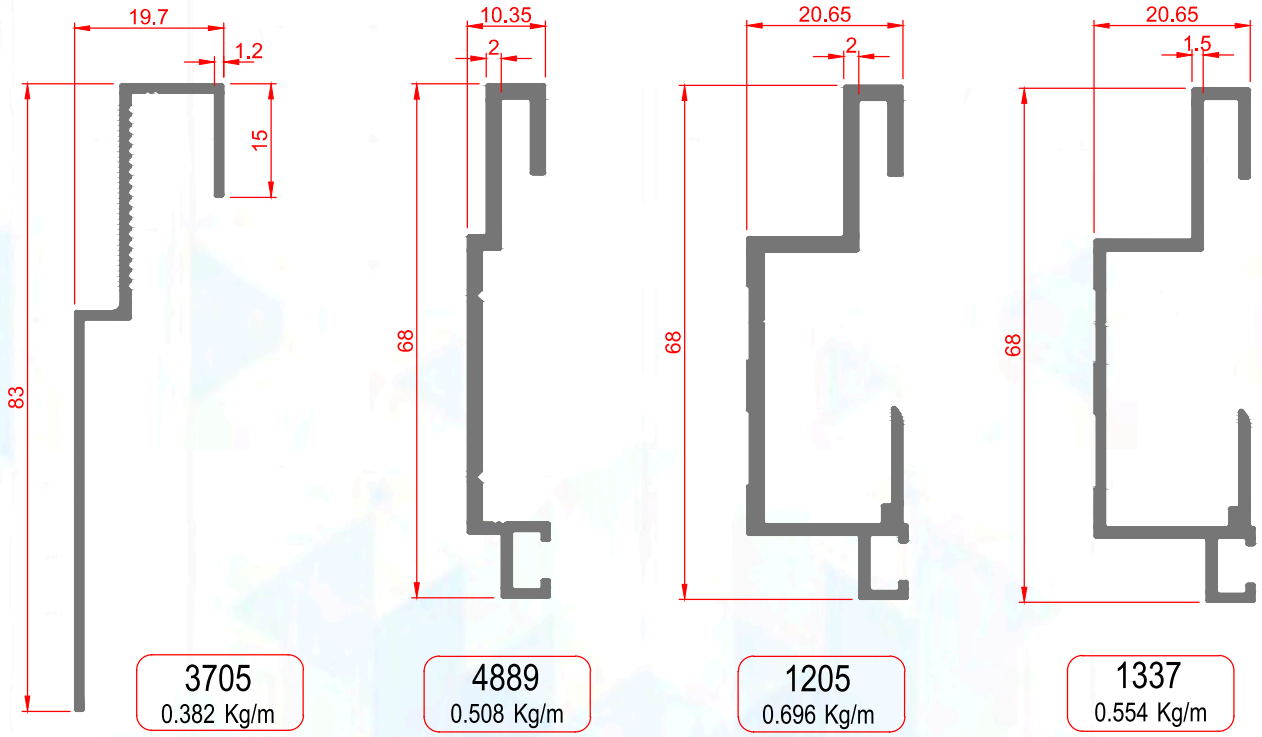
1261
0.250 Kg/m

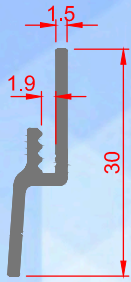


3023
0.234 Kg/m

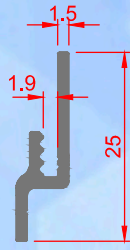


1099
0.123 Kg/m

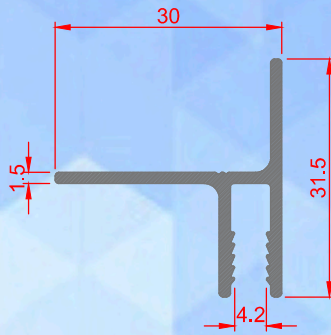




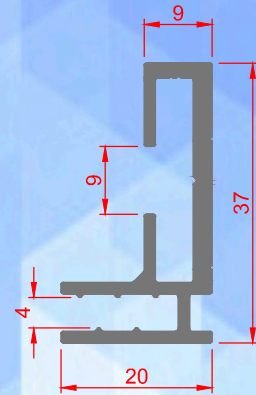
4887
0.168 Kg/m



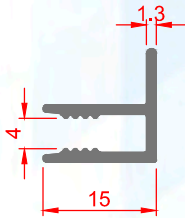
5115
0.148 Kg/m



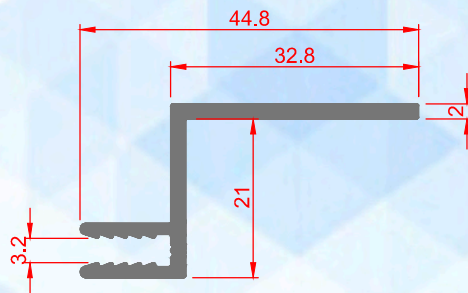
2022
0.319 Kg/m



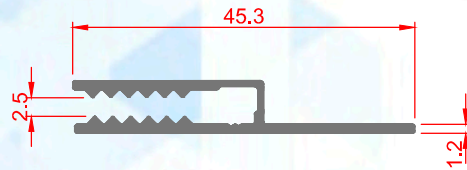
2441
0.492 Kg/m



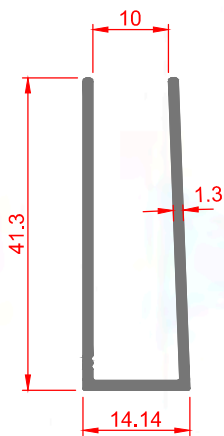
1378
0.153 Kg/m



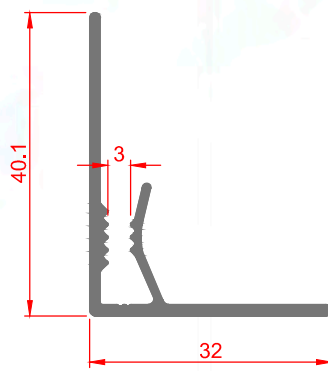
4836
0.400 Kg/m



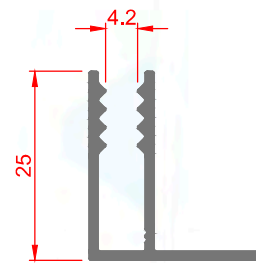
3766
0.272 Kg/m



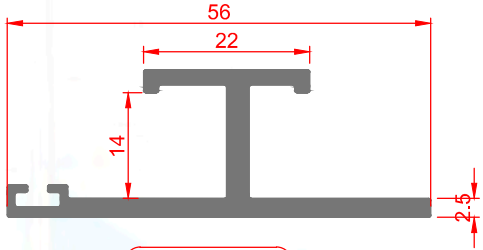
3778
0.329 Kg/m



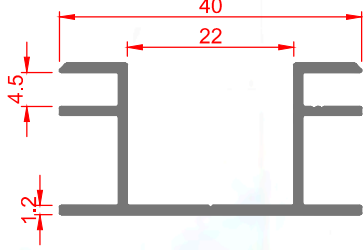
4886
0.340 Kg/m



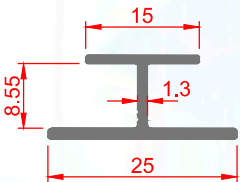
4314
0.255 Kg/m



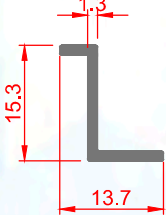
2142
0.630 Kg/m



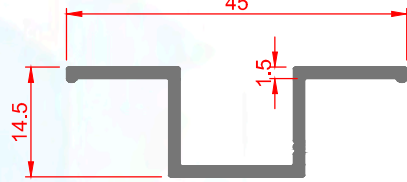
2862
0.350 Kg/m



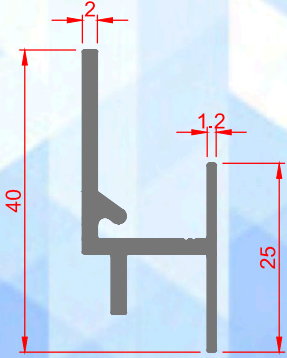
2963
0.168 Kg/m



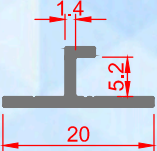
4834
0.097 Kg/m



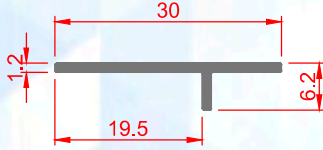
4888
0.290 Kg/m



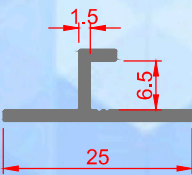
3433
0.373 Kg/m



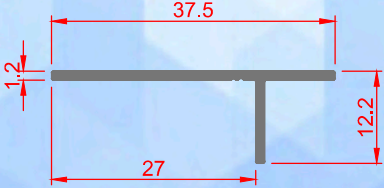
3806
0.109 Kg/m



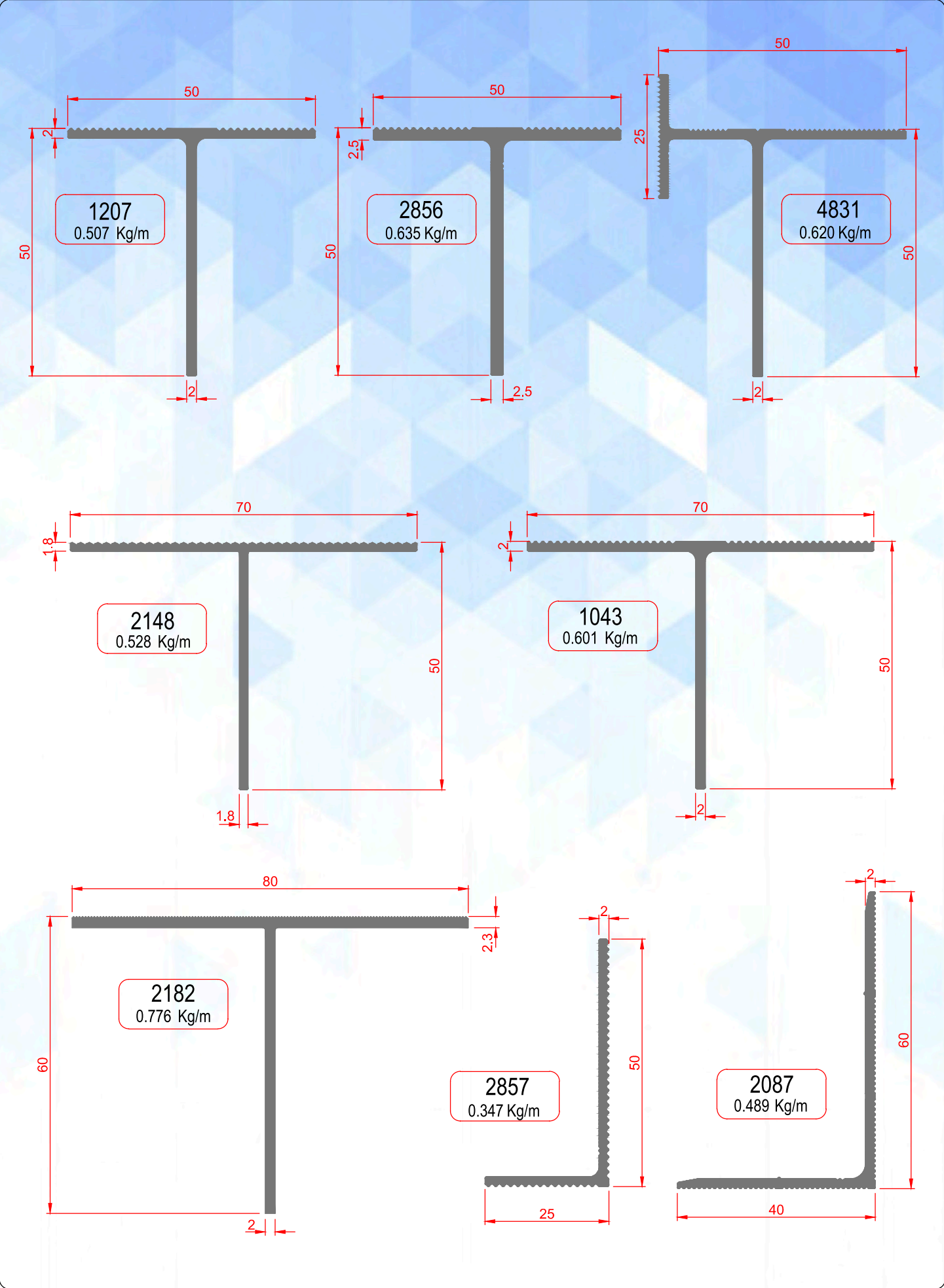
5204
0.113 Kg/m

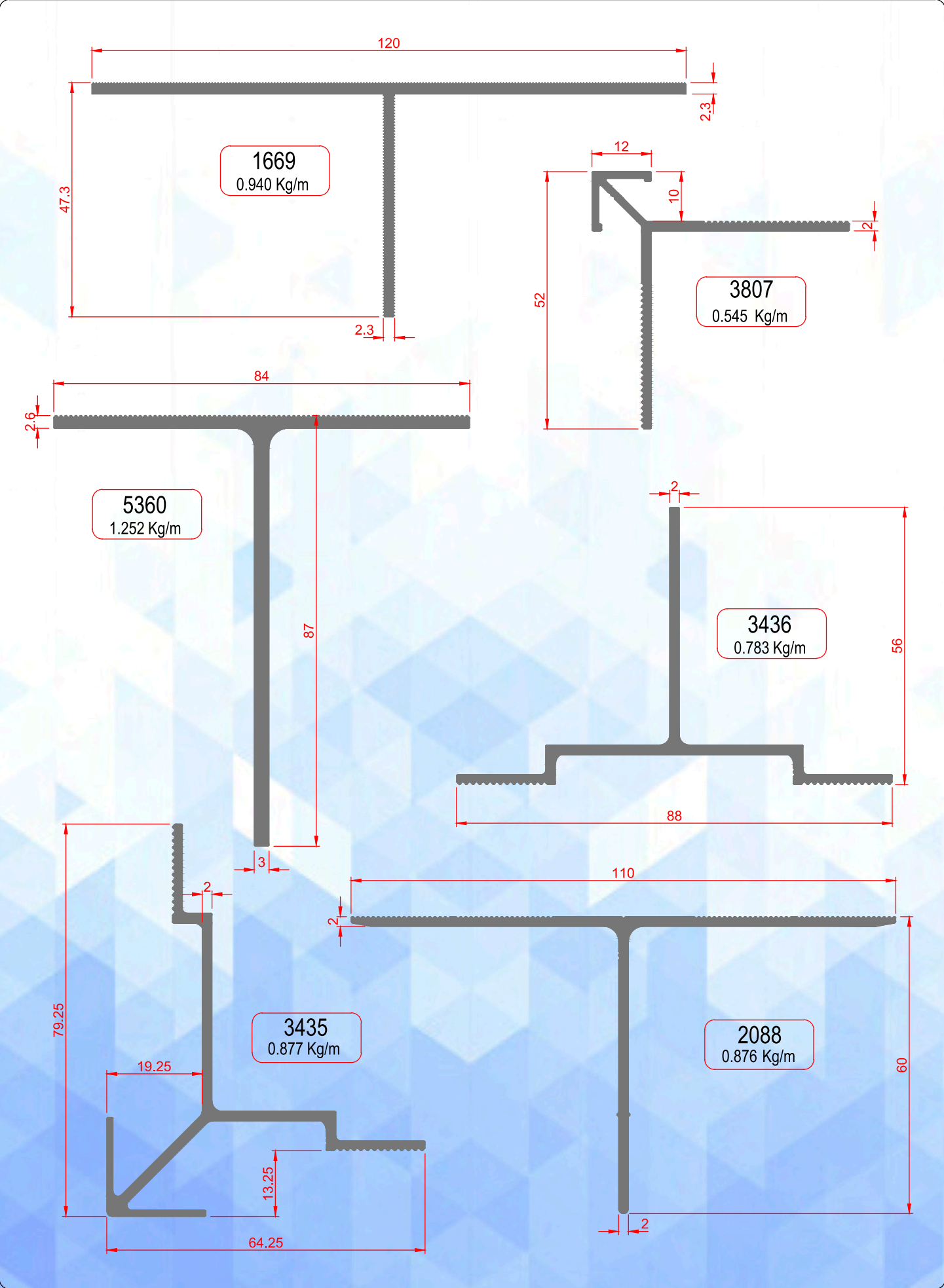


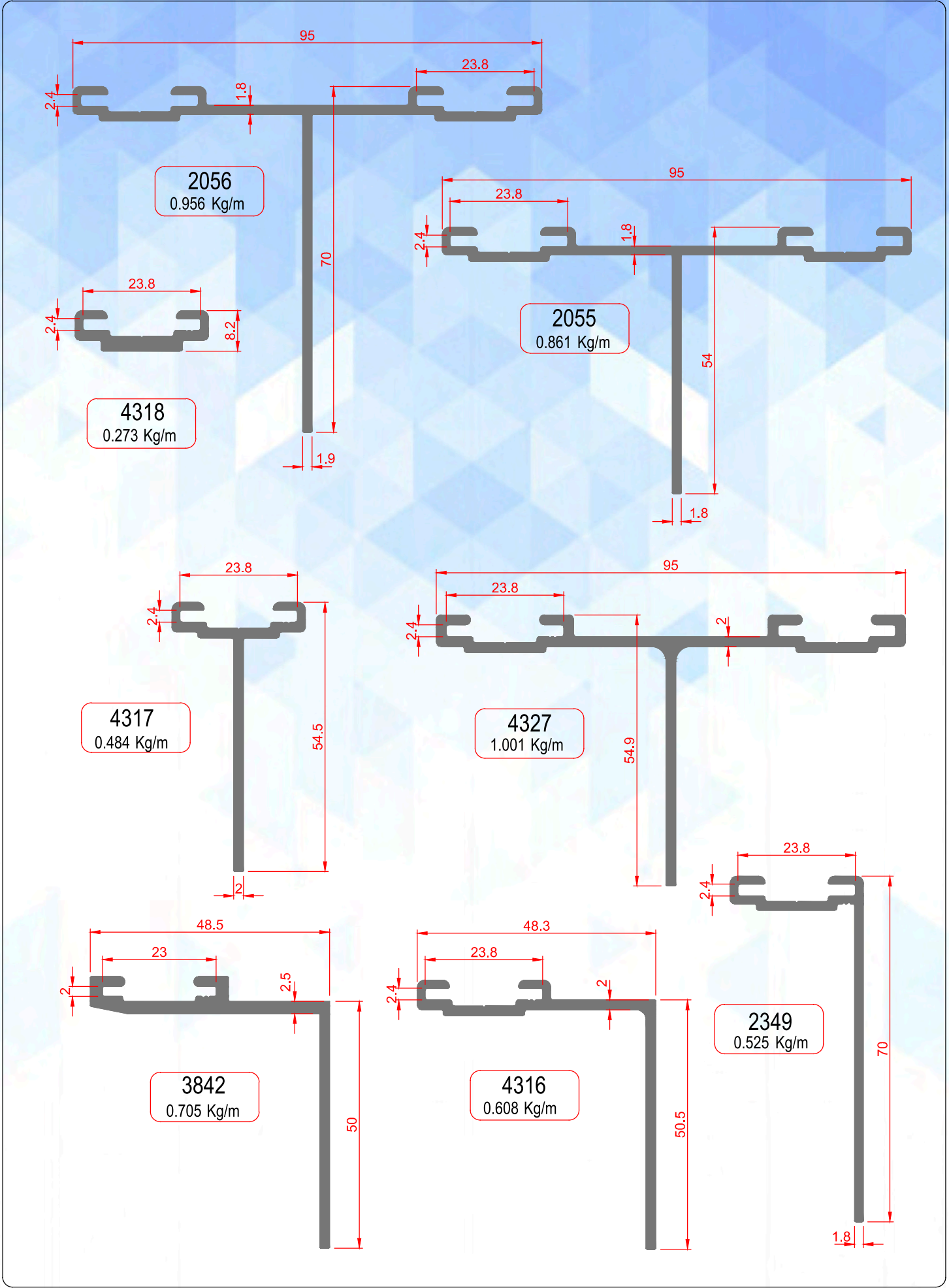
3432
0.147 Kg/m

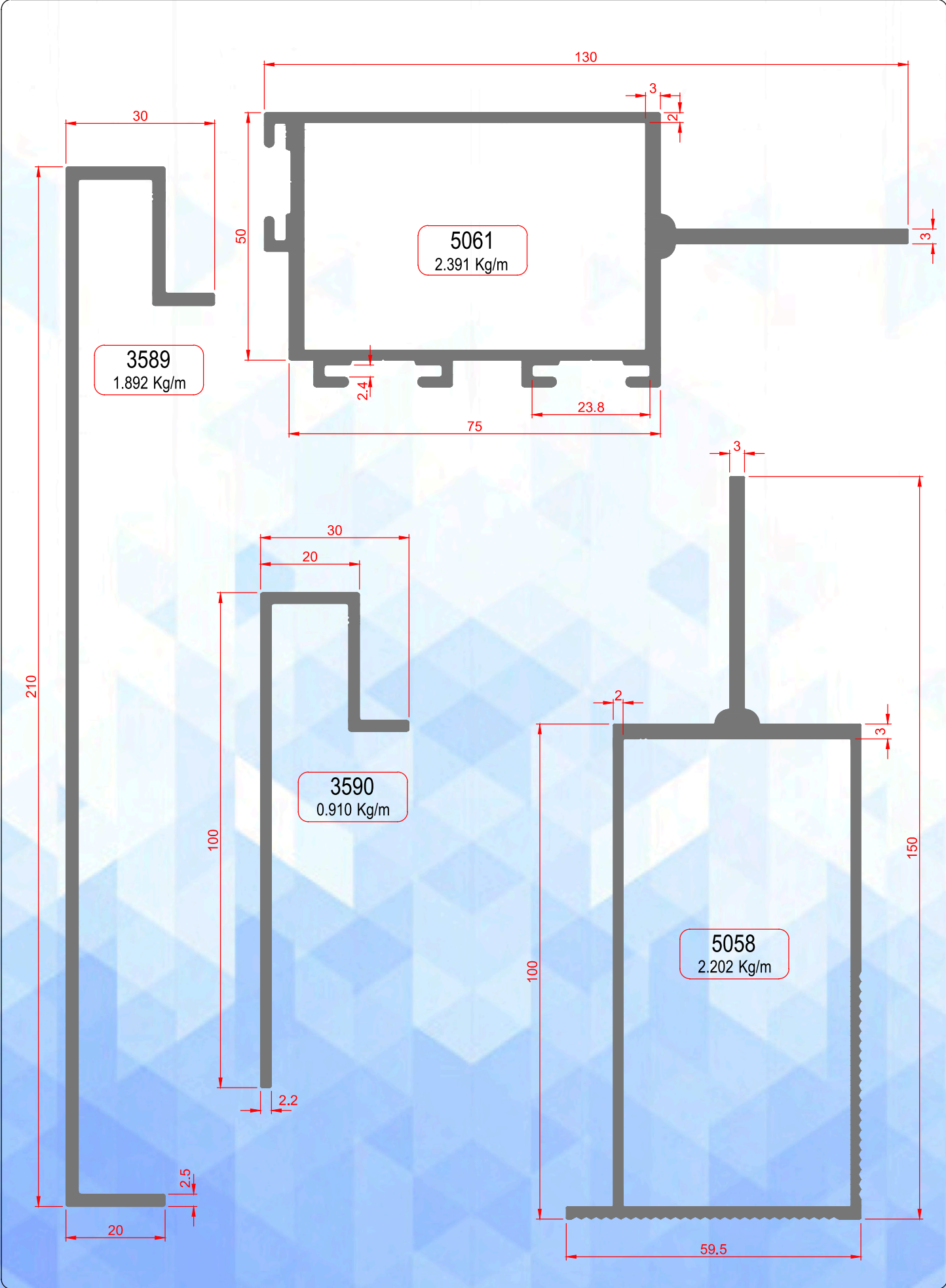


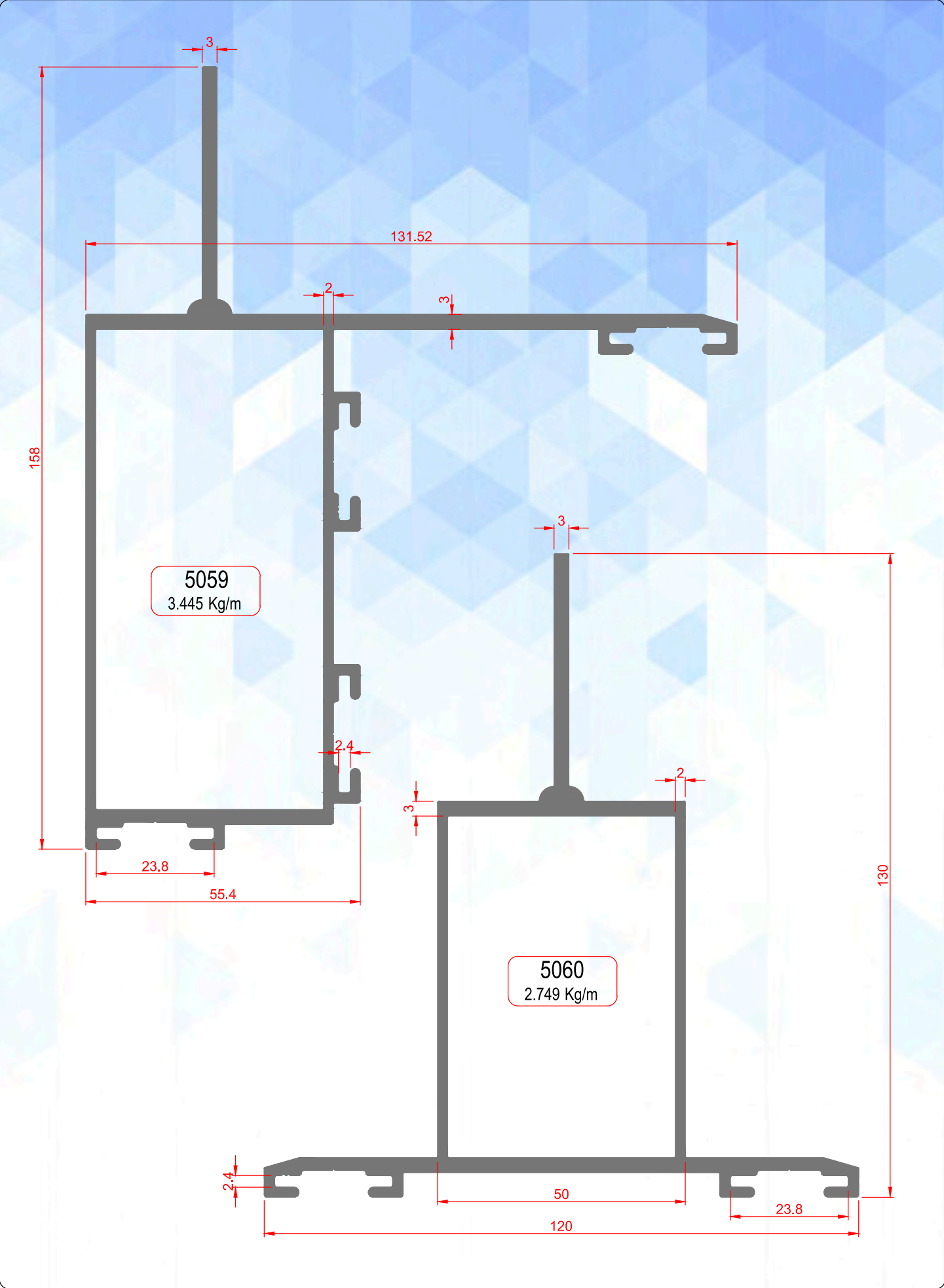
5063
0.157 Kg/m

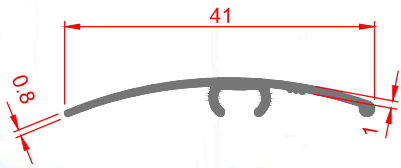




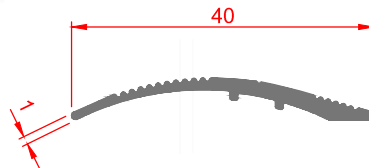




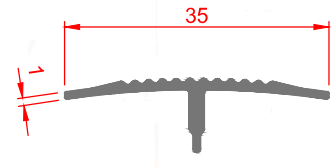




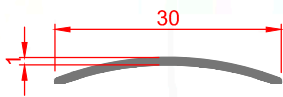
1636
0.145 Kg/m



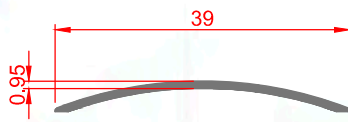
1635
0.172 Kg/m



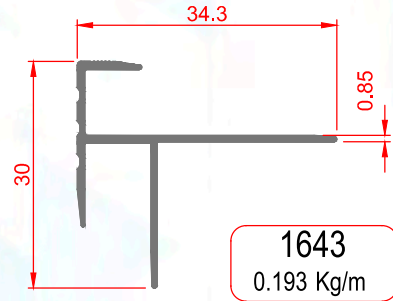
1642
0.153 Kg/m



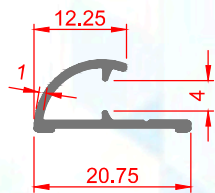
1641
0.080 Kg/m



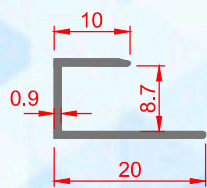
1640
0.099 Kg/m



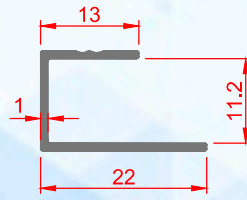
1643
0.193 Kg/m



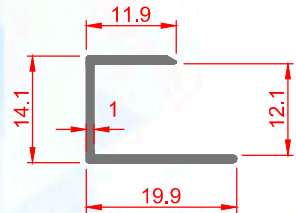
1649
0.110 Kg/m



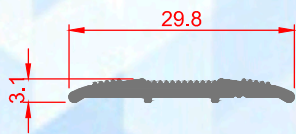
1822
0.093 Kg/m



1093
0.123 Kg/m



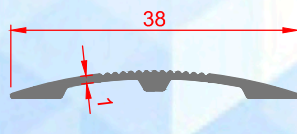
1648
0.117 Kg/m



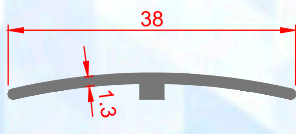
3518
0.155 Kg/m



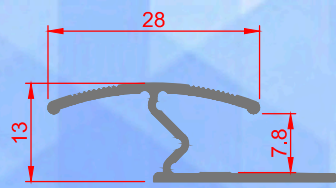
1638
0.124 Kg/m



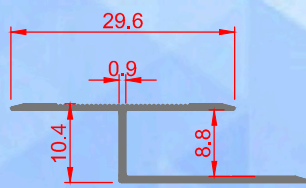
1639
0.132 Kg/m



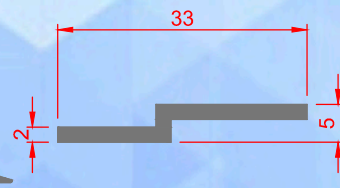
2183
0.151 Kg/m



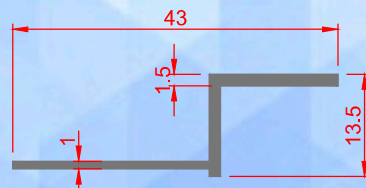
4810
0.192 Kg/m



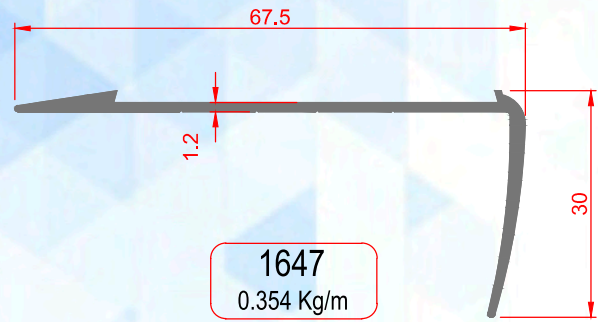
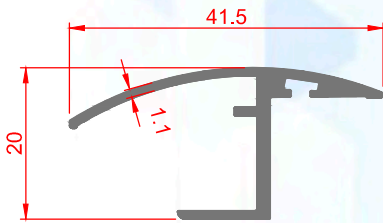
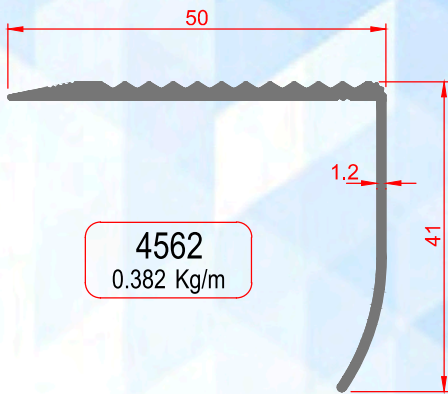
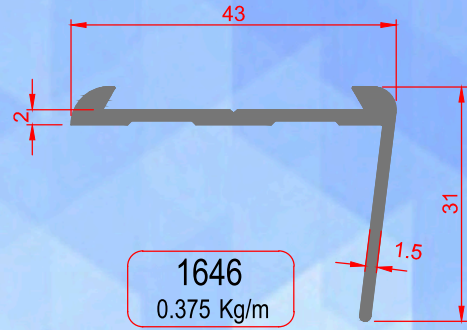
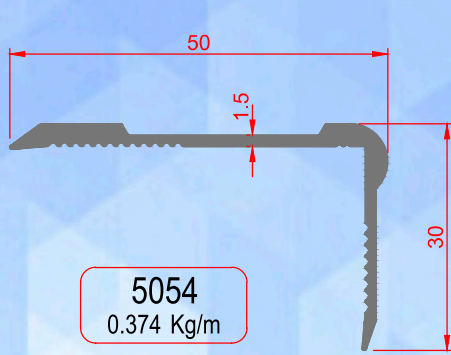
1644
0.129 Kg/m



1448
0.194 Kg/m

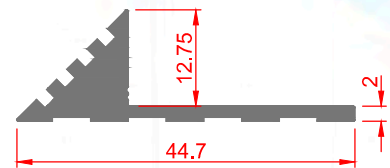
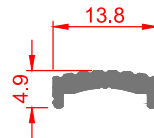
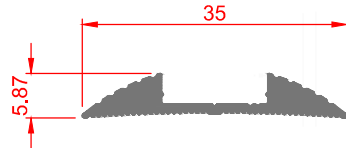
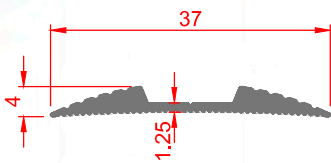
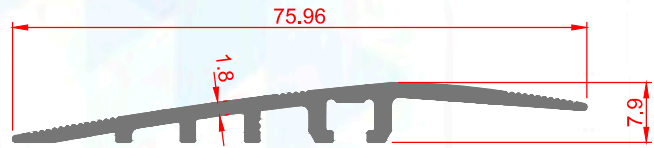


1040
0.188 Kg/m



1645
0.302 Kg/m

4963
0.470 Kg/m

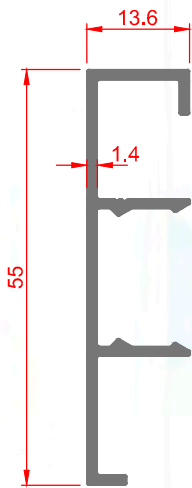


3373
0.177 Kg/m

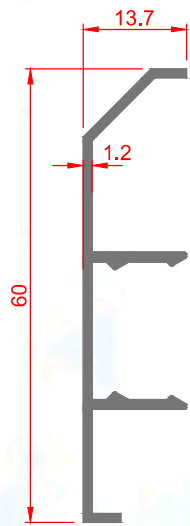
4700
0.225 Kg/m

4701
0.098 Kg/m

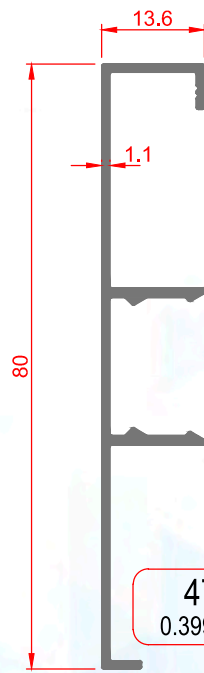
2012
0.406 Kg/m



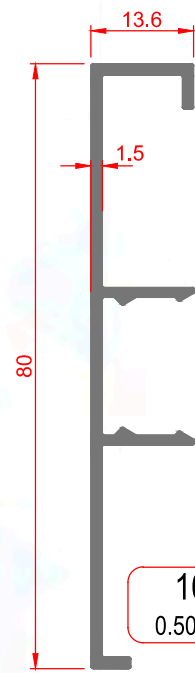
2219
0.382 Kg/m



1184
0.328 Kg/m



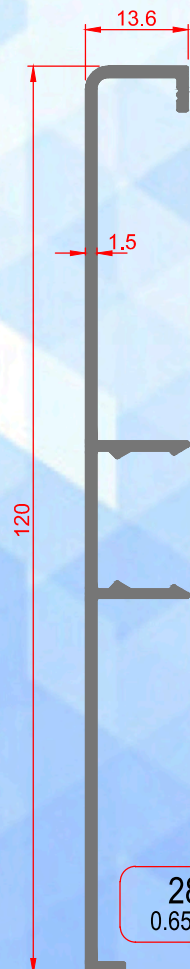
4797
0.399 Kg/m



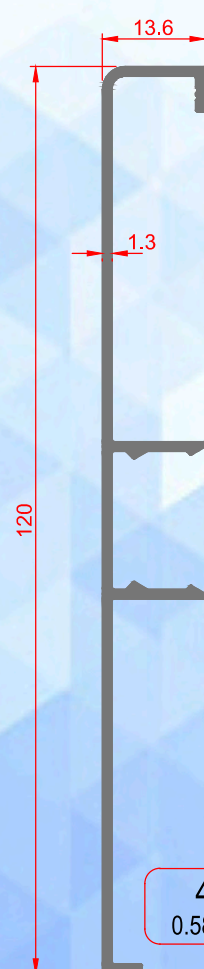
1086
0.501 Kg/m



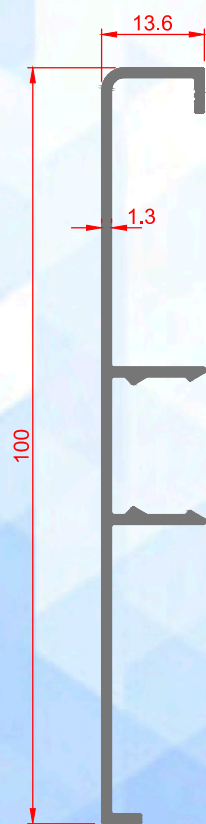
2866
0.703 Kg/m



2865
0.659 Kg/m



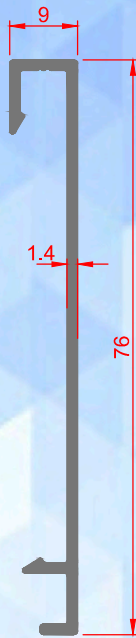
4629
0.587 Kg/m



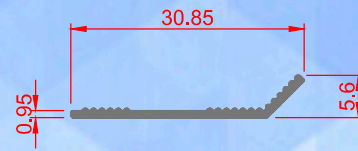
4628
0.517 Kg/m



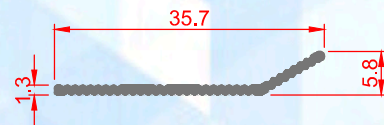
2479
0.322 Kg/m



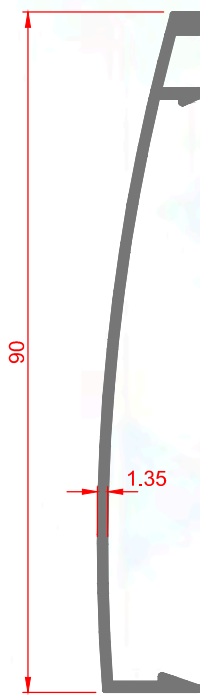
2478
0.382 Kg/m



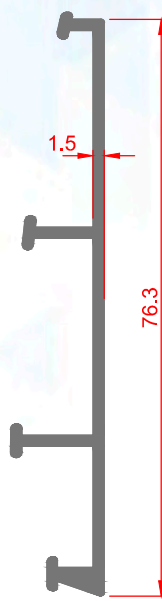
4685
0.092 Kg/m



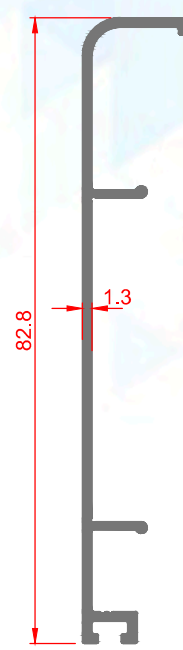
2013
0.112 Kg/m



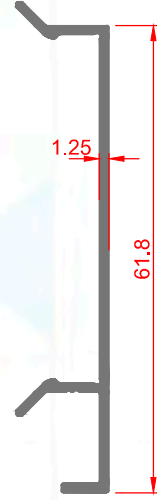
1185
0.433 Kg/m



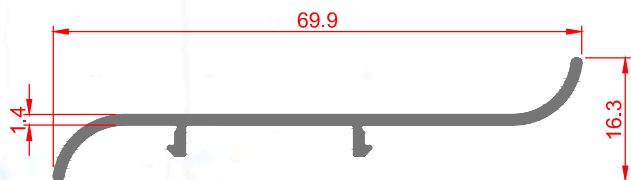
1186
0.487 Kg/m



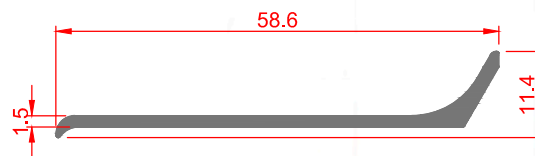
3318
0.414 Kg/m



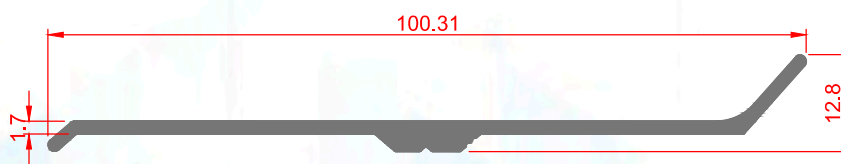
3319
0.307 Kg/m



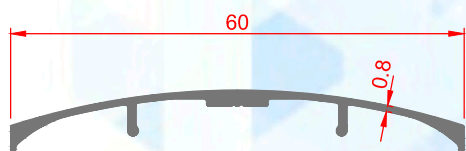
1681
0.327 Kg/m



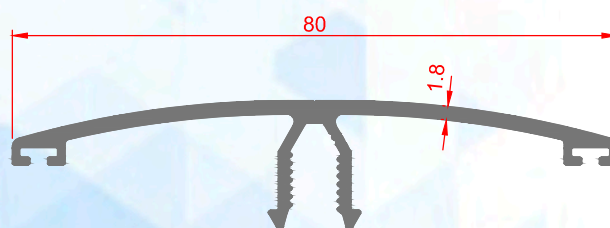
1951
0.280 Kg/m



2150
0.553 Kg/m



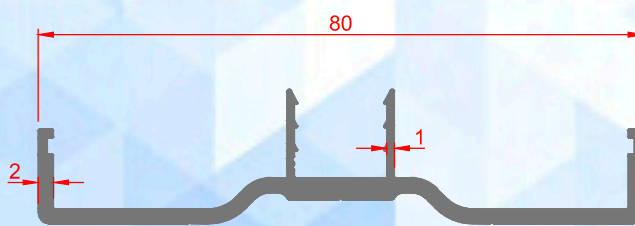
2000
0.224 Kg/m



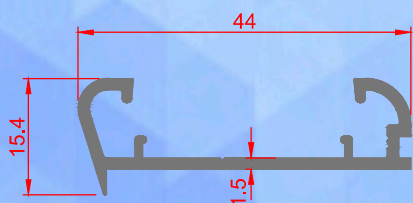
2413
0.573 Kg/m



2001
0.280 Kg/m



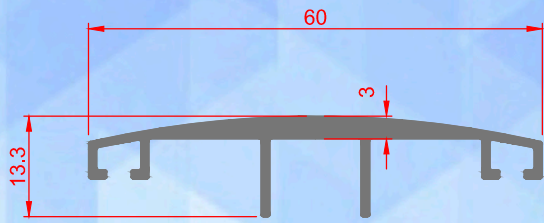
2412
0.649 Kg/m



2640
0.332 Kg/m



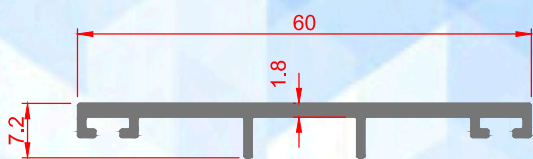
2639
0.147 Kg/m



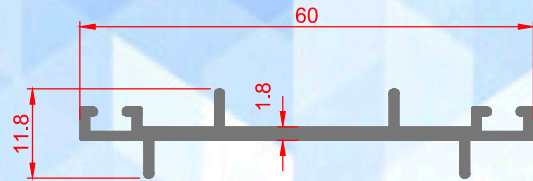
1650
0.470 Kg/m



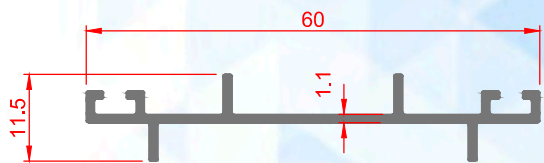
1654
0.451 Kg/m



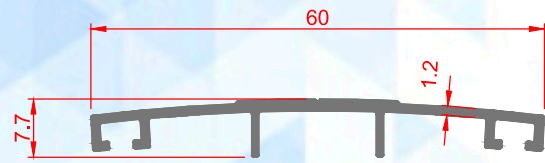
1651
0.371 Kg/m



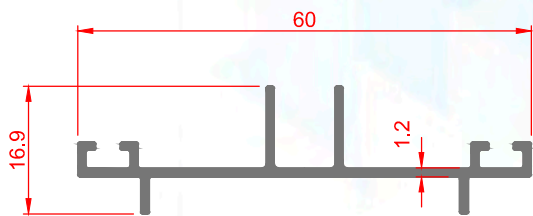
1655
0.390 Kg/m



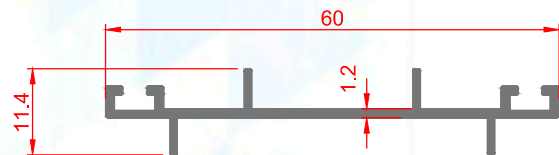
1652
0.297 Kg/m



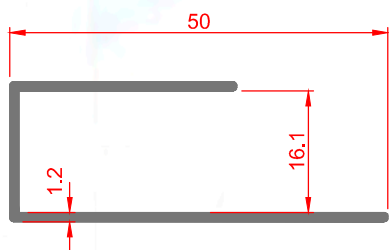
1656
0.312 Kg/m



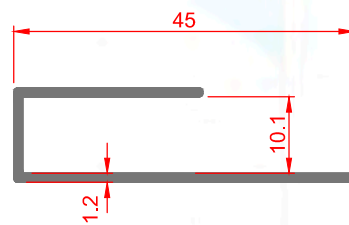
1653
0.346 Kg/m



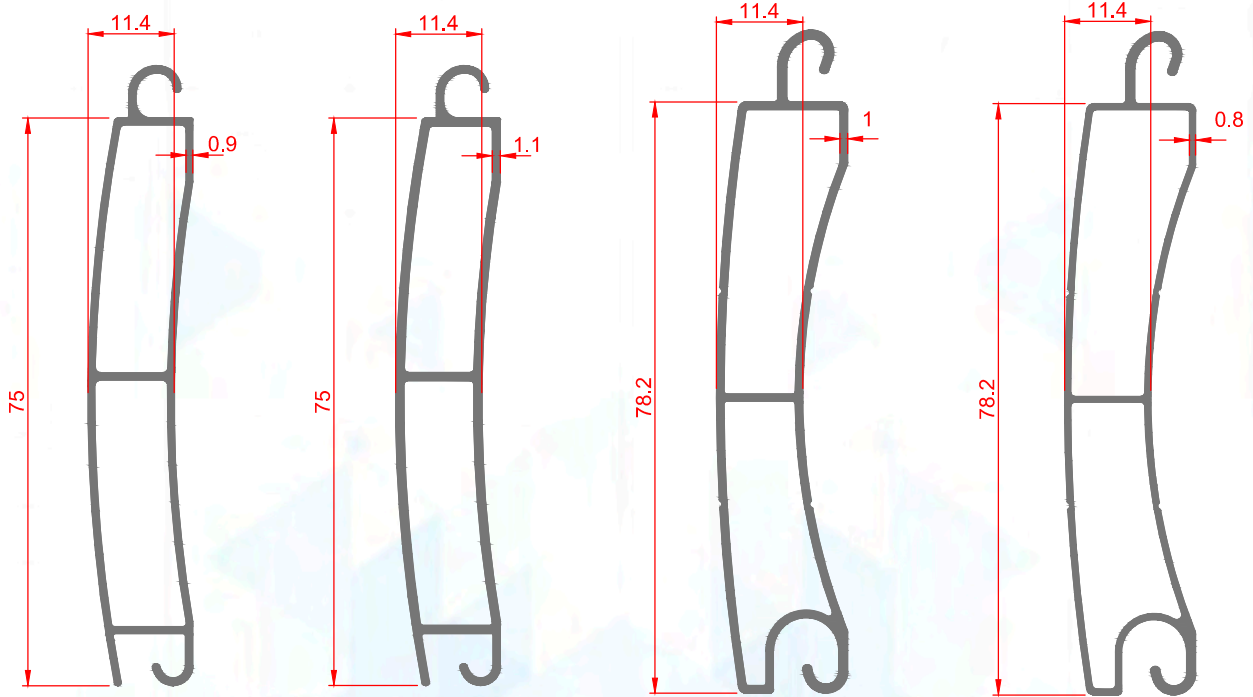
1657
0.296 Kg/m



1658
0.311 Kg/m



1659
0.259 Kg/m



1237
0.489 Kg/m

1664
0.573 Kg/m

1661
0.619 Kg/m

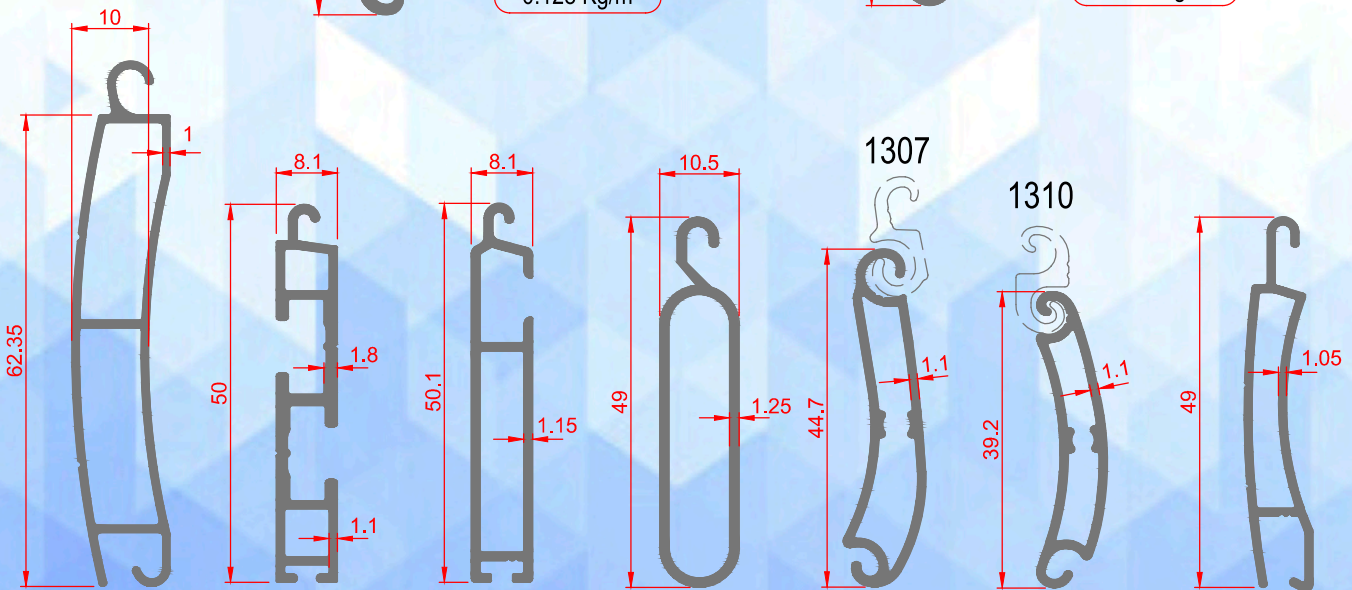
1662
0.520 Kg/m



1307
0.128 Kg/m



1310
0.129 Kg/m



1663
0.454 Kg/m

1665
0.407 Kg/m

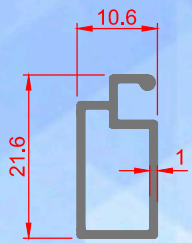
1308
0.346 Kg/m

1666
0.348 Kg/m

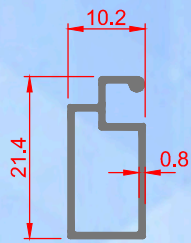
1306
0.321 Kg/m

1309
0.274 Kg/m

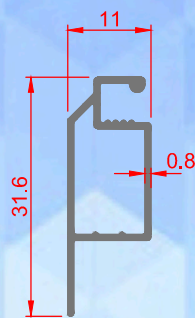
4504
0.300 Kg/m



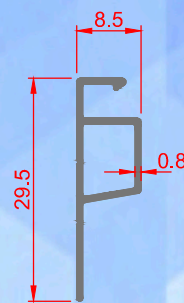
1668
0.170 Kg/m



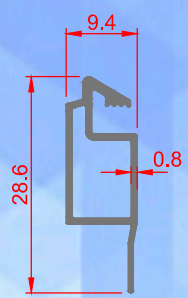
1409
0.138 Kg/m



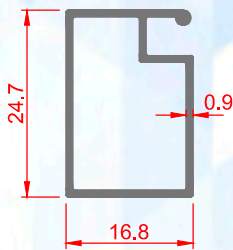
1670
0.167 Kg/m



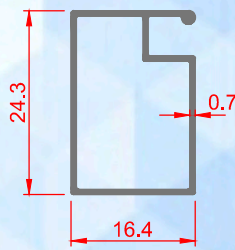
1671
0.129 Kg/m



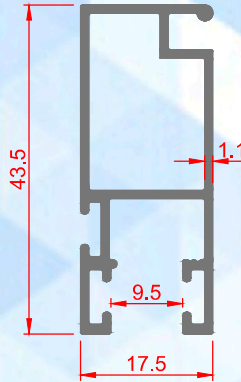
1672
0.152 Kg/m



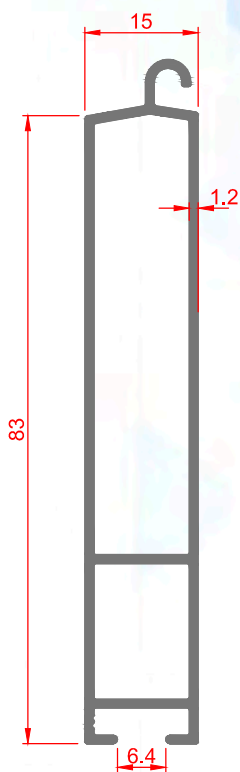
1673
0.212 Kg/m



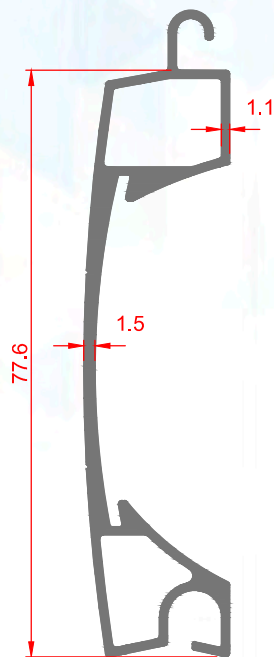
1410
0.164 Kg/m



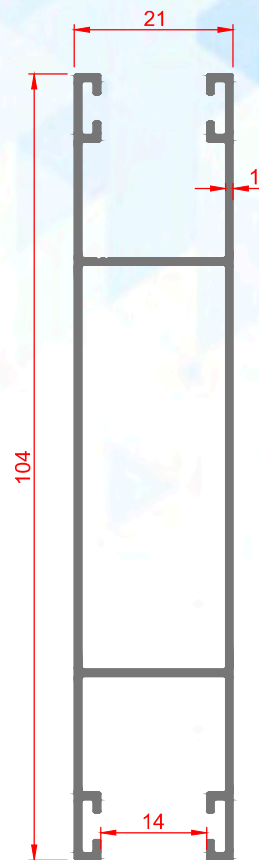
3731
0.446 Kg/m



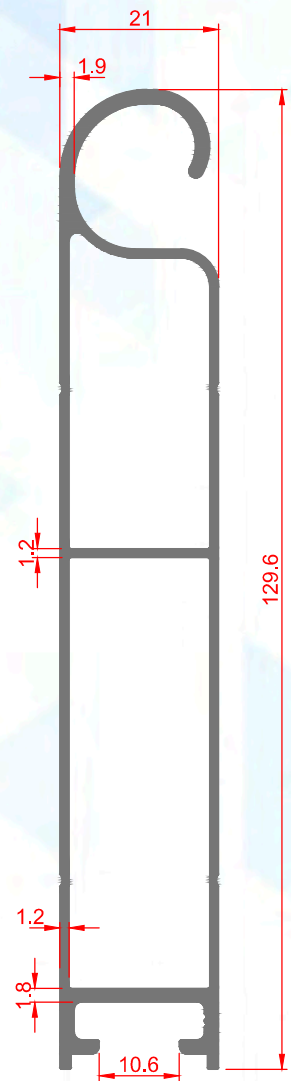
2426
0.717 Kg/m



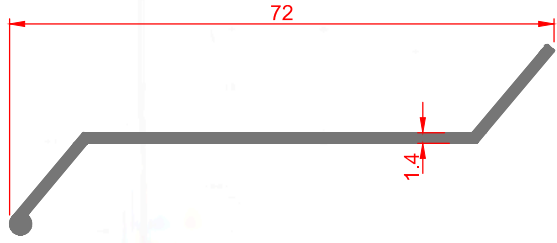
1660
0.728 Kg/m



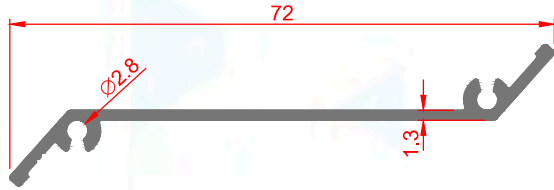
2144
0.755 Kg/m



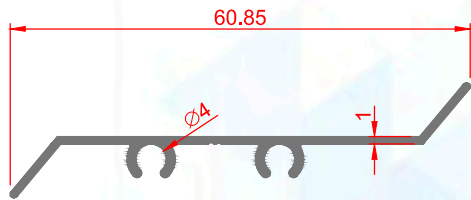
2424
1.185 Kg/m



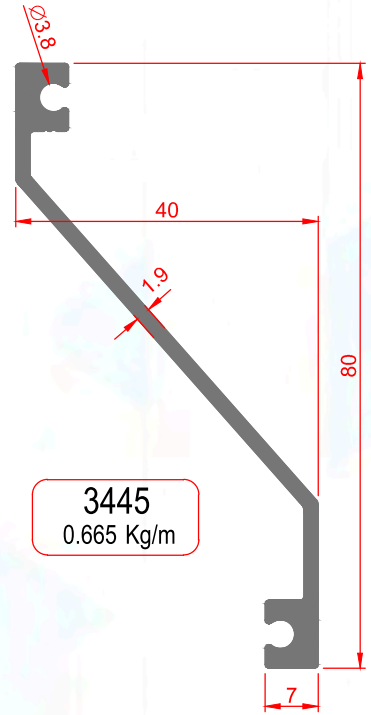
2157
0.321 Kg/m



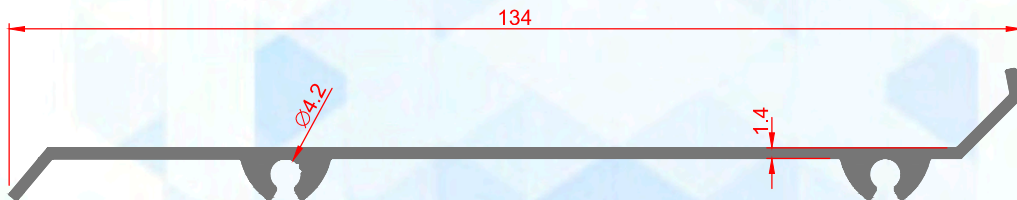
2355
0.343 Kg/m



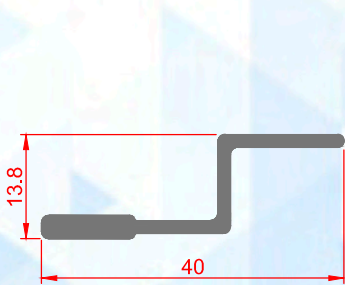
3736
0.245 Kg/m



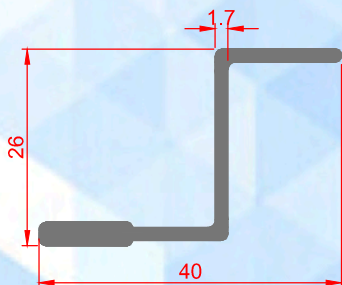
3445
0.665 Kg/m



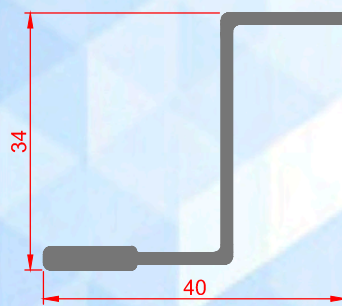
3587
0.711 Kg/m



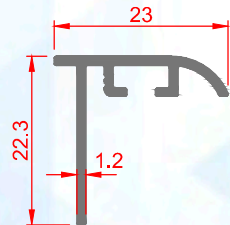
3734
0.280 Kg/m



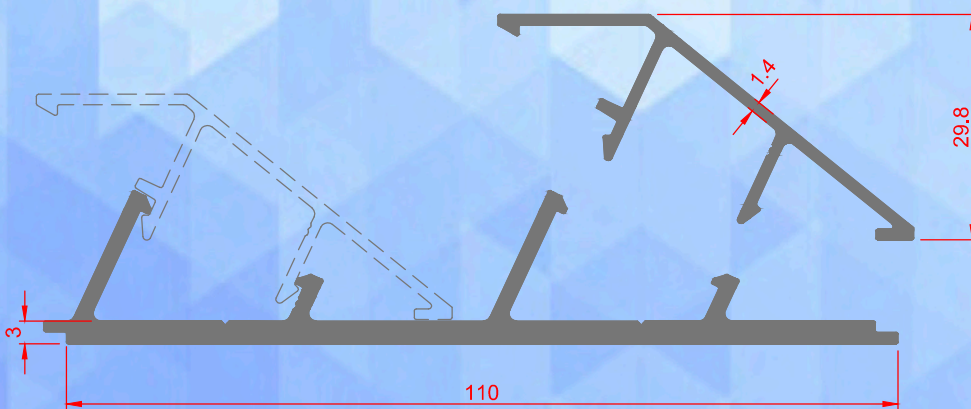
3733
0.336 Kg/m



3732
0.341 Kg/m

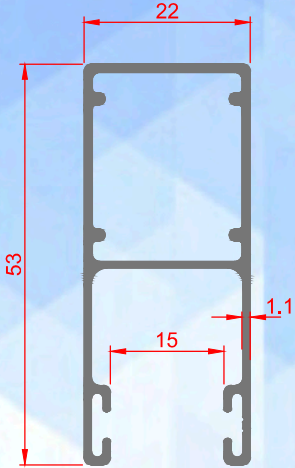


5221
0.184 Kg/m

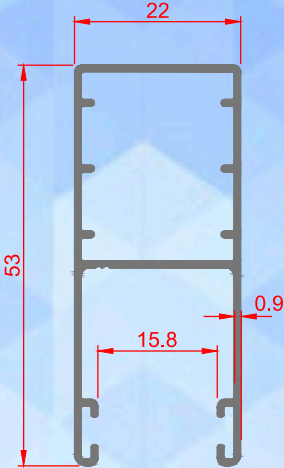


5225
0.402 Kg/m

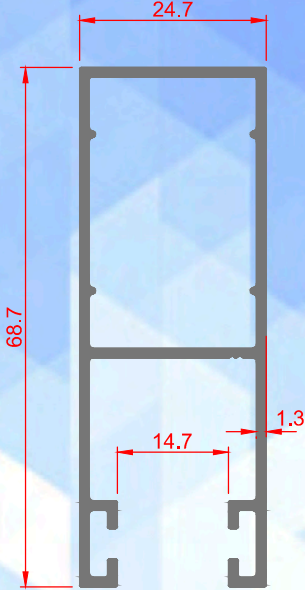
5224
1.182 Kg/m



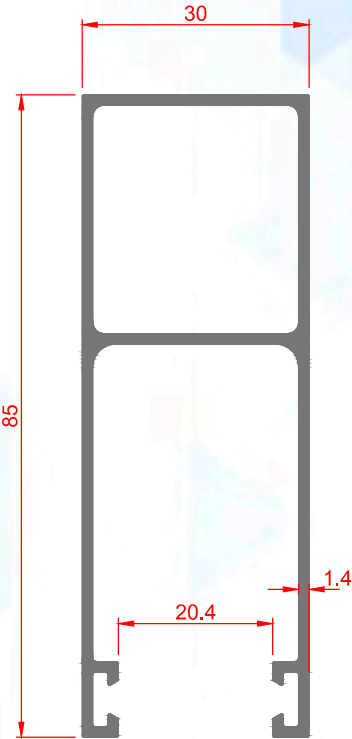
1305
0.494 Kg/m



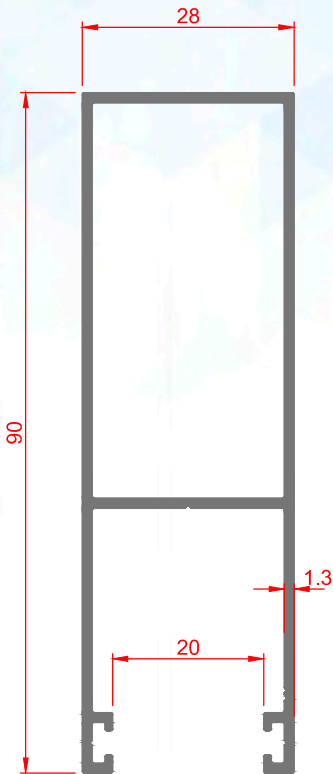
1475
0.413 Kg/m



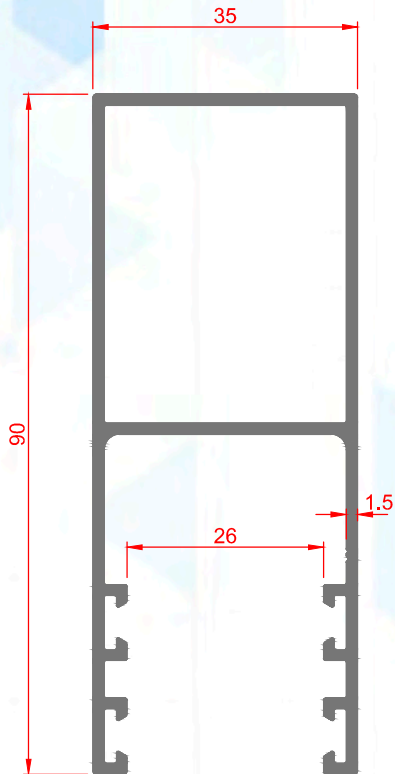
2358
0.732 Kg/m



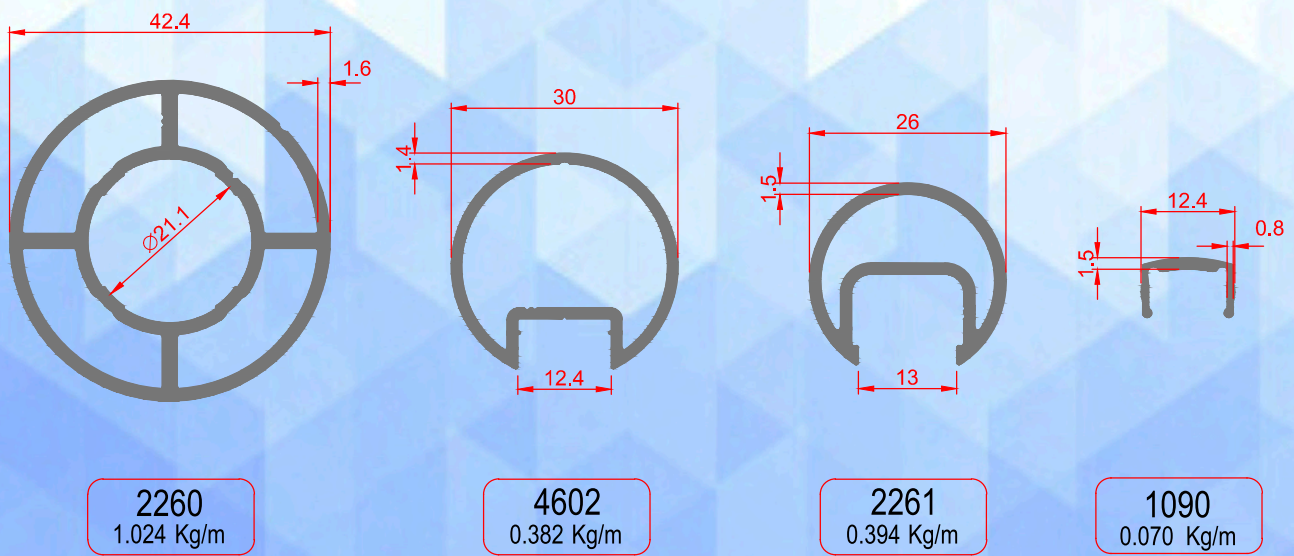
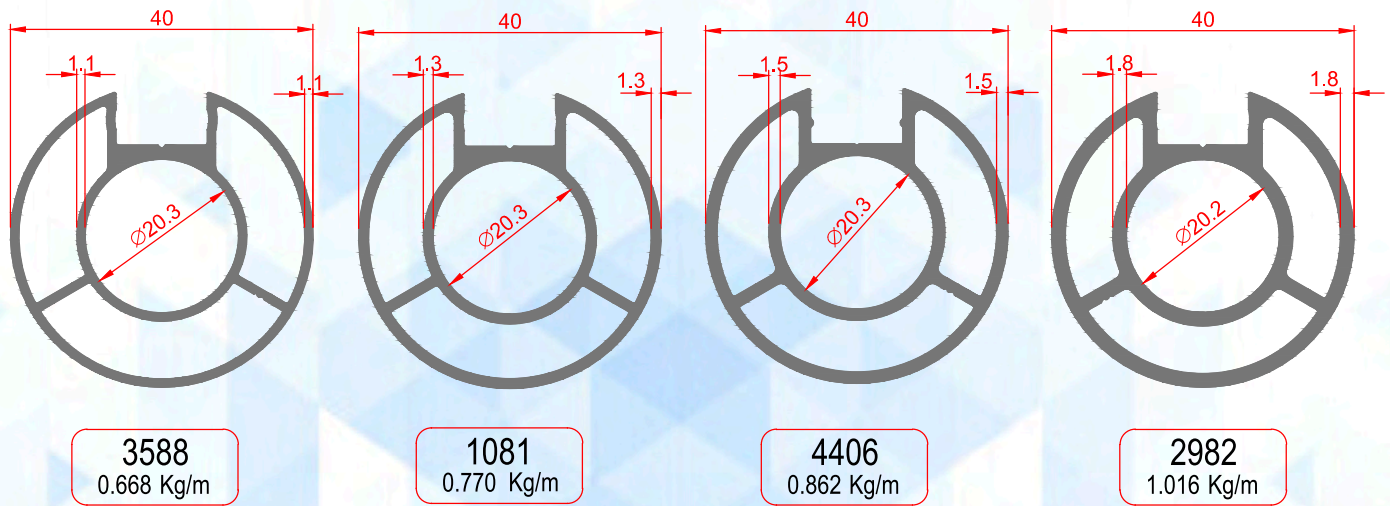
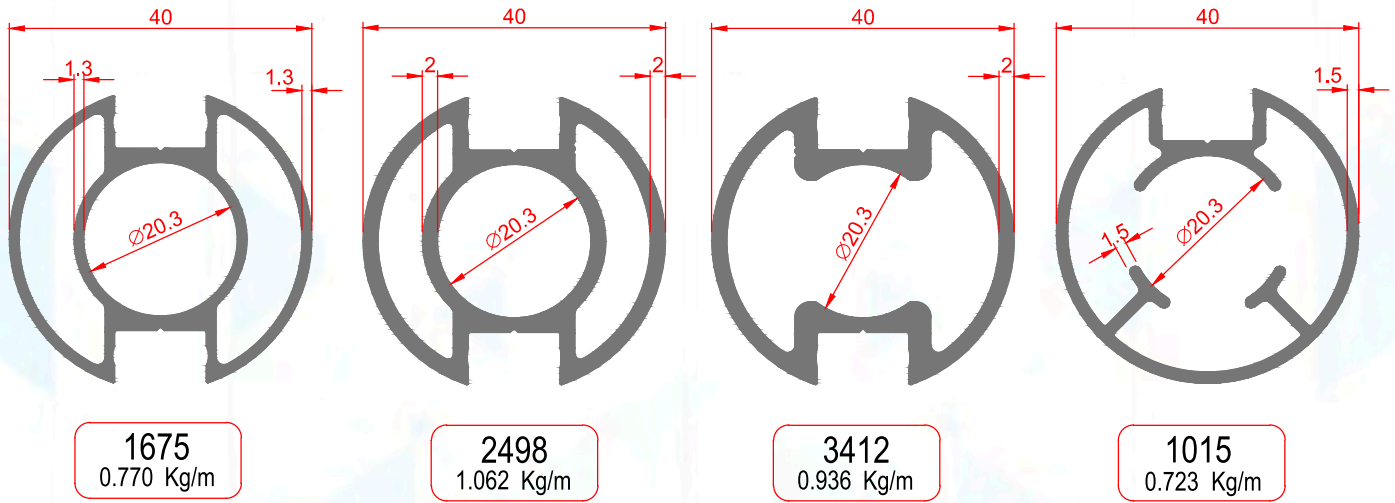
1417
0.937 Kg/m



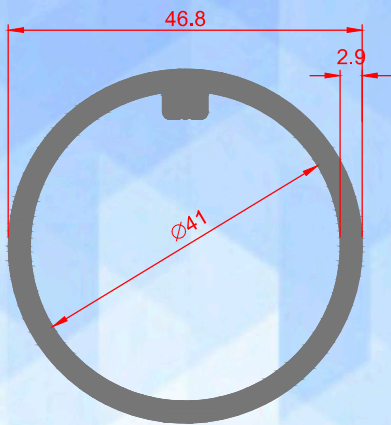
2600
0.865 Kg/m



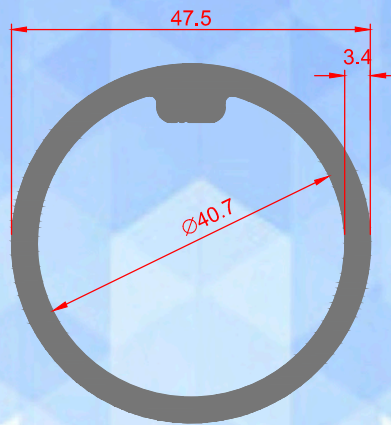
2425
1.123 Kg/m



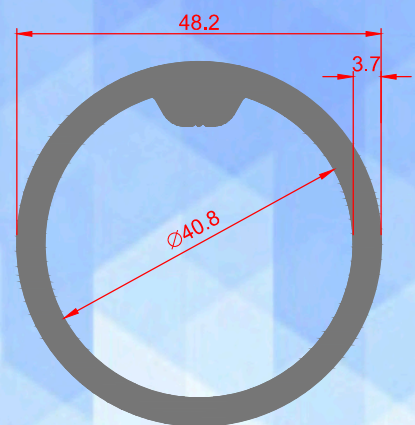
Handrail Profiles



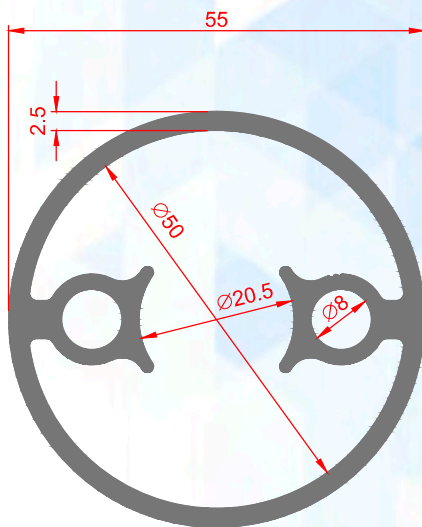
5162
1.138 Kg/m



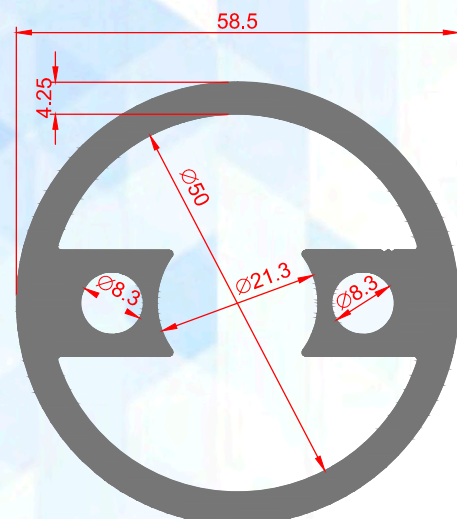
4309
1.371 Kg/m



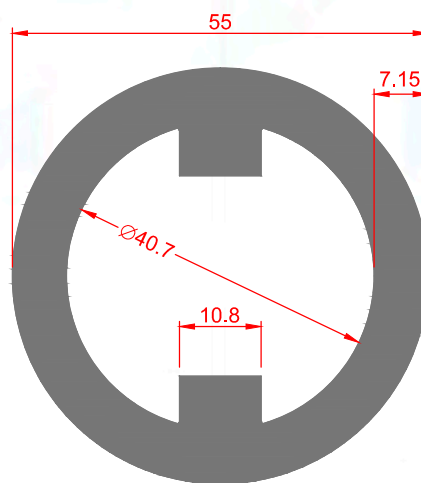
2881
1.516 Kg/m



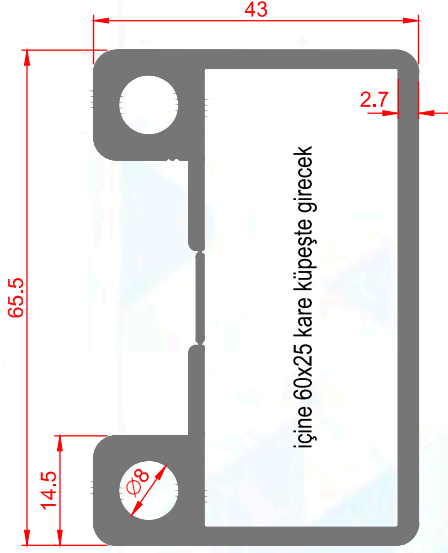
5161
1.648 Kg/m



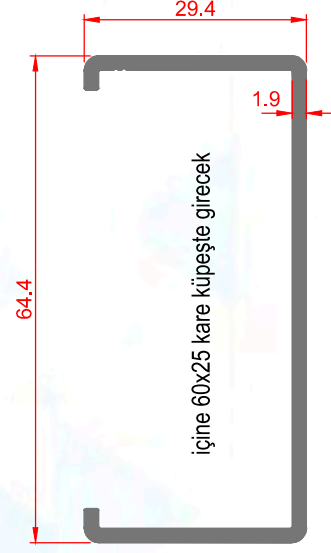
2880
2.784 Kg/m



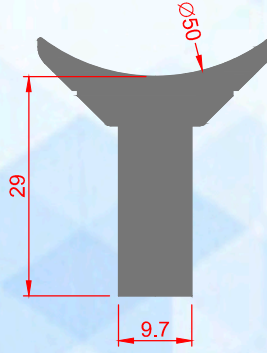
1678
3.302 Kg/m



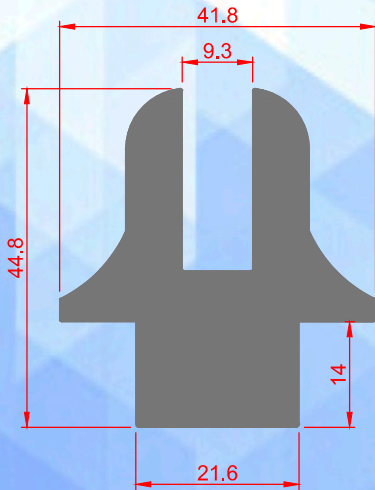
5386
1.811 Kg/m



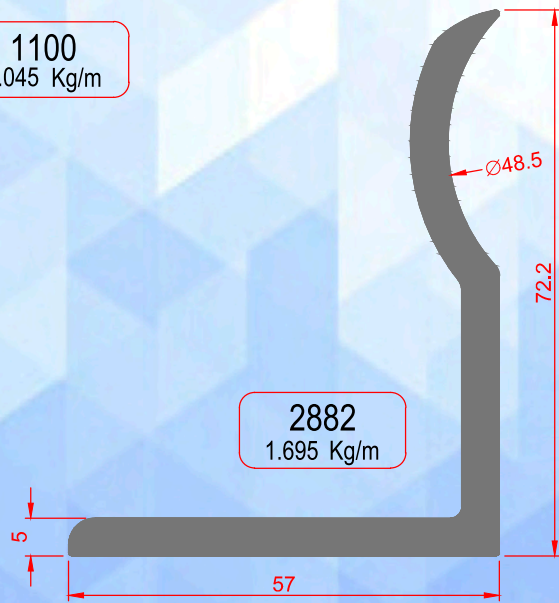
5388
0.629 Kg/m



1100
1.045 Kg/m

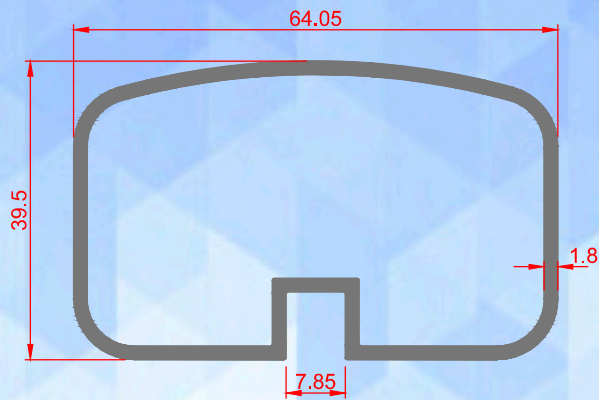


2883
2.462 Kg/m

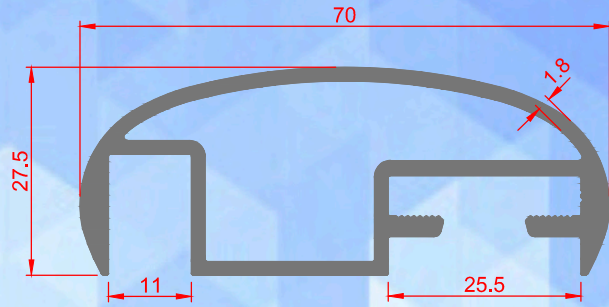


2882
1.695 Kg/m

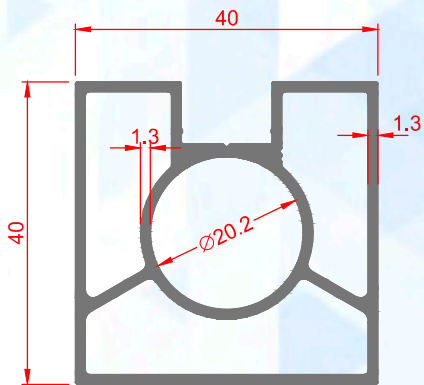
Handrail Profiles



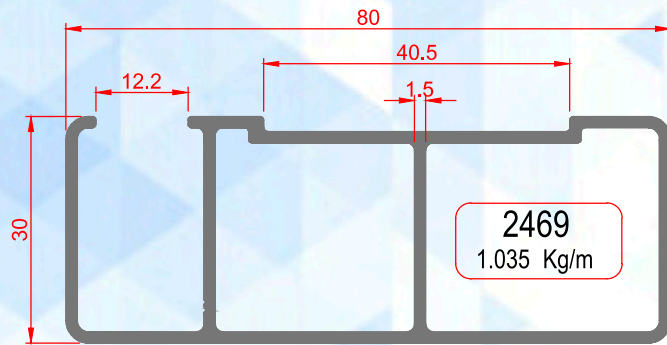
1677
0.971 Kg/m



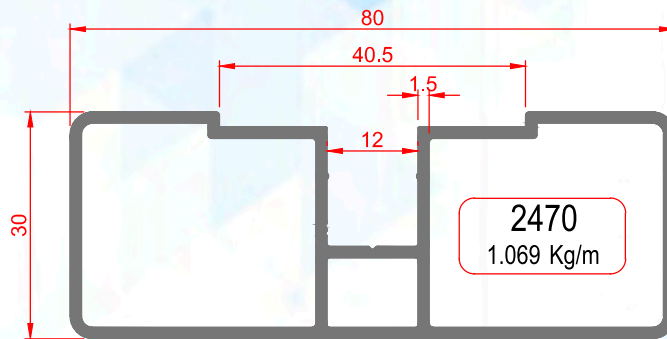
3029
1.148 Kg/m



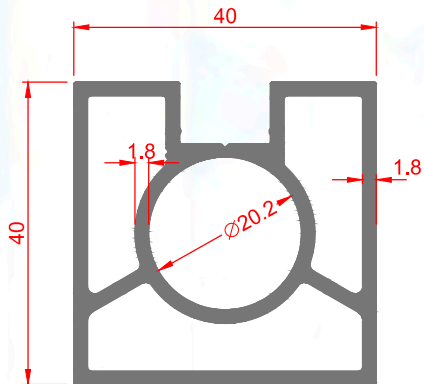
2471
0.913 Kg/m



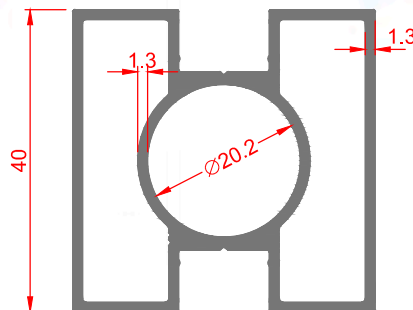
2469
1.035 Kg/m



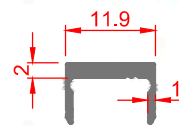
2470
1.069 Kg/m



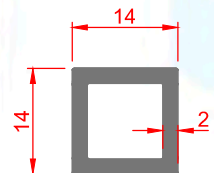
2981
1.208 Kg/m



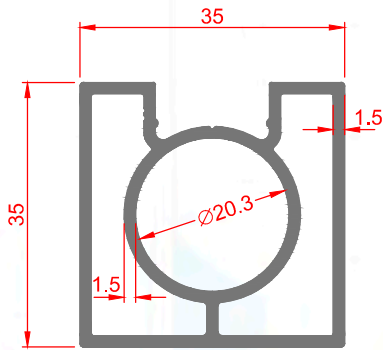
2472
0.892 Kg/m



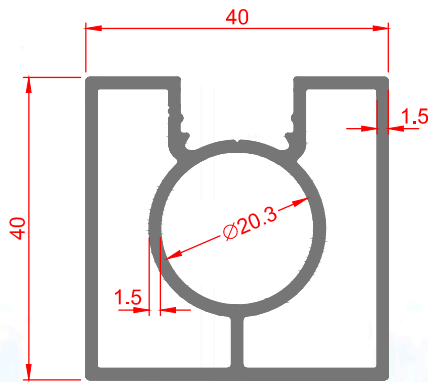
2473
0.092 Kg/m



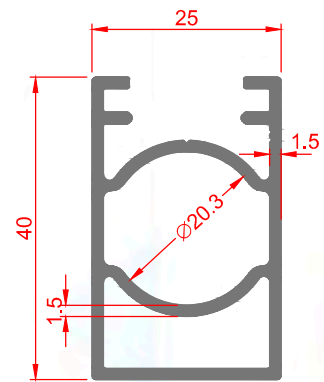
2474
0.259 Kg/m



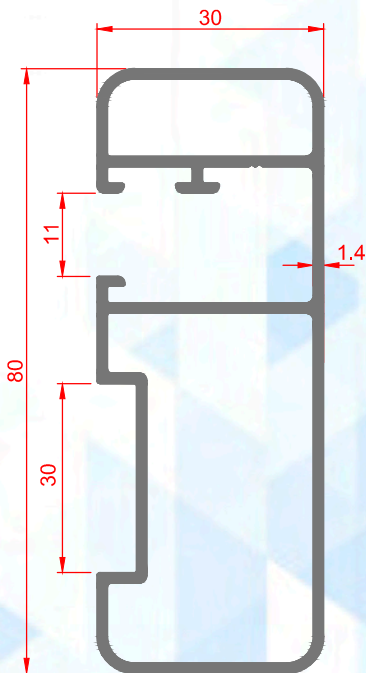
2757
0.837 Kg/m



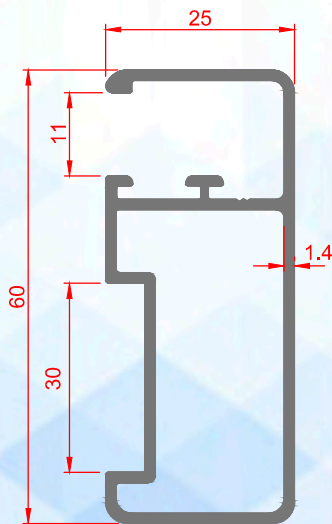
2758
0.959 Kg/m



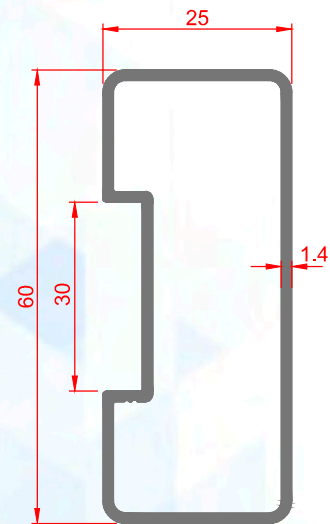
2759
0.678 Kg/m



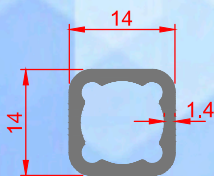
2760
1.029 Kg/m



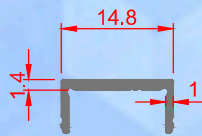
2761
0.727 Kg/m



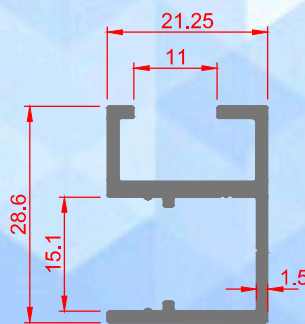
2762
0.644 Kg/m



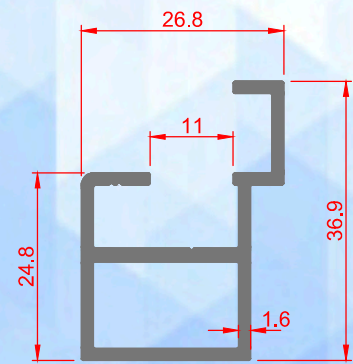
2763
0.201 Kg/m



2764
0.082 Kg/m

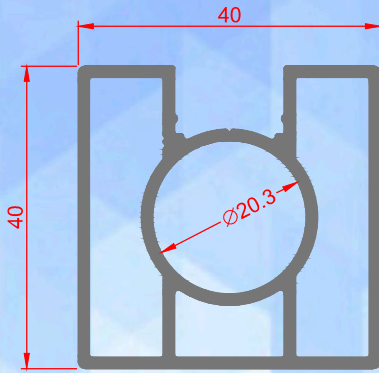


2765
0.394 Kg/m

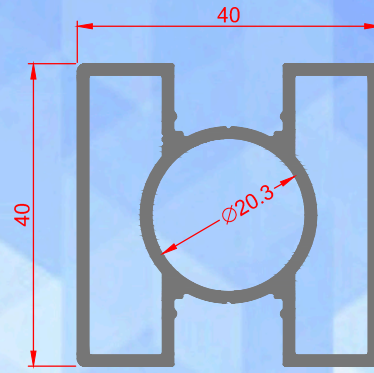


2766
0.522 Kg/m

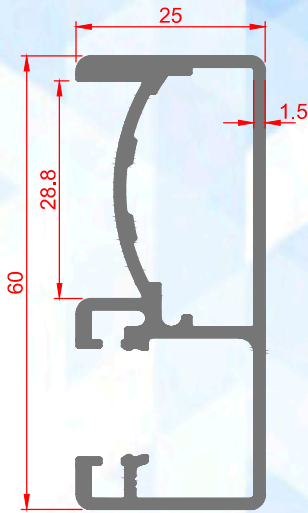
Handrail Profiles



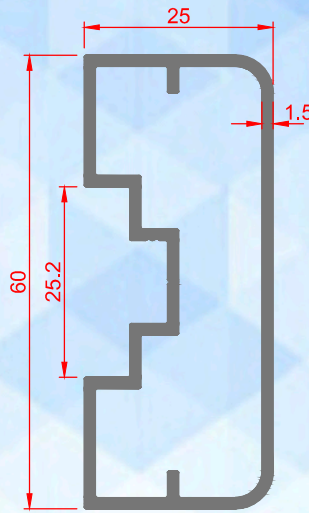
3398
1.015 Kg/m



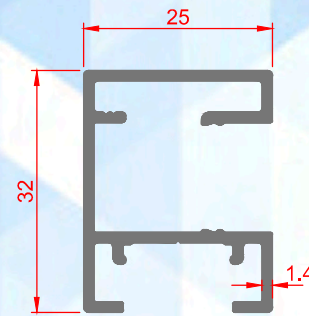
3399
0.966 Kg/m



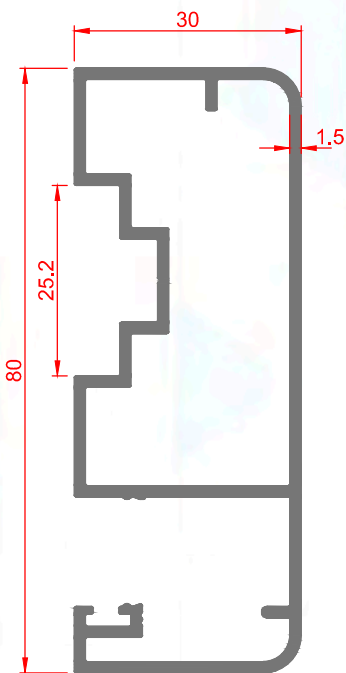
3401
0.880 Kg/m



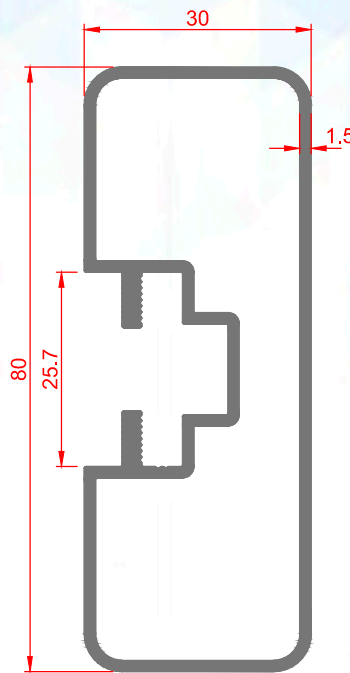
3403
0.766 Kg/m



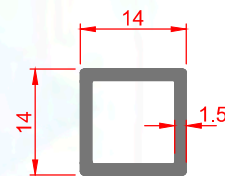
3400
0.455 Kg/m



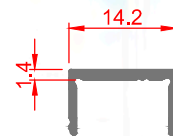
3402
1.073 Kg/m



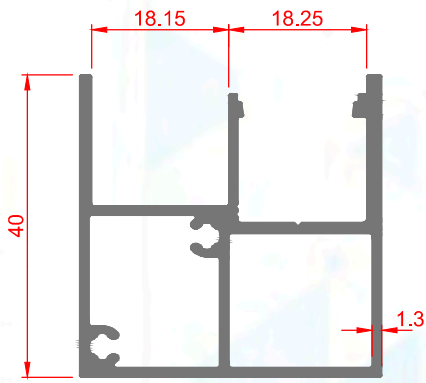
3404
1.085 Kg/m



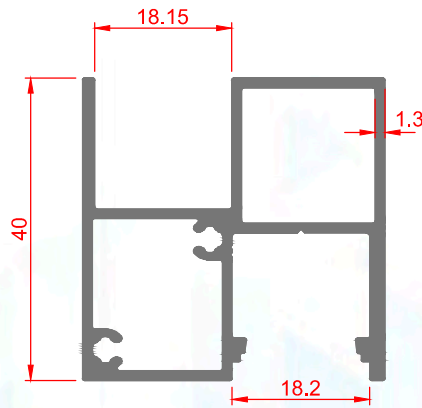
3406
0.202 Kg/m



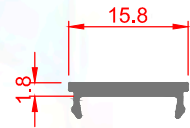
3405
0.089 Kg/m



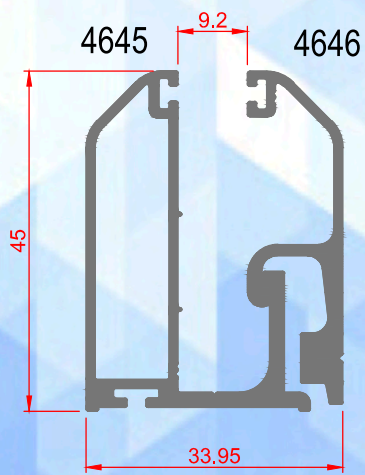
1380
0.800 Kg/m



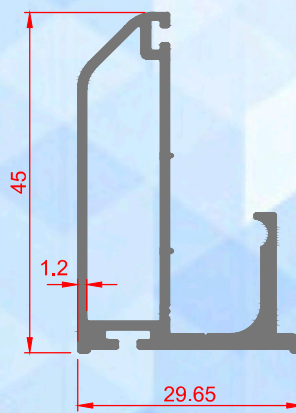
1381
0.808 Kg/m



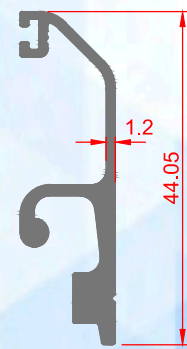
1382
0.086 Kg/m

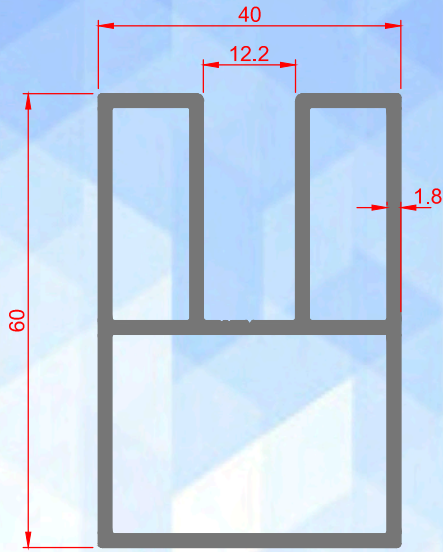


4645
0.575 Kg/m

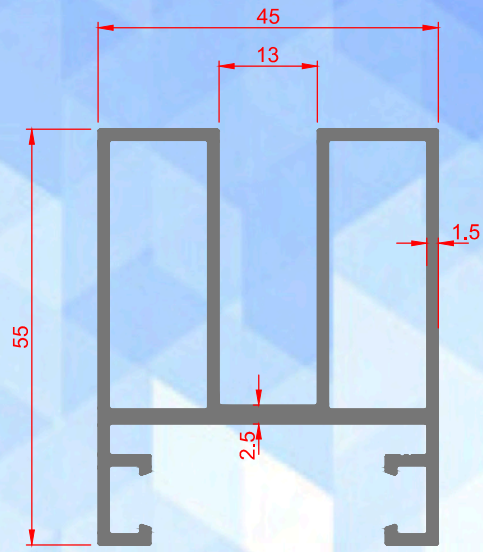


4646
0.400 Kg/m

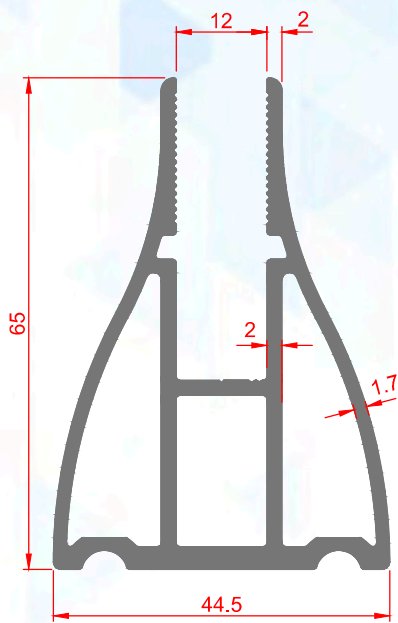




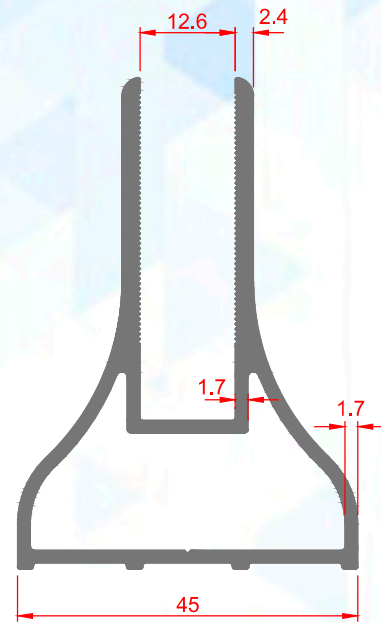
1413
1.327 Kg/m



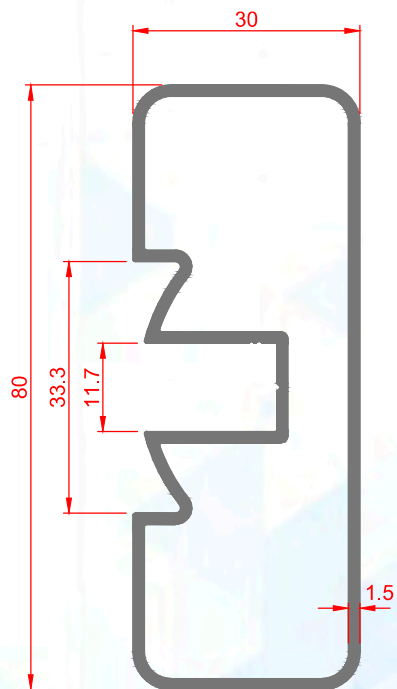
2225
1.201 Kg/m



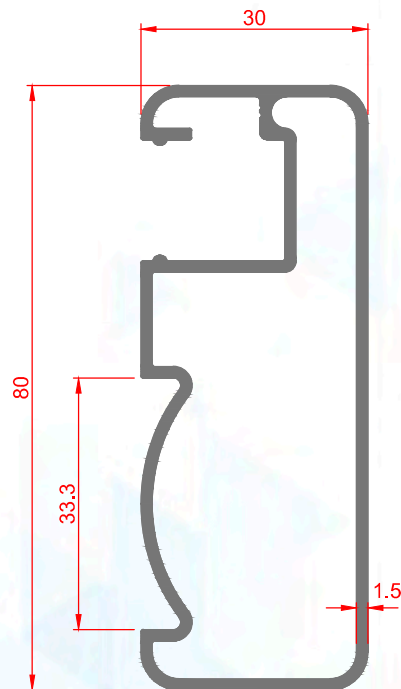
2129
1.489 Kg/m



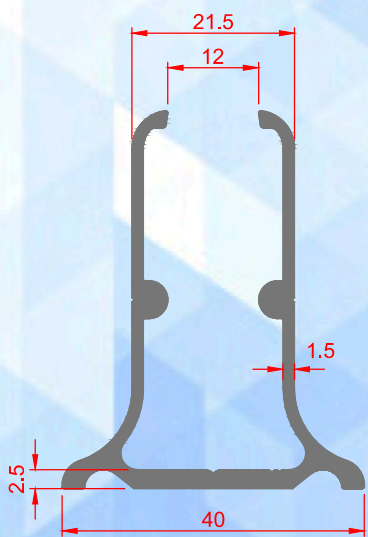
4665
1.135 Kg/m



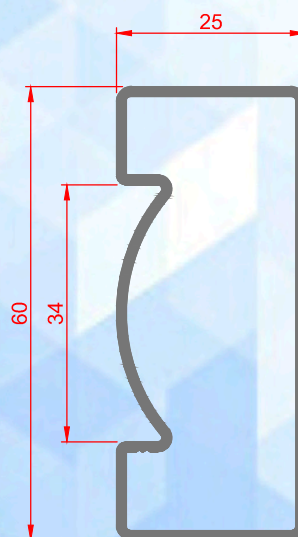
5302
1.031 Kg/m



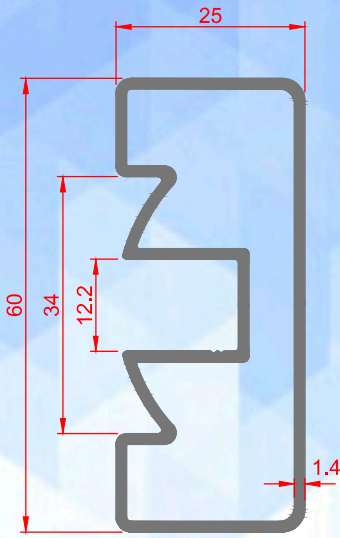
5303
1.025 Kg/m



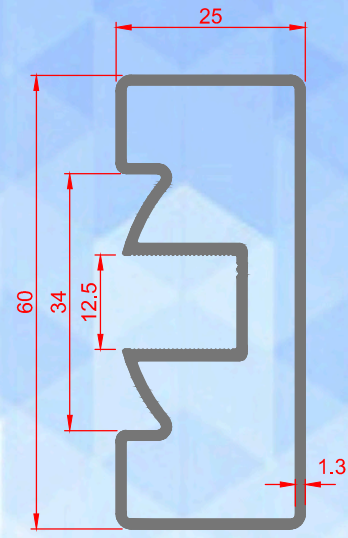
5300
0.747 Kg/m



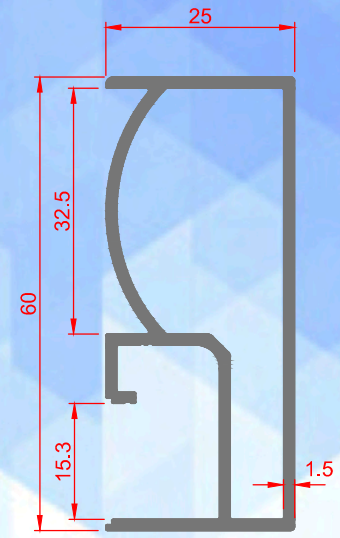
5301
0.616 Kg/m



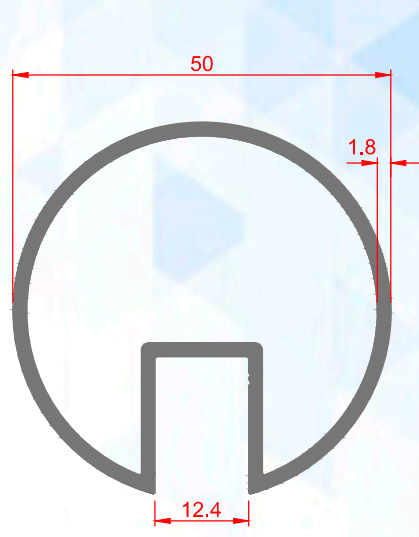
4450
0.783 Kg/m



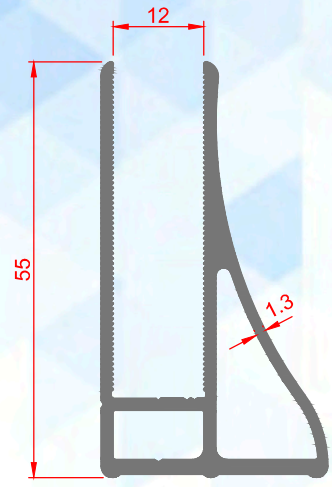
4600
0.730 Kg/m



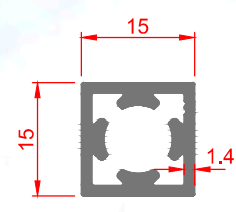
4664
0.771 Kg/m



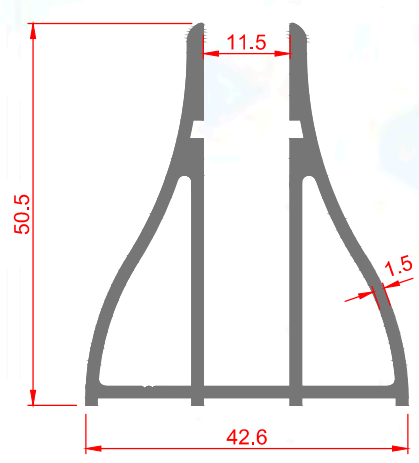
4448
0.907 Kg/m



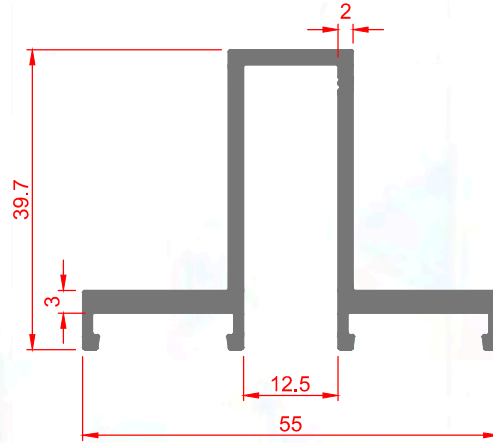
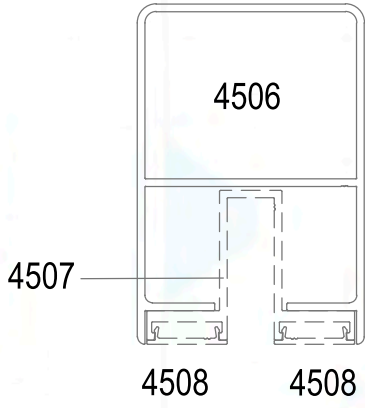
4601
0.802 Kg/m



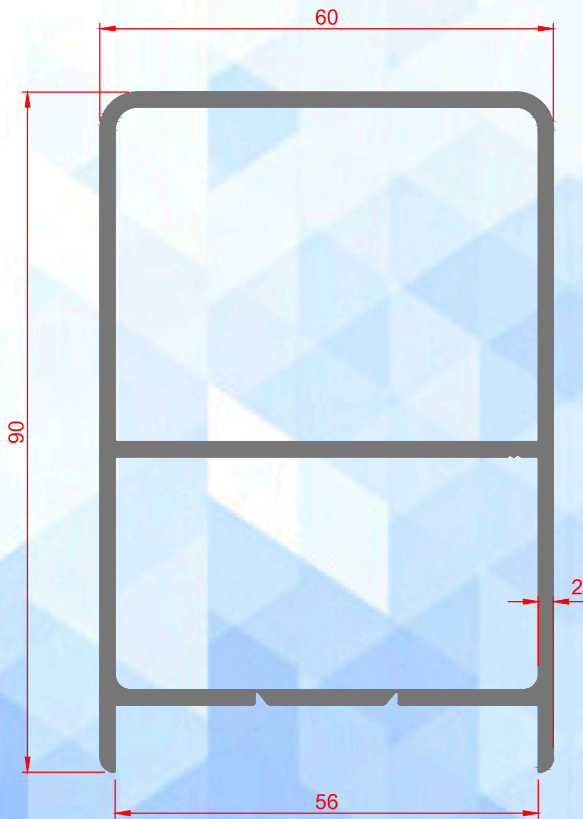
4714
0.300 Kg/m



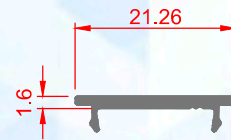
4449
0.940 Kg/m



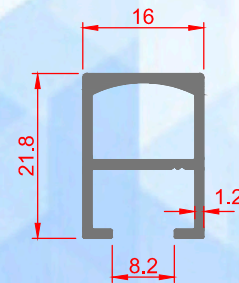
4507
0.840 Kg/m



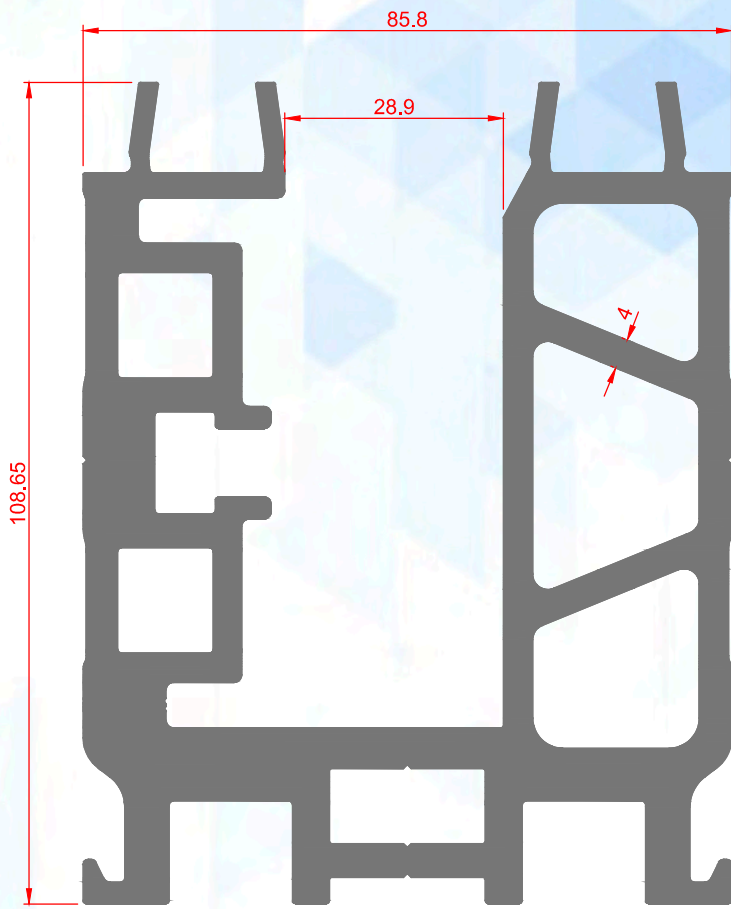
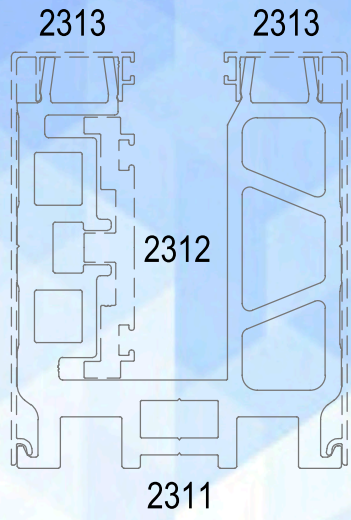
4506
1.850 Kg/m



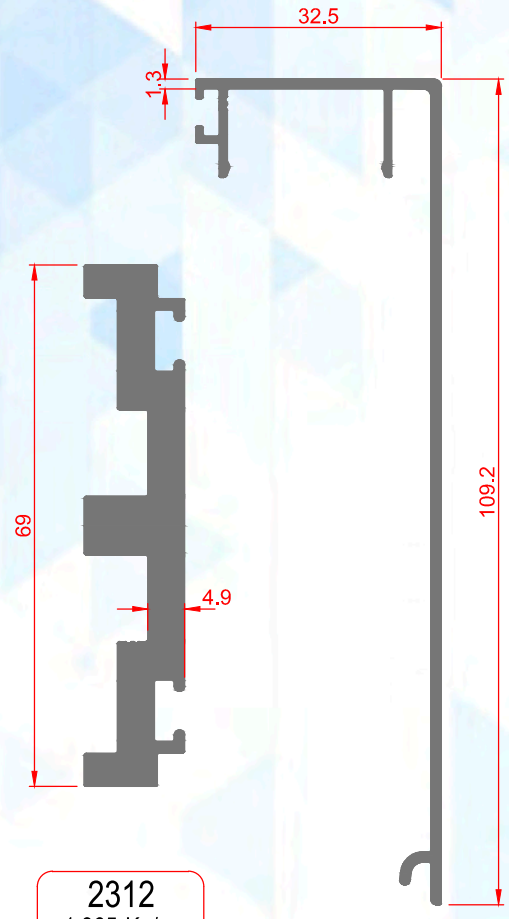
4508
0.098 Kg/m



3442
0.265 Kg/m

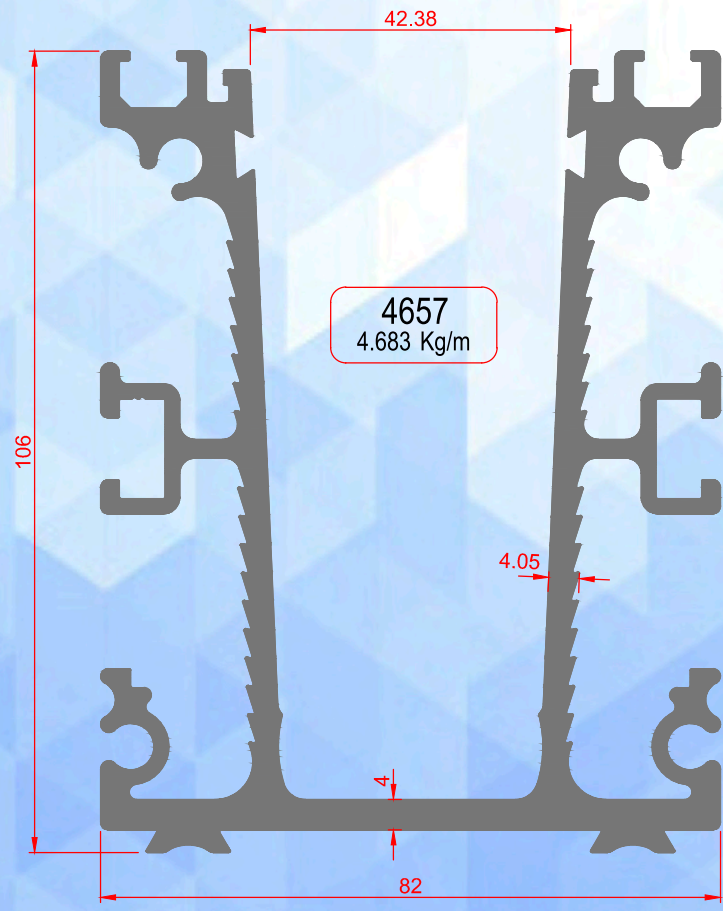
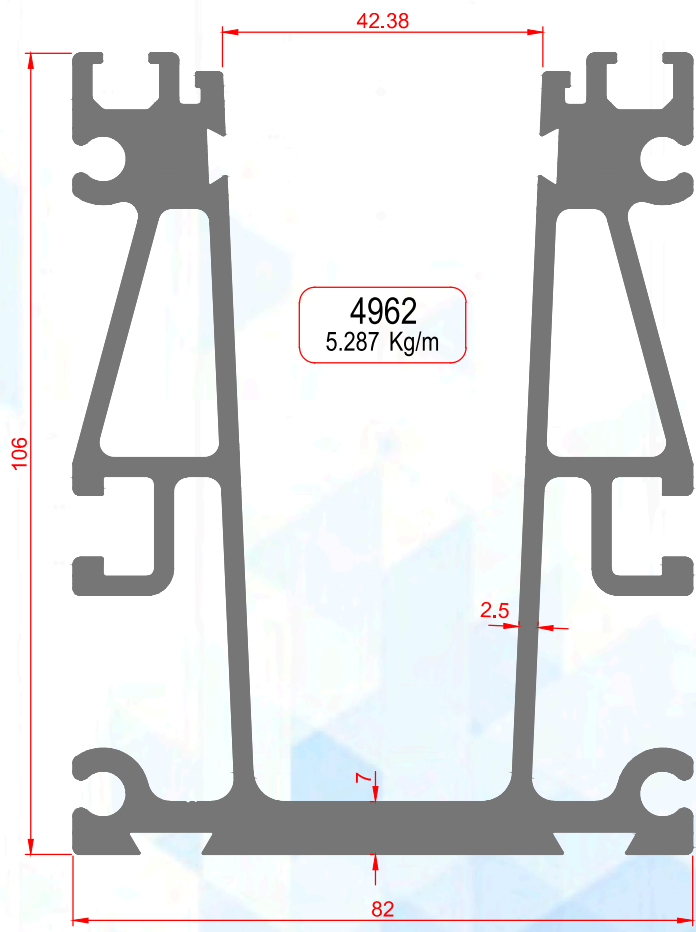


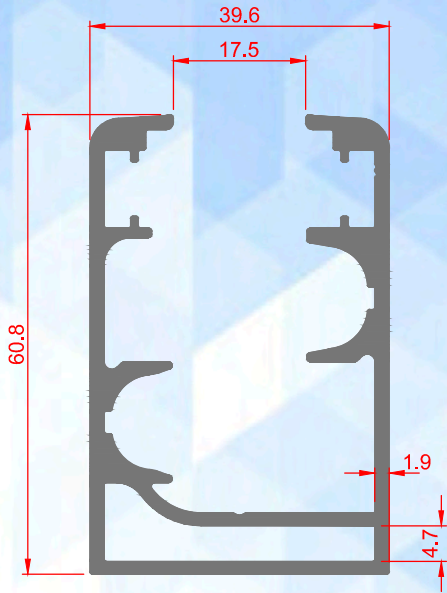
2311
8.129 Kg/m



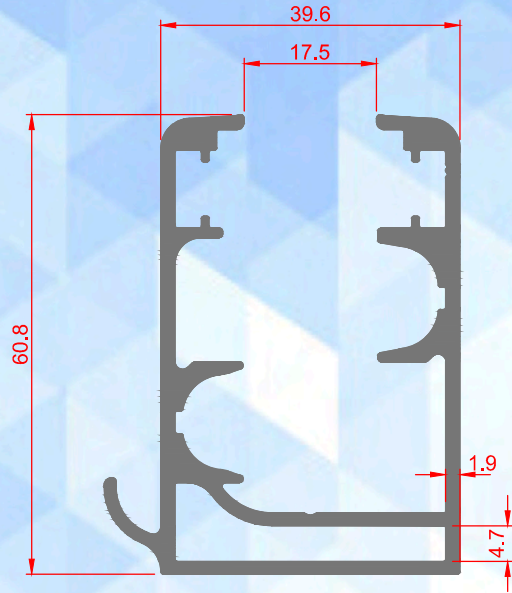
2312
1.365 Kg/m

2313
0.629 Kg/m

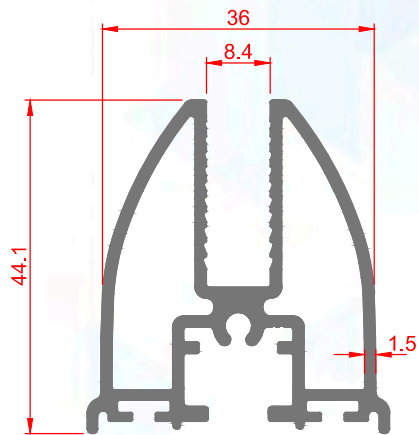




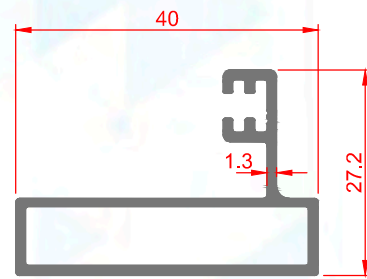
2563
1.409 Kg/m



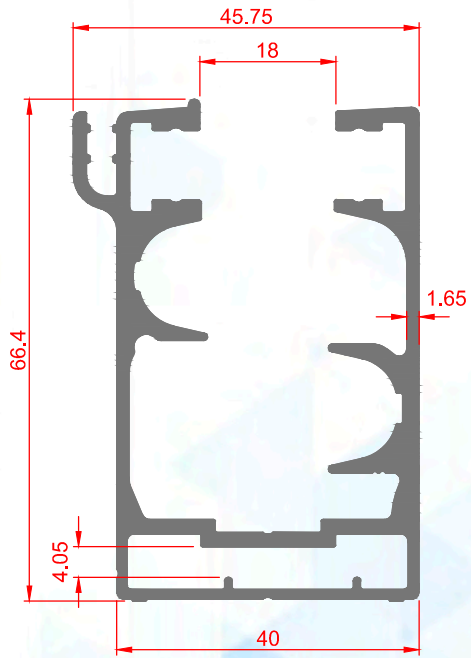
2947
1.466 Kg/m



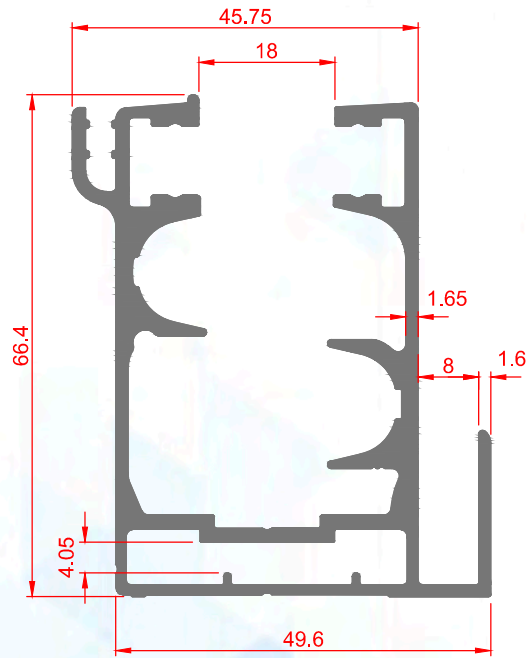
2564
1.007 Kg/m



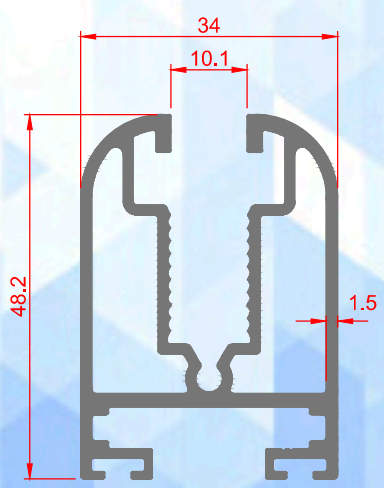
2565
0.444 Kg/m



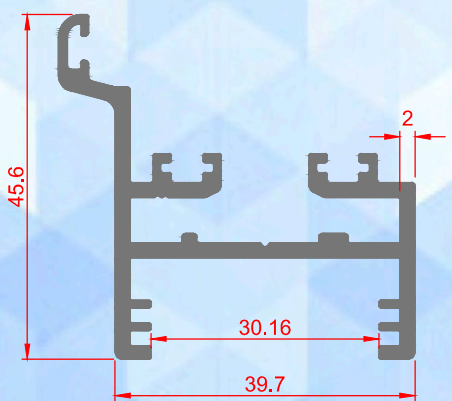
5157
1.582 Kg/m



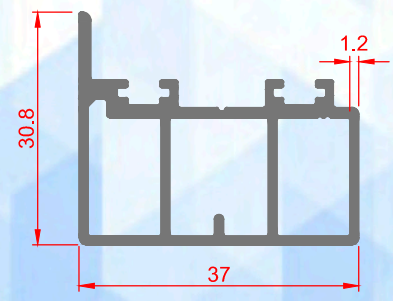
5158
1.713 Kg/m



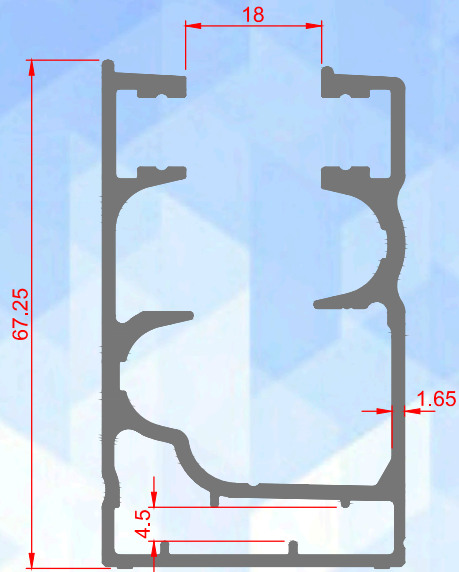
5259
1.065 Kg/m



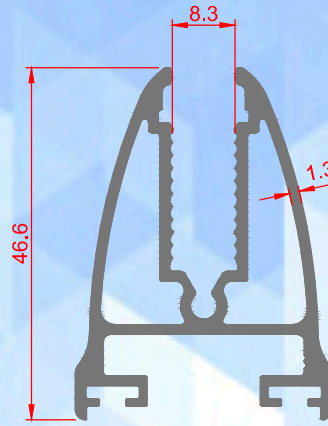
5159
0.878 Kg/m



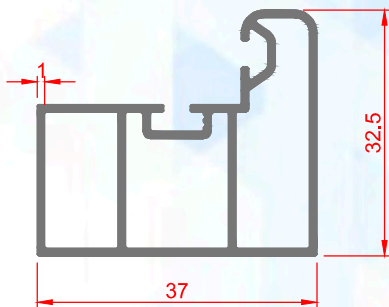
5160
0.609 Kg/m



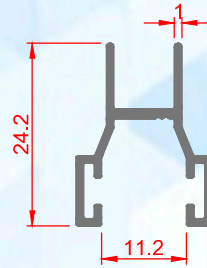
3437
1.414 Kg/m



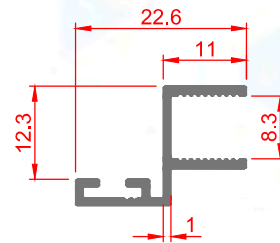
3438
0.864 Kg/m



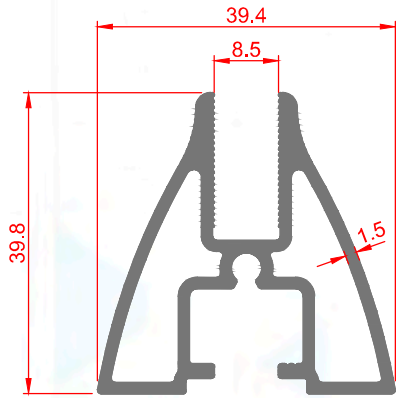
3439
0.503 Kg/m



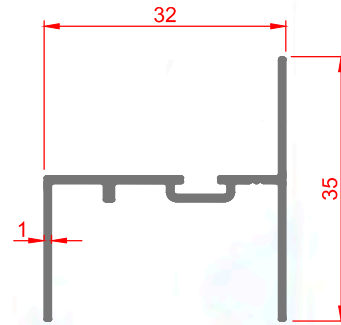
3440
0.205 Kg/m



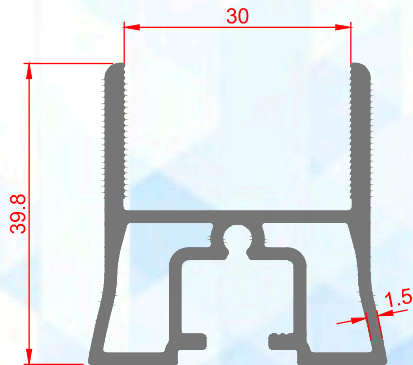
3441
0.162 Kg/m



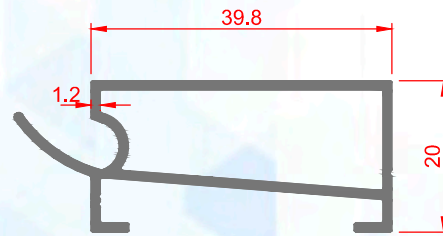
1876
0.854 Kg/m



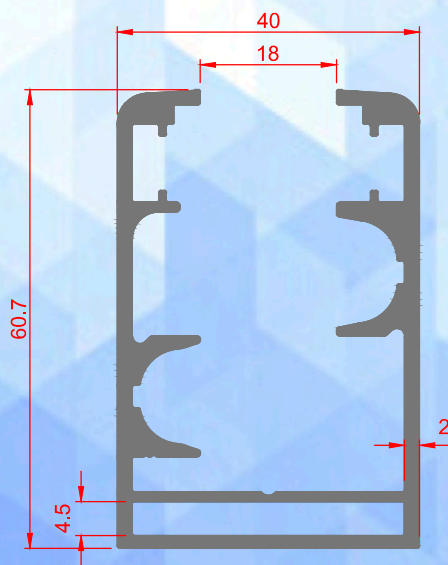
1874
0.254 Kg/m



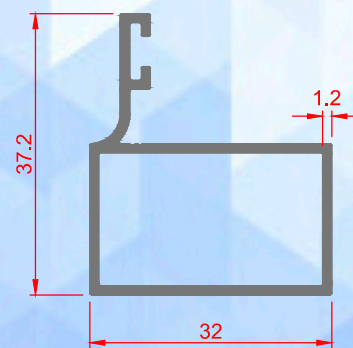
1875
0.874 Kg/m



1877
0.445 Kg/m

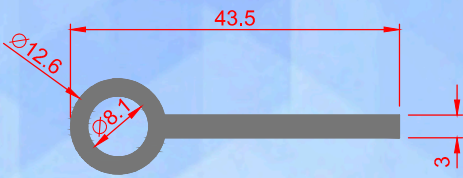


4446
1.410 Kg/m

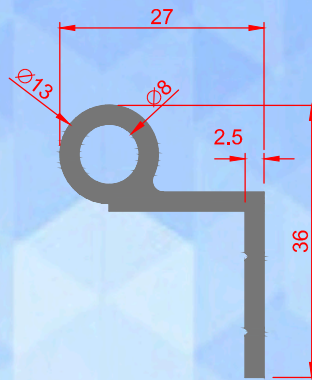


4447
0.414 Kg/m

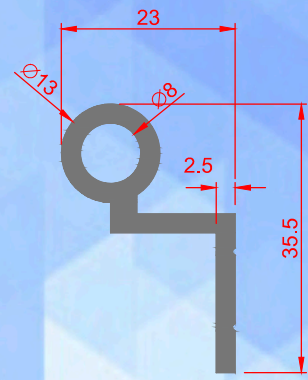
Hinge Profiles



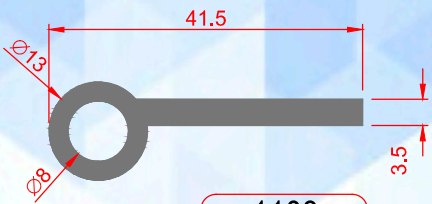
1031
0.448 Kg/m



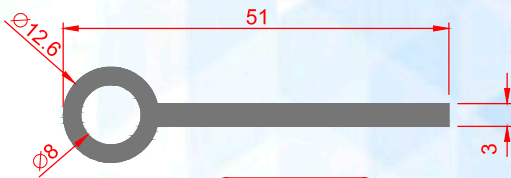
1101
0.501 Kg/m



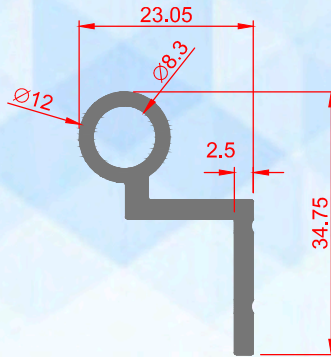
1102
0.475 Kg/m



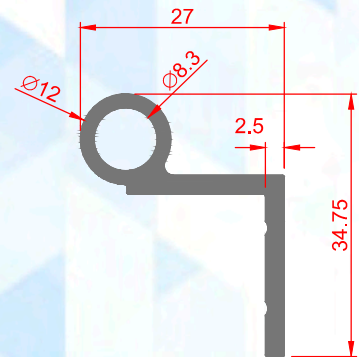
1103
0.498 Kg/m



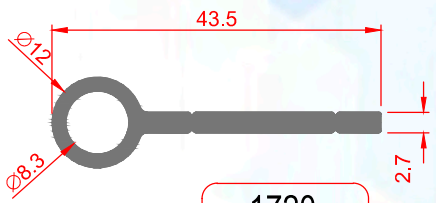
1077
0.512 Kg/m



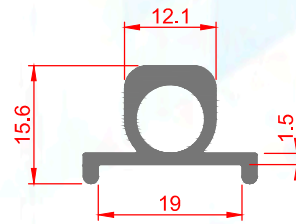
1718
0.414 Kg/m



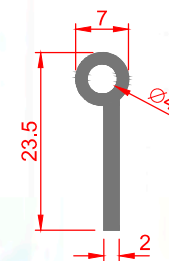
1719
0.439 Kg/m



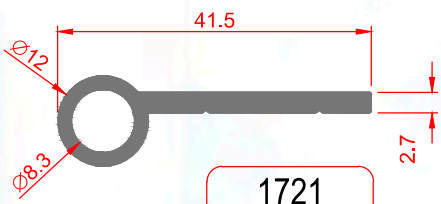
1720
0.388 Kg/m



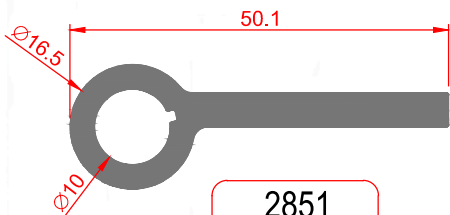
2850
0.296 Kg/m



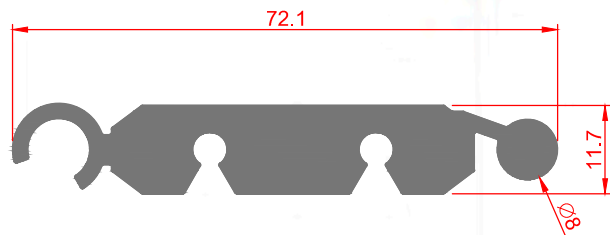
3811
0.161 Kg/m



1721
0.378 Kg/m

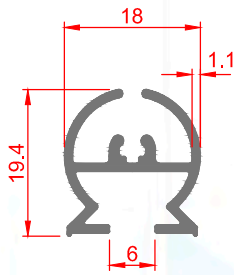


2851
0.777 Kg/m

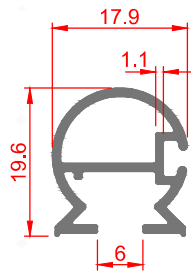


2625
1.572 Kg/m

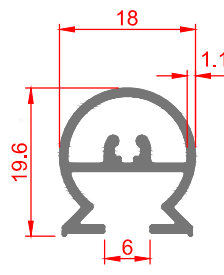
Shower Cabin Profiles



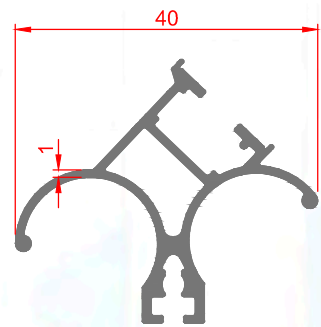
1022
0.249 Kg/m



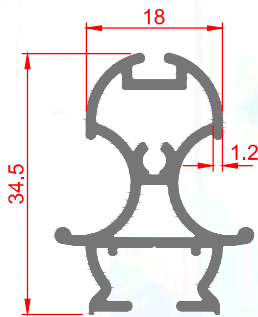
1023
0.239 Kg/m



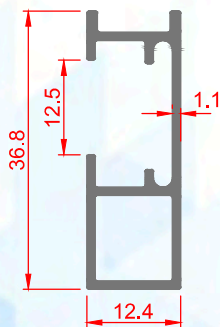
1024
0.257 Kg/m



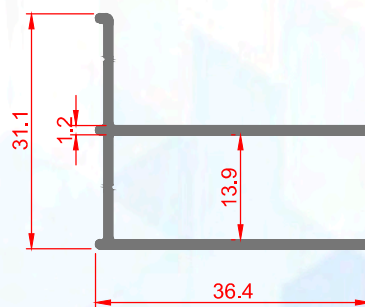
1026
0.402 Kg/m



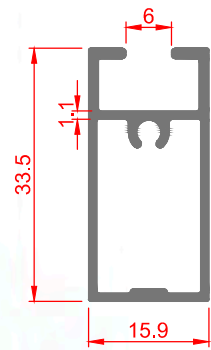
1010
0.478 Kg/m



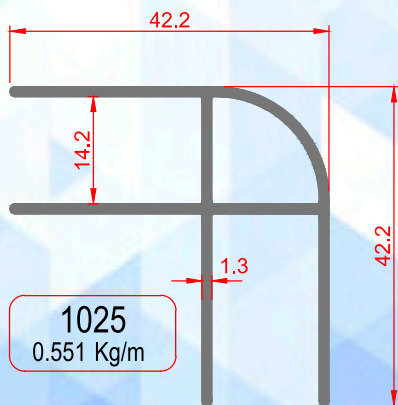
1008
0.296 Kg/m



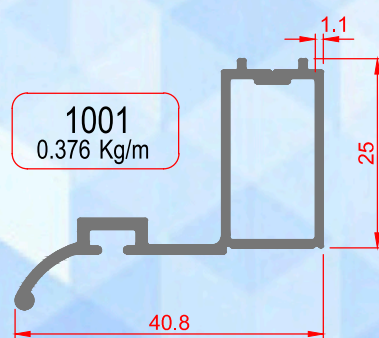
1004
0.330 Kg/m



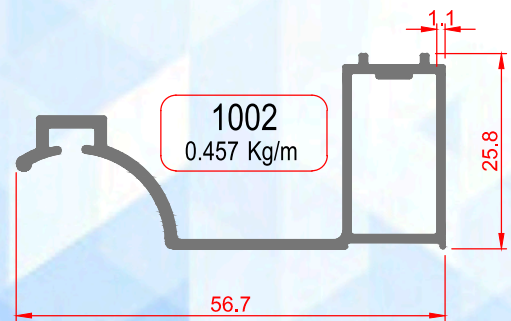
1009
0.350 Kg/m



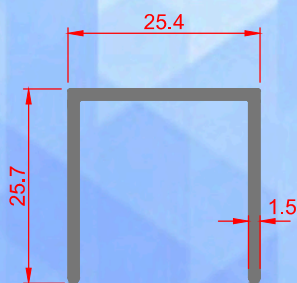
1025
0.551 Kg/m



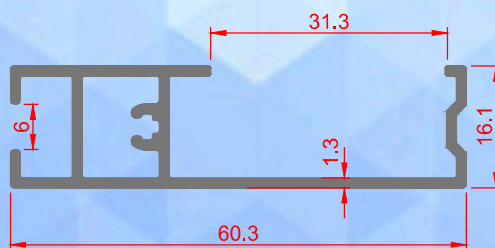
1001
0.376 Kg/m



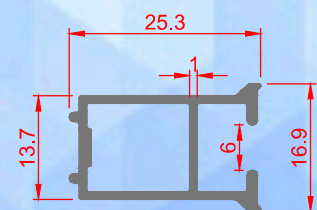
1002
0.457 Kg/m



1256
0.298 Kg/m

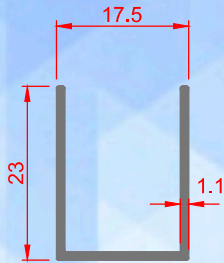


1007
0.517 Kg/m

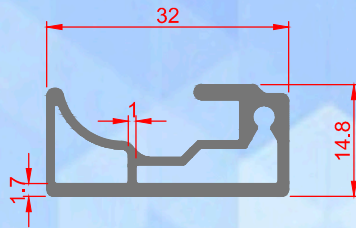


1003
0.246 Kg/m

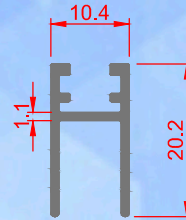
Shower Cabin Profiles



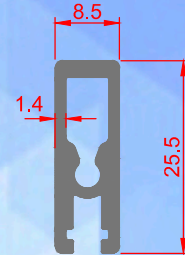
1386
0.182 Kg/m



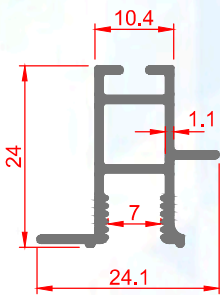
1735
0.412 Kg/m



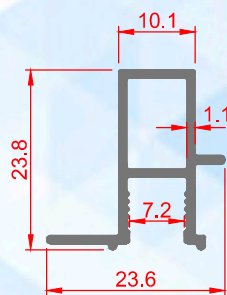
1736
0.163 Kg/m



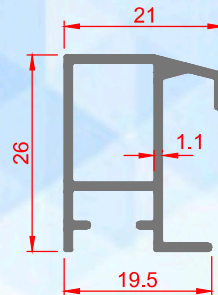
1737
0.320 Kg/m



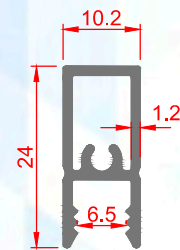
1248
0.265 Kg/m



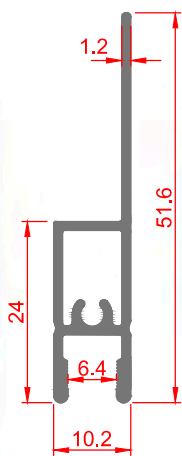
1249
0.239 Kg/m



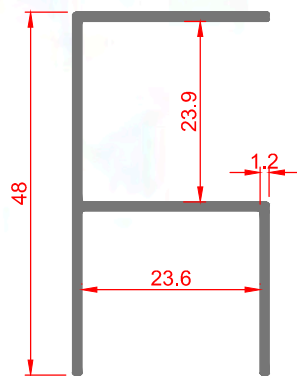
1250
0.294 Kg/m



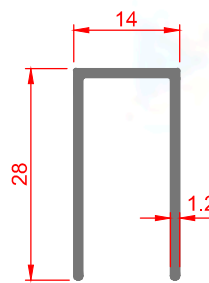
1252
0.236 Kg/m



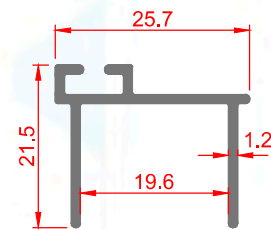
1253
0.333 Kg/m



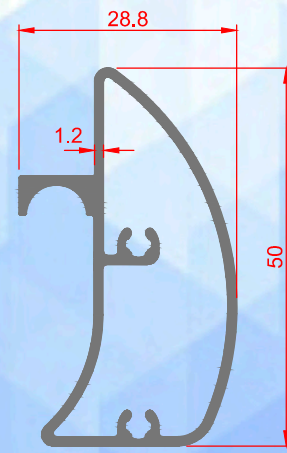
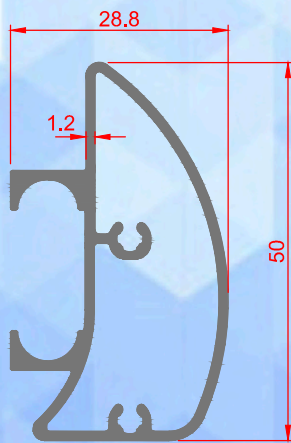
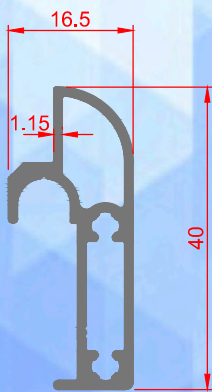
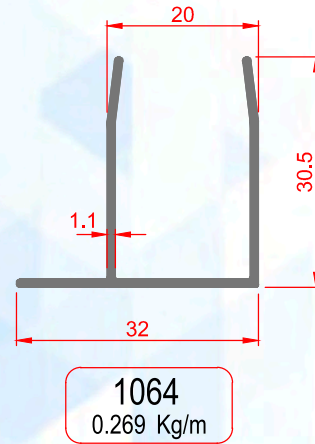
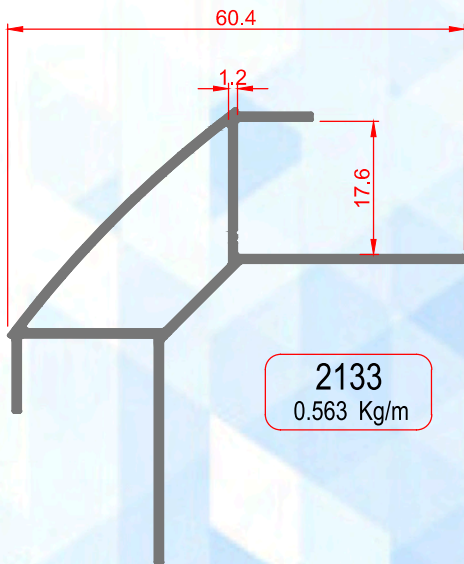
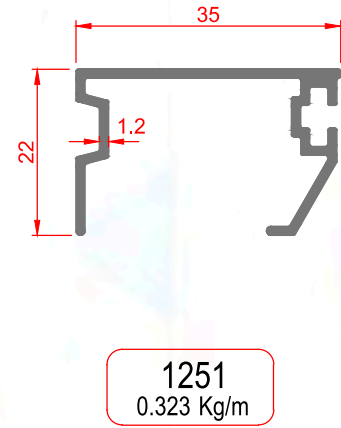
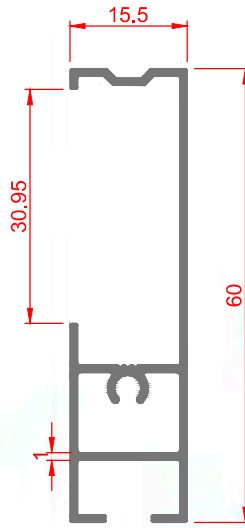
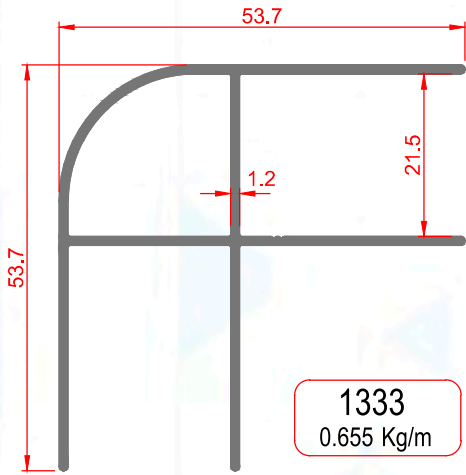
1254
0.386 Kg/m

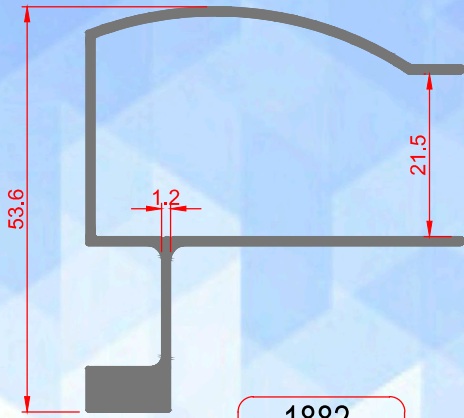


1257
0.218 Kg/m

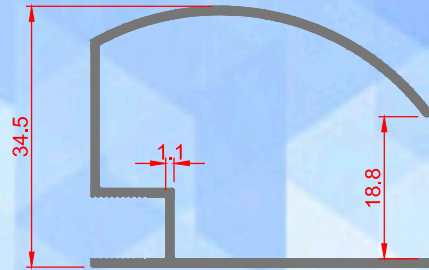


1255
0.229 Kg/m

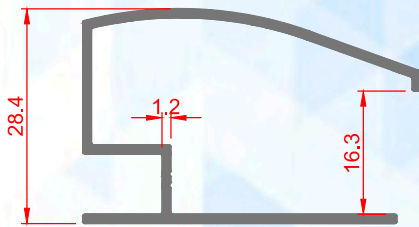




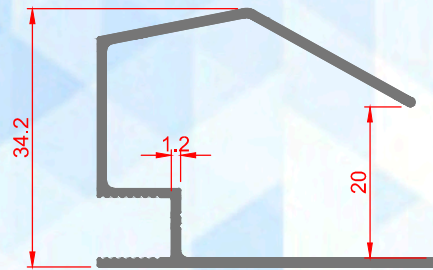
1882
0.653 Kg/m



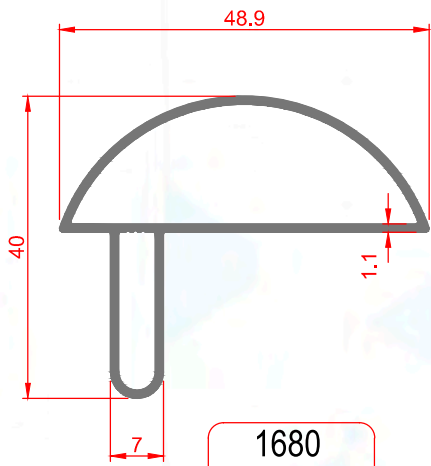
1006
0.390 Kg/m



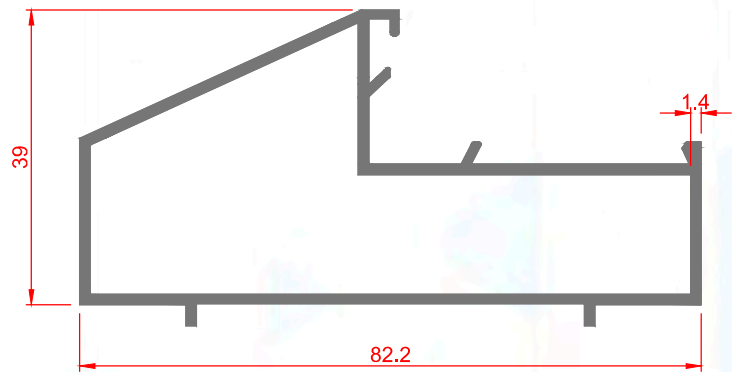
1741
0.402 Kg/m



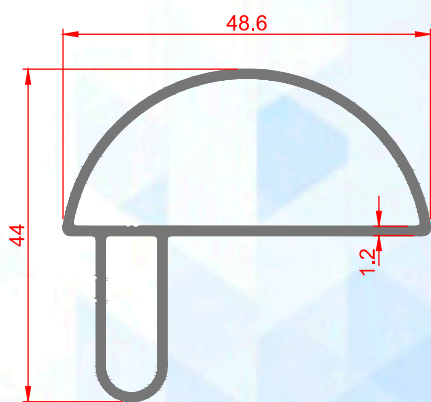
1742
0.410 Kg/m



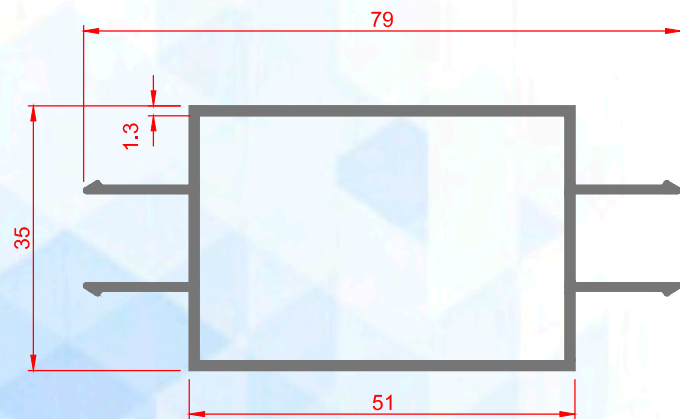
1680
0.463 Kg/m



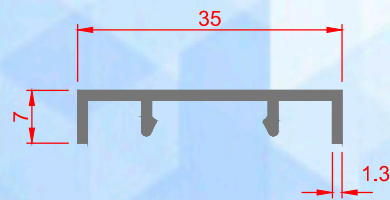
1679
0.913 Kg/m



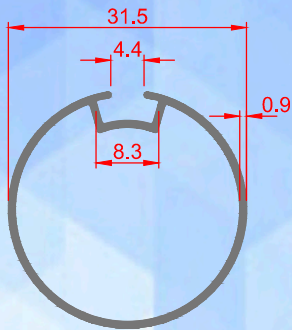
2204
0.530 Kg/m



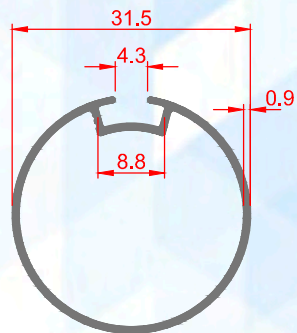
1187
0.756 Kg/m



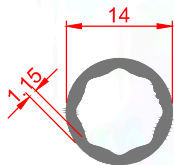
1188
0.197 Kg/m



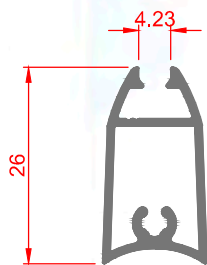
2402
0.257 Kg/m



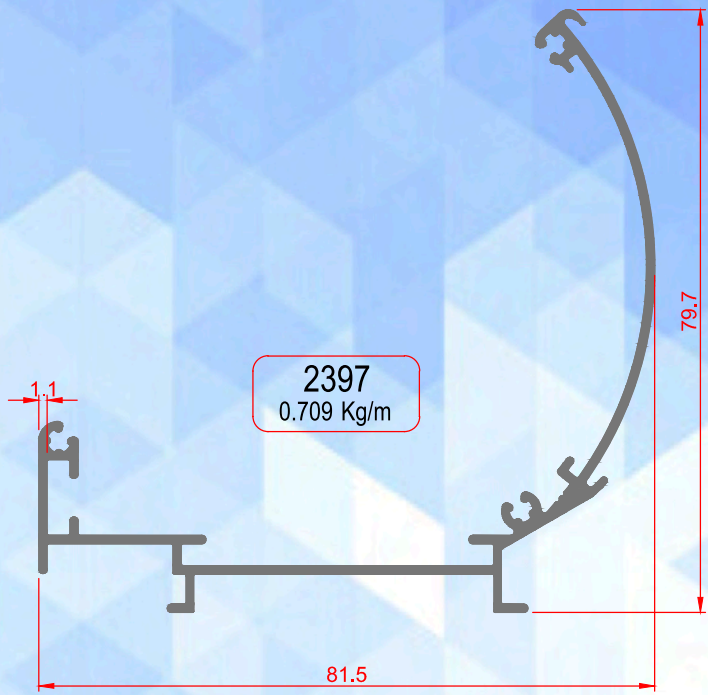
2823
0.257 Kg/m



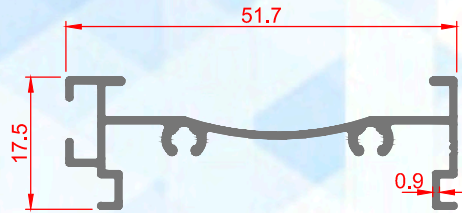
2403
0.153 Kg/m



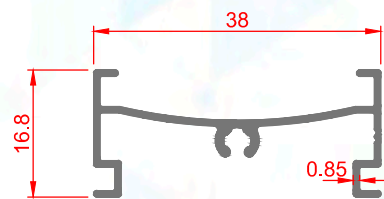
2398
0.250 Kg/m



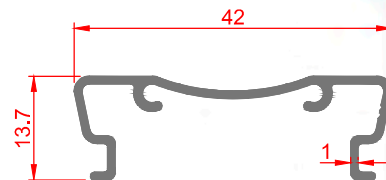
2397
0.709 Kg/m



2399
0.327 Kg/m

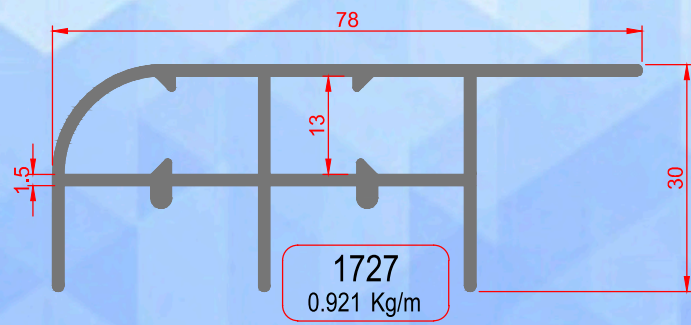
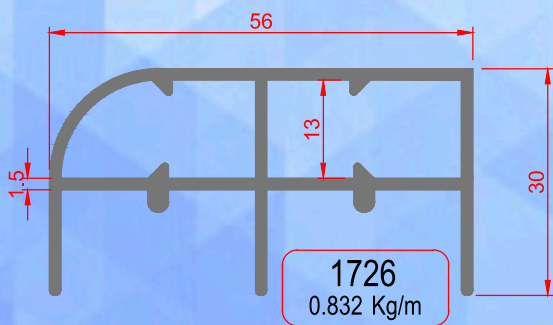
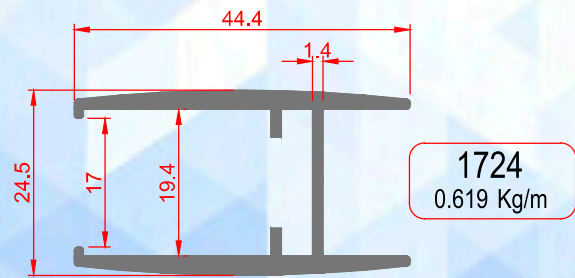
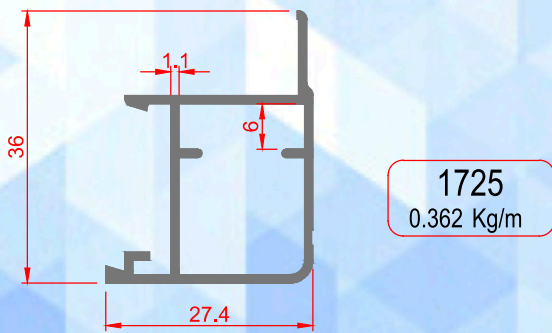
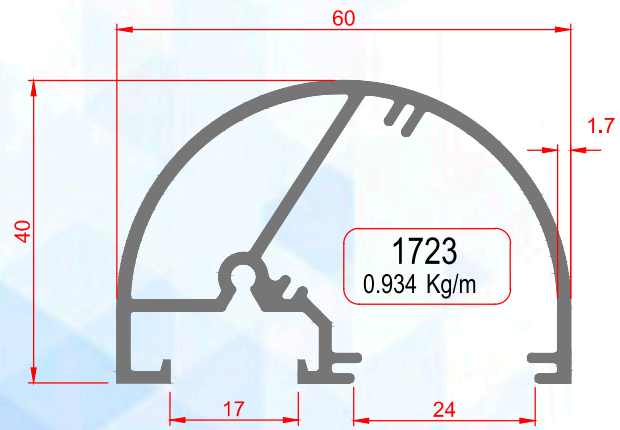
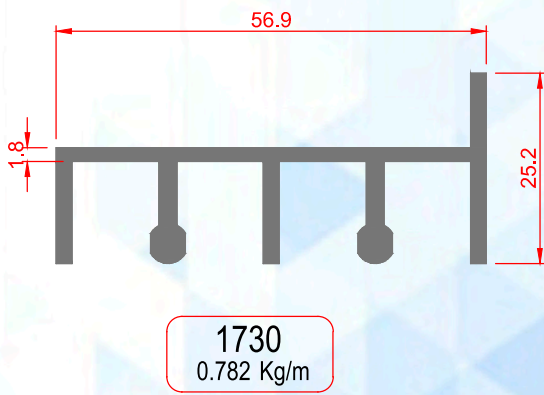
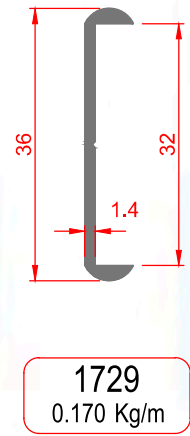
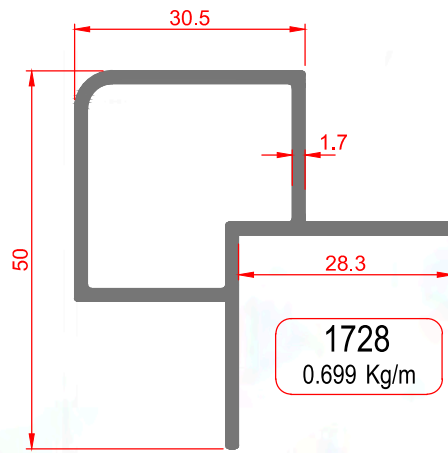
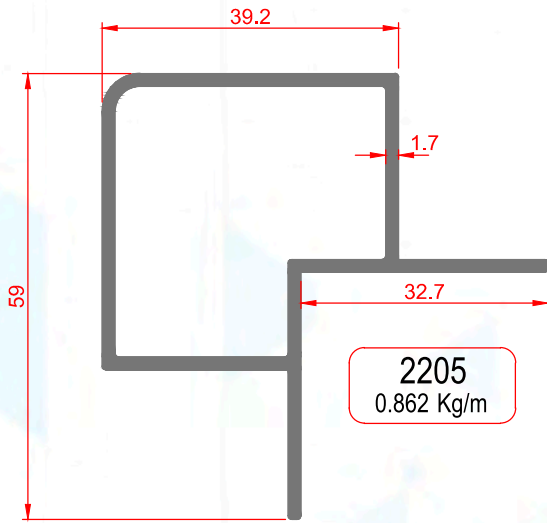


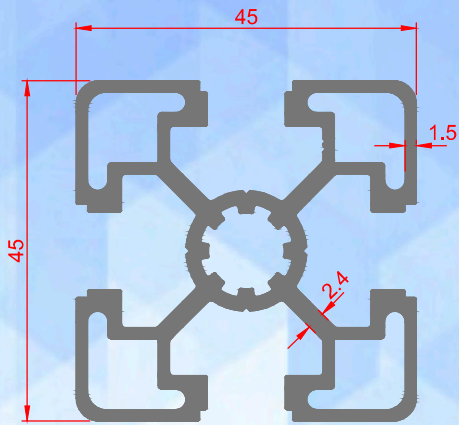
2400
0.227 Kg/m



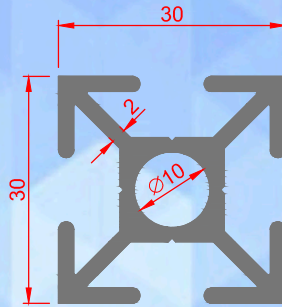
2401
0.240 Kg/m

Cooler Profiles

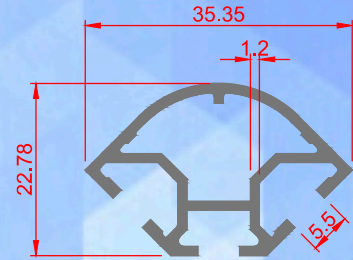




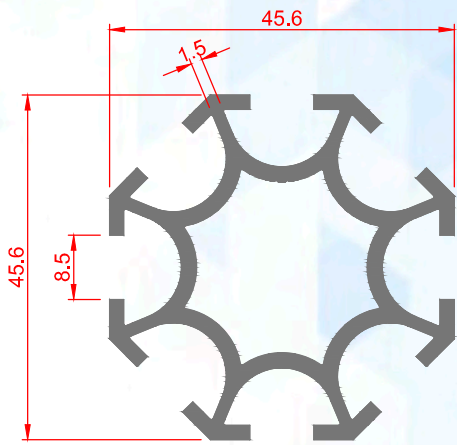
2533
1.565 Kg/m



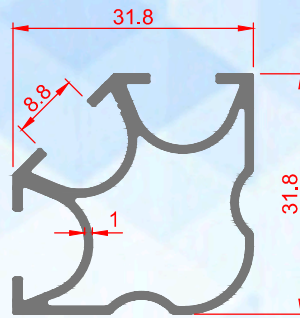
1684
0.899 Kg/m



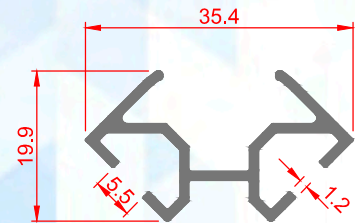
1421
0.393 Kg/m



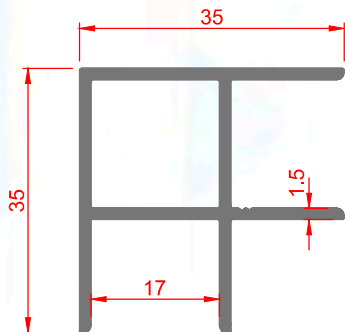
1694
1.166 Kg/m



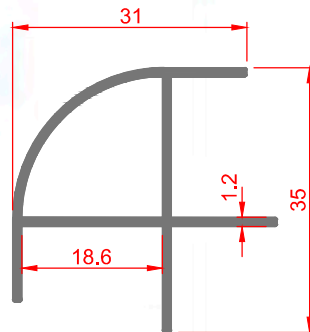
1217
0.470 Kg/m



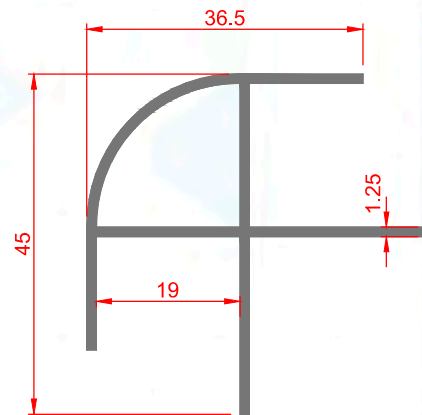
1239
0.307 Kg/m



3519
0.540 Kg/m

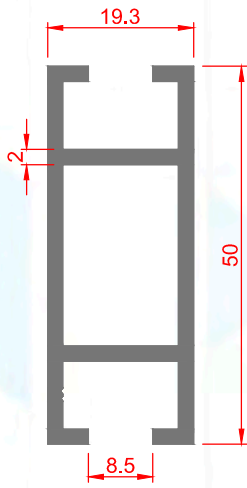


1183
0.385 Kg/m

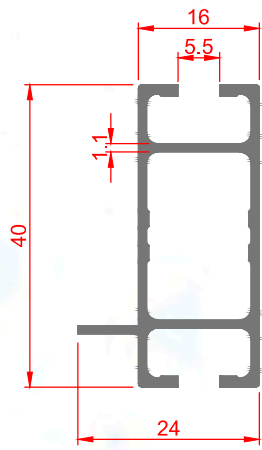


1182
0.505 Kg/m

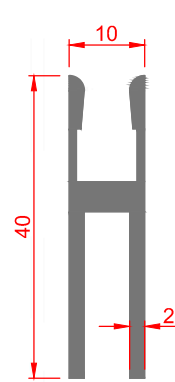
Display Window and Stand Profiles



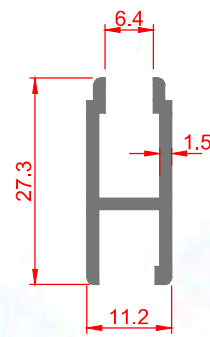
2224
0.779 Kg/m



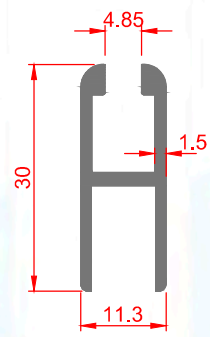
1685
0.427 Kg/m



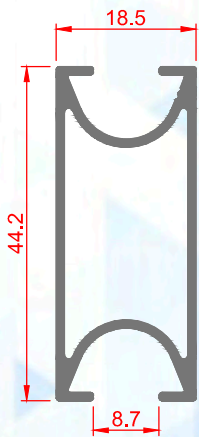
1691
0.448 Kg/m



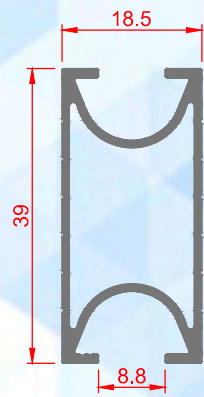
1689
0.269 Kg/m



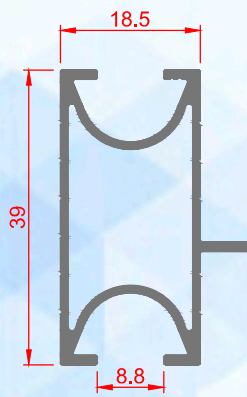
1690
0.300 Kg/m



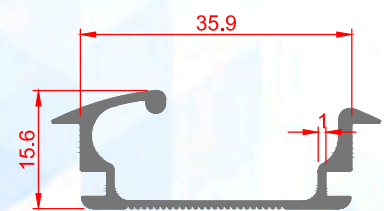
3431
0.467 Kg/m



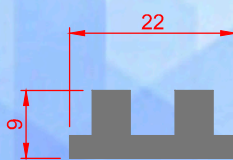
1216
0.404 Kg/m



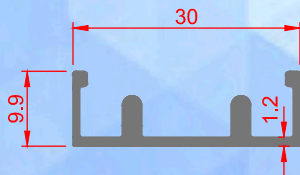
1215
0.428 Kg/m



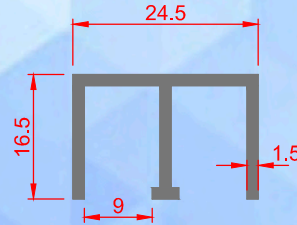
1686
0.284 Kg/m



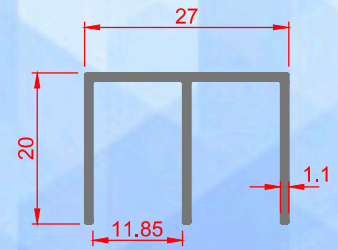
1687
0.340 Kg/m



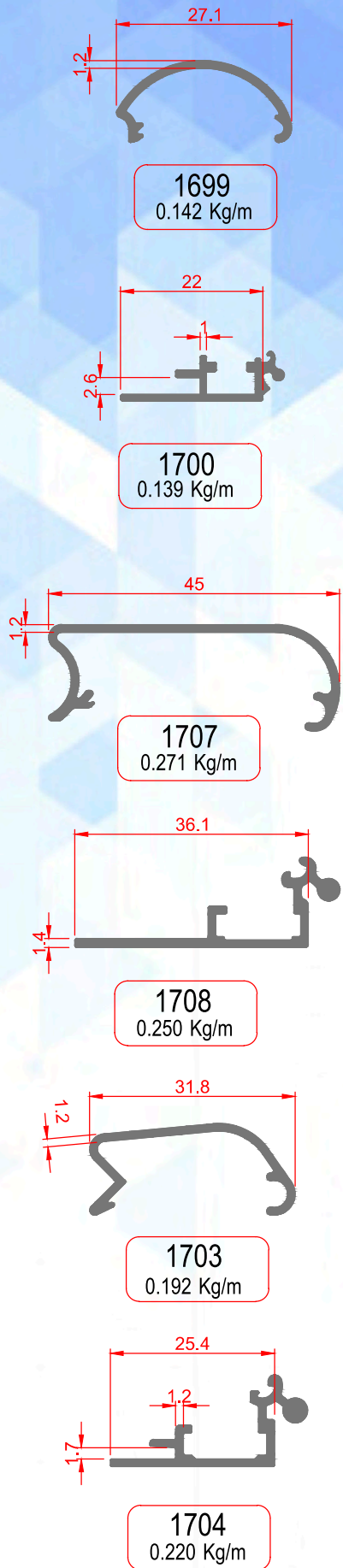
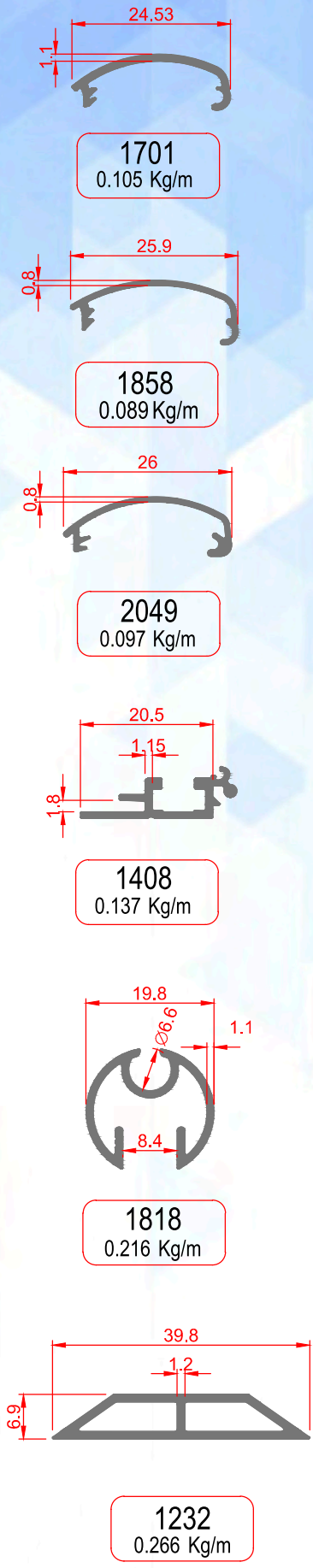
1688
0.223 Kg/m

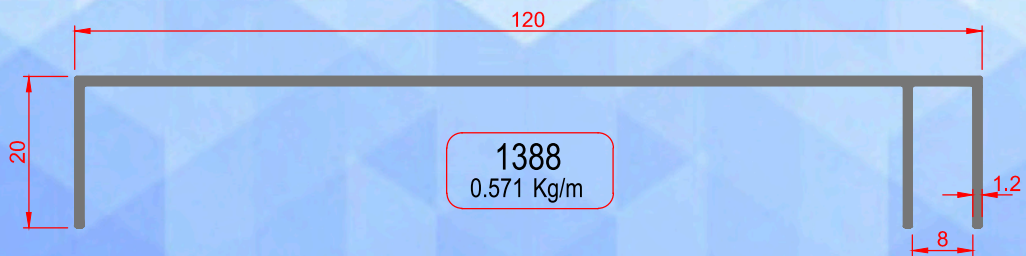
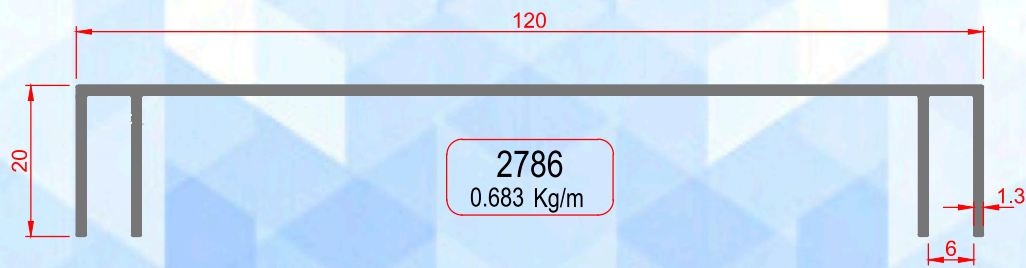
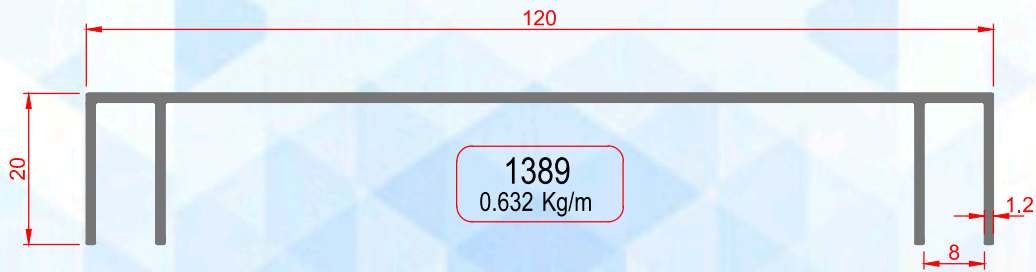
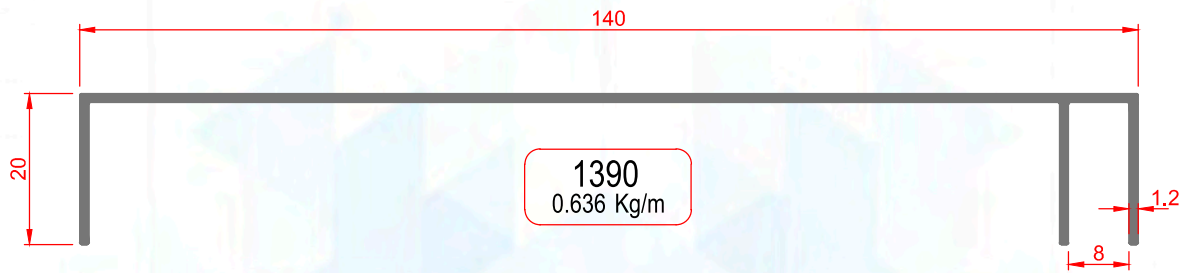
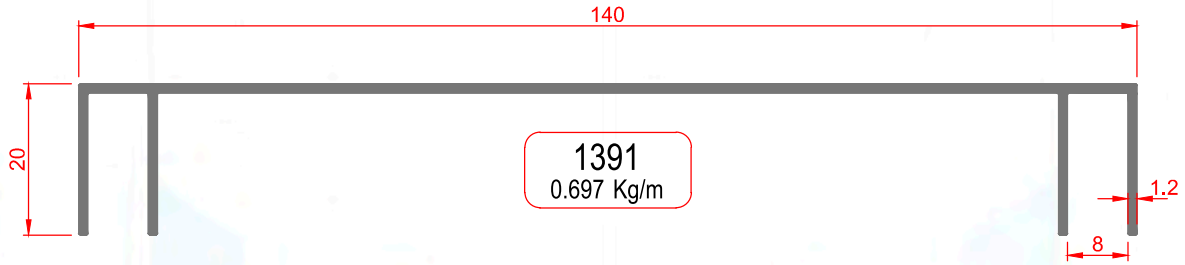


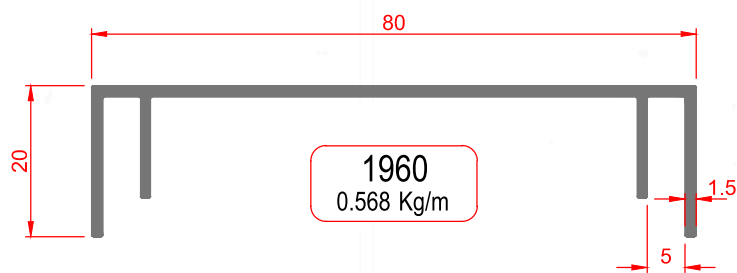
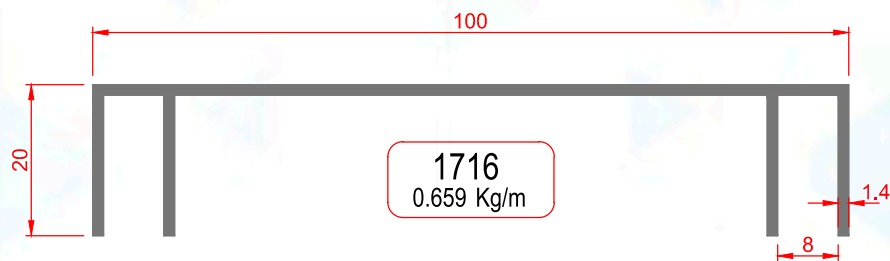
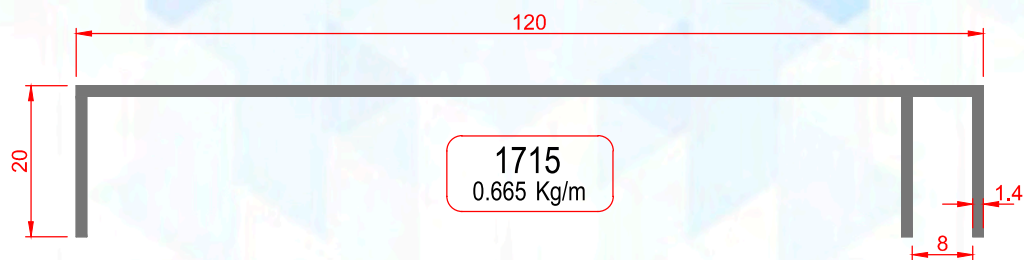
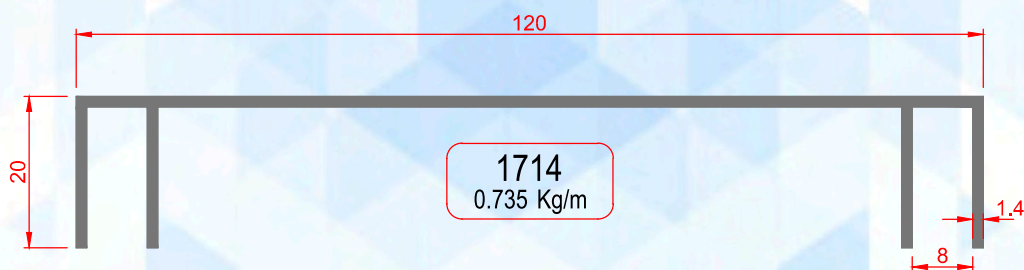
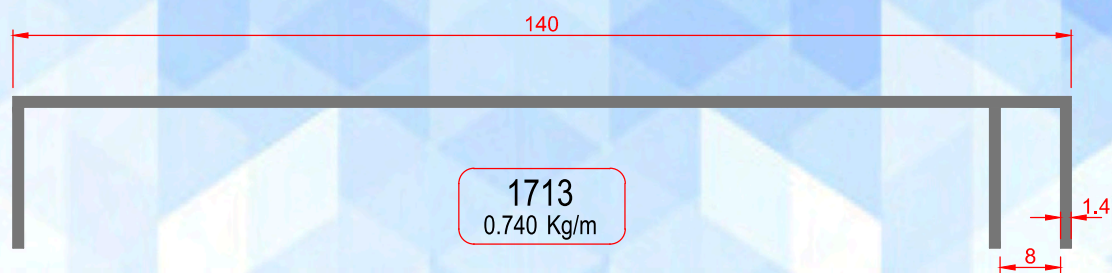
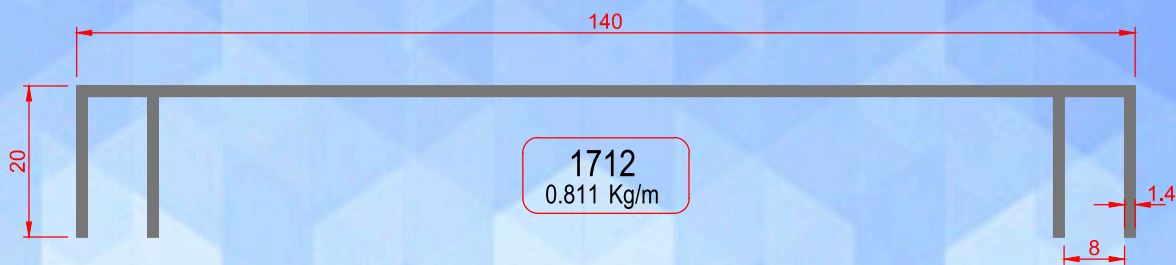
1696
0.289 Kg/m

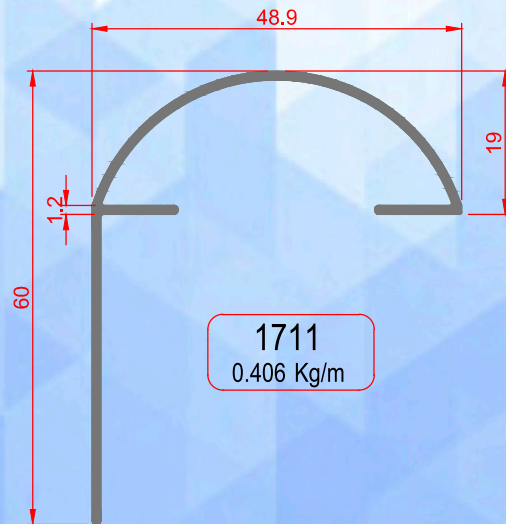
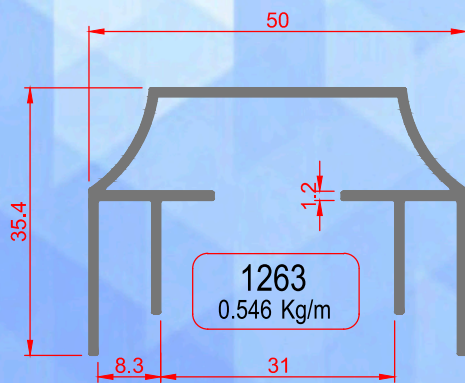
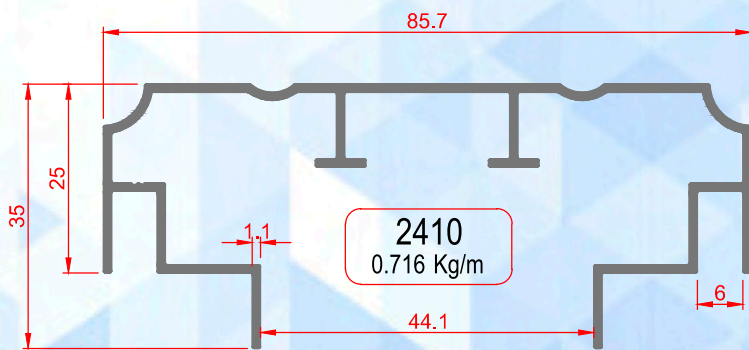
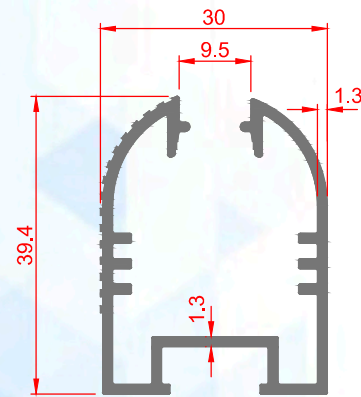
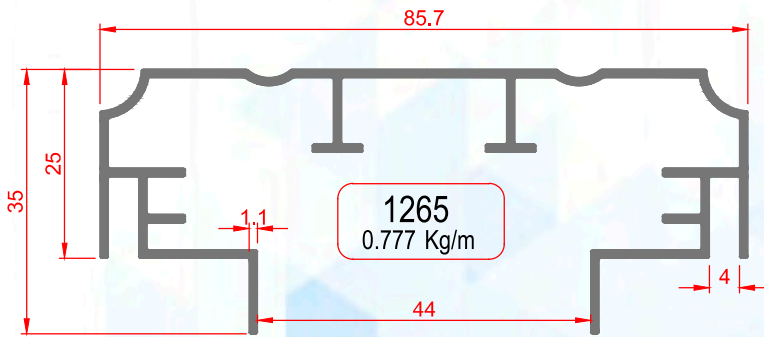
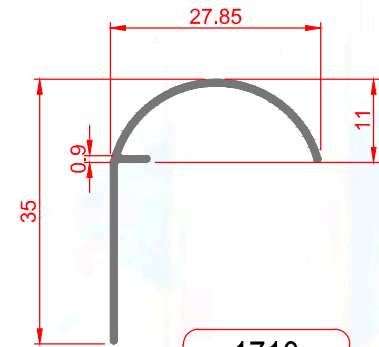
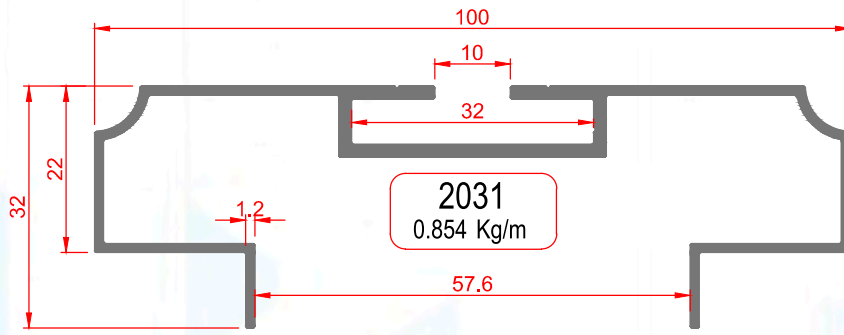


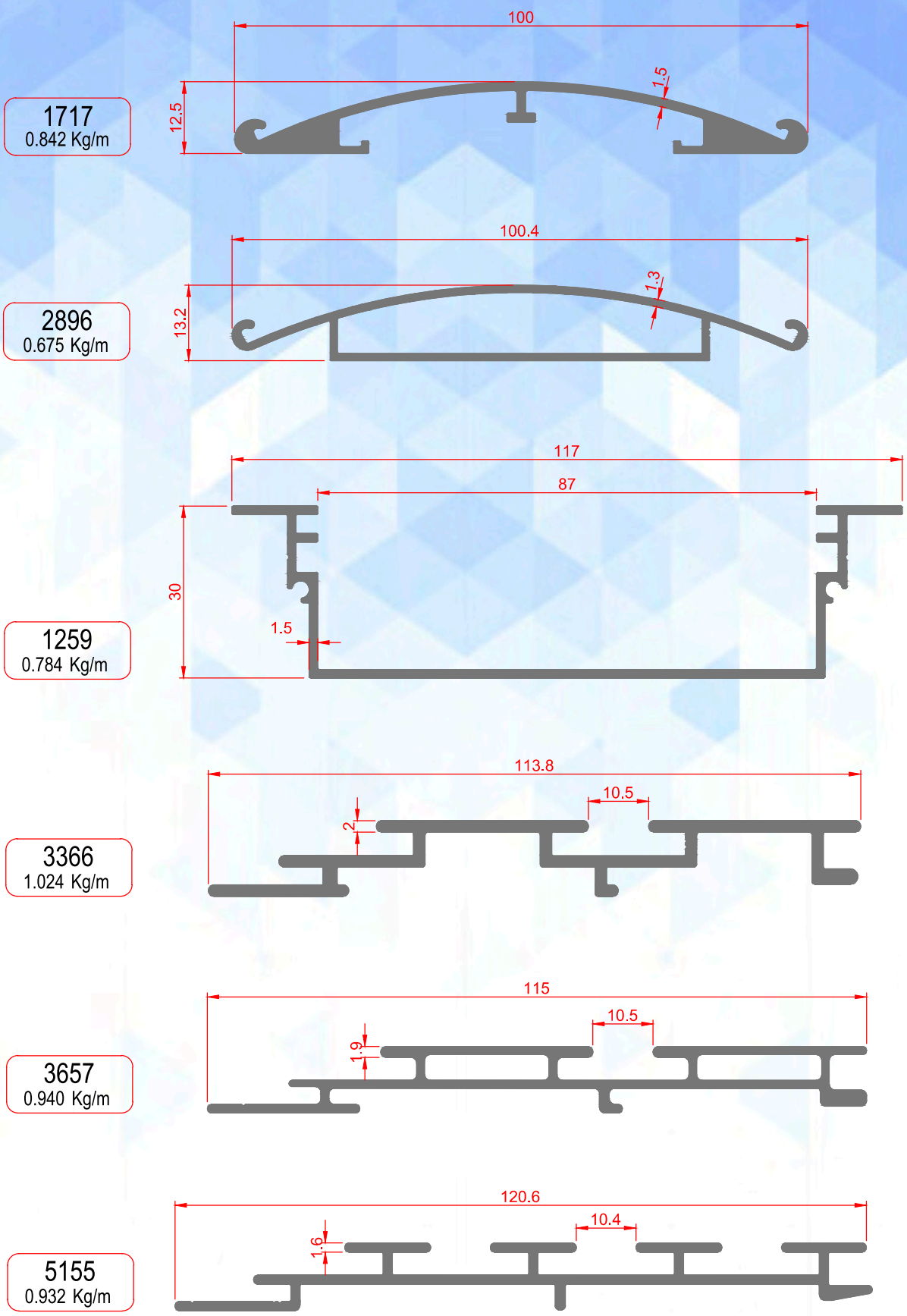
1692
0.248 Kg/m

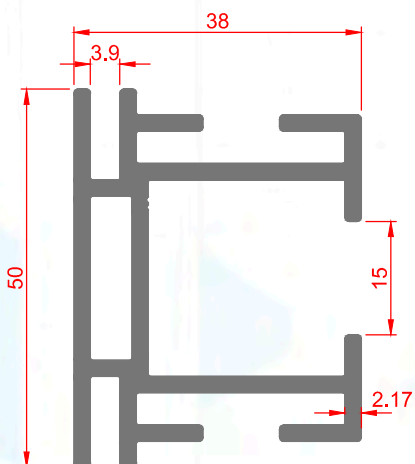




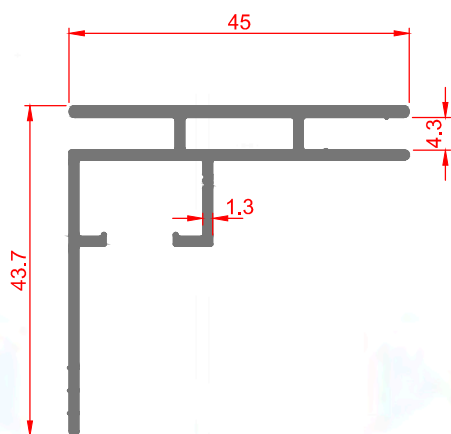




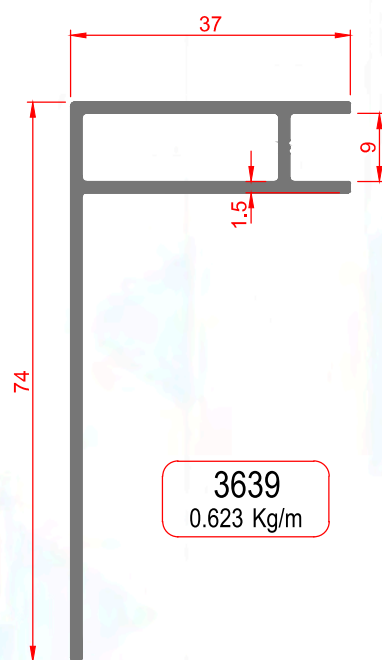




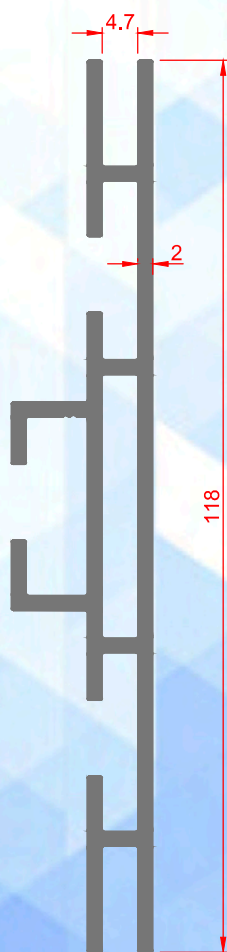
2787
1.339 Kg/m



3637
0.577 Kg/m



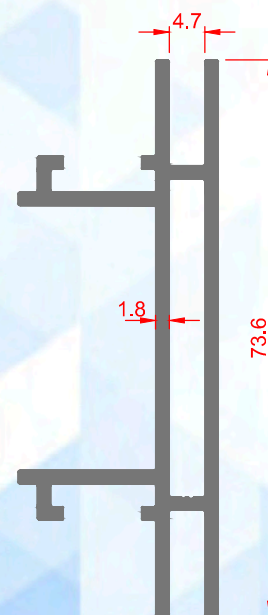
3639
0.623 Kg/m



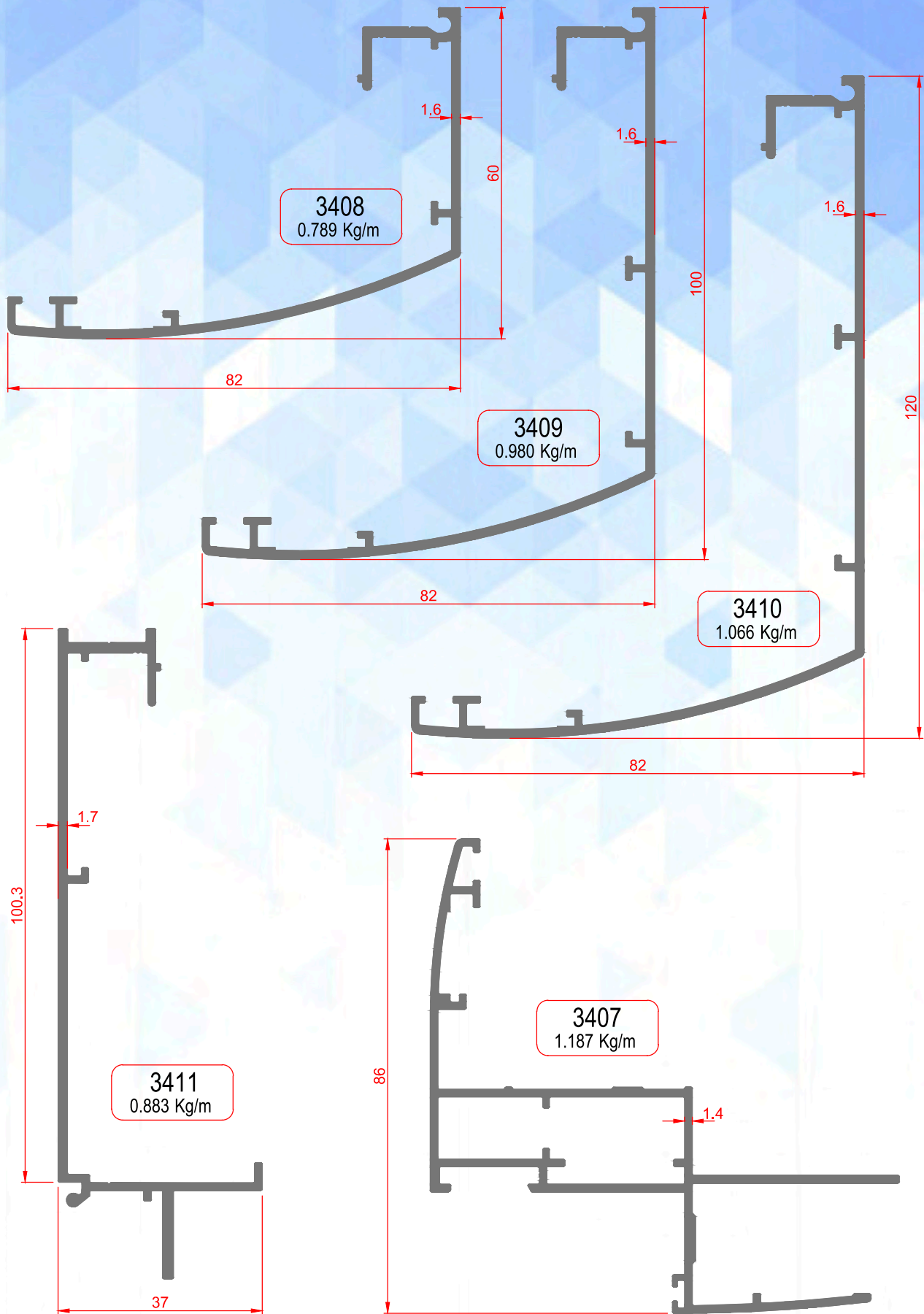
4222
1.449 Kg/m

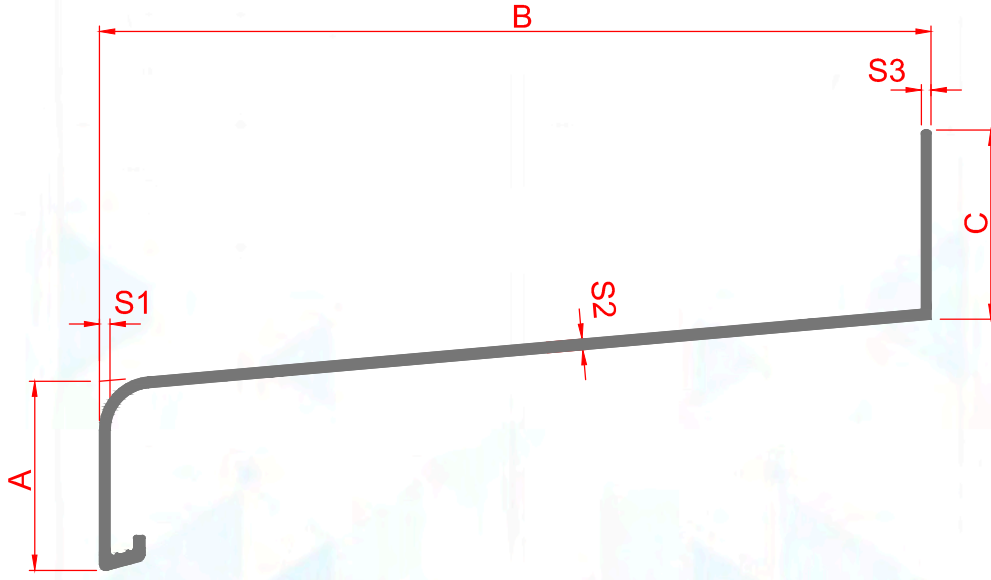


3416
1.224 Kg/m

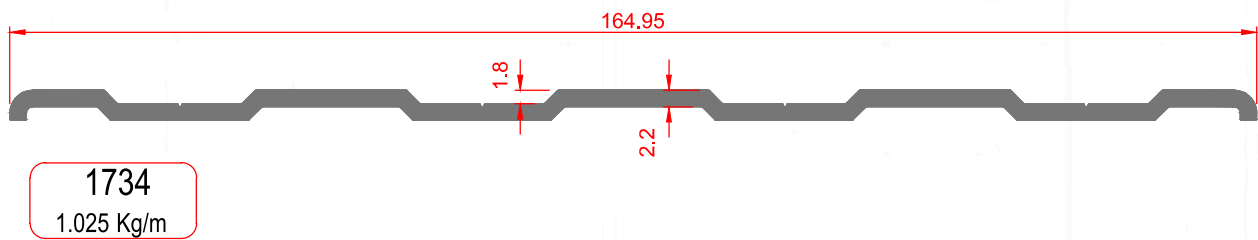
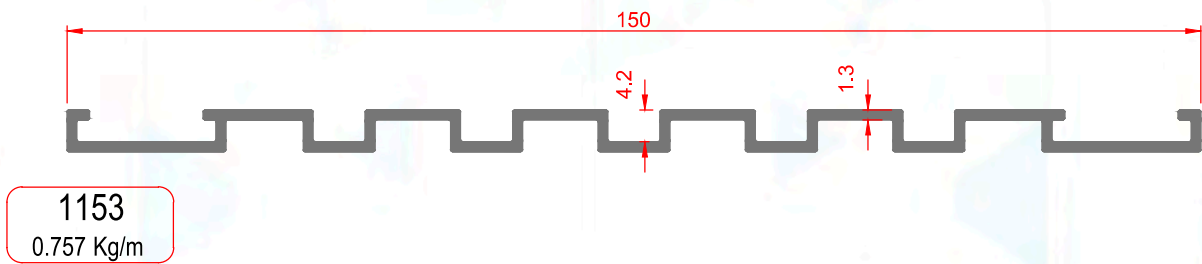
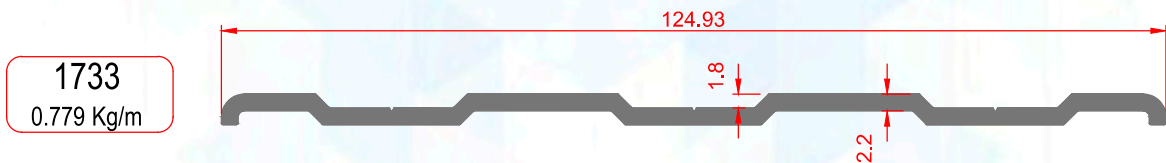
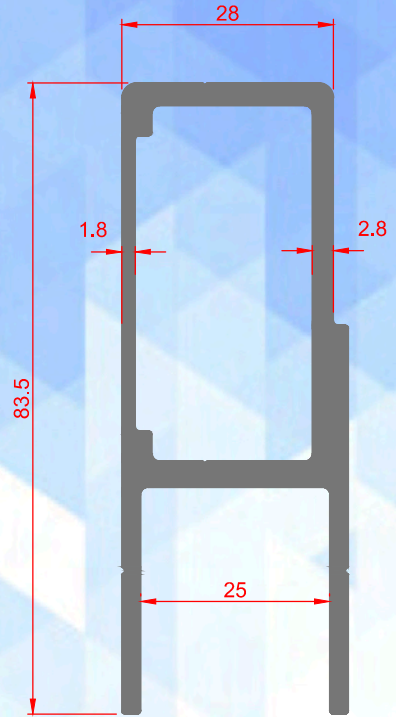
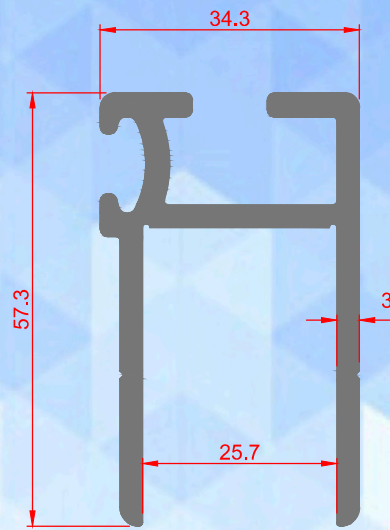
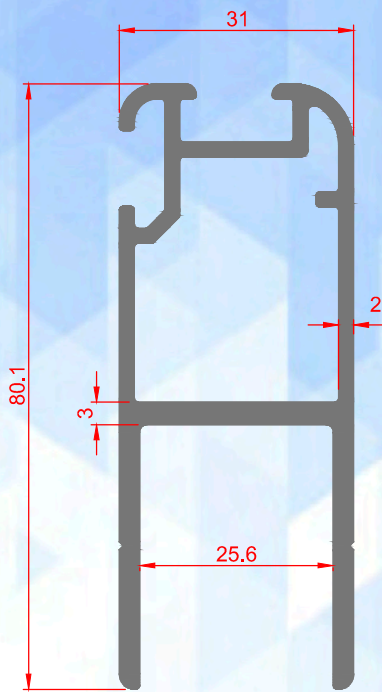


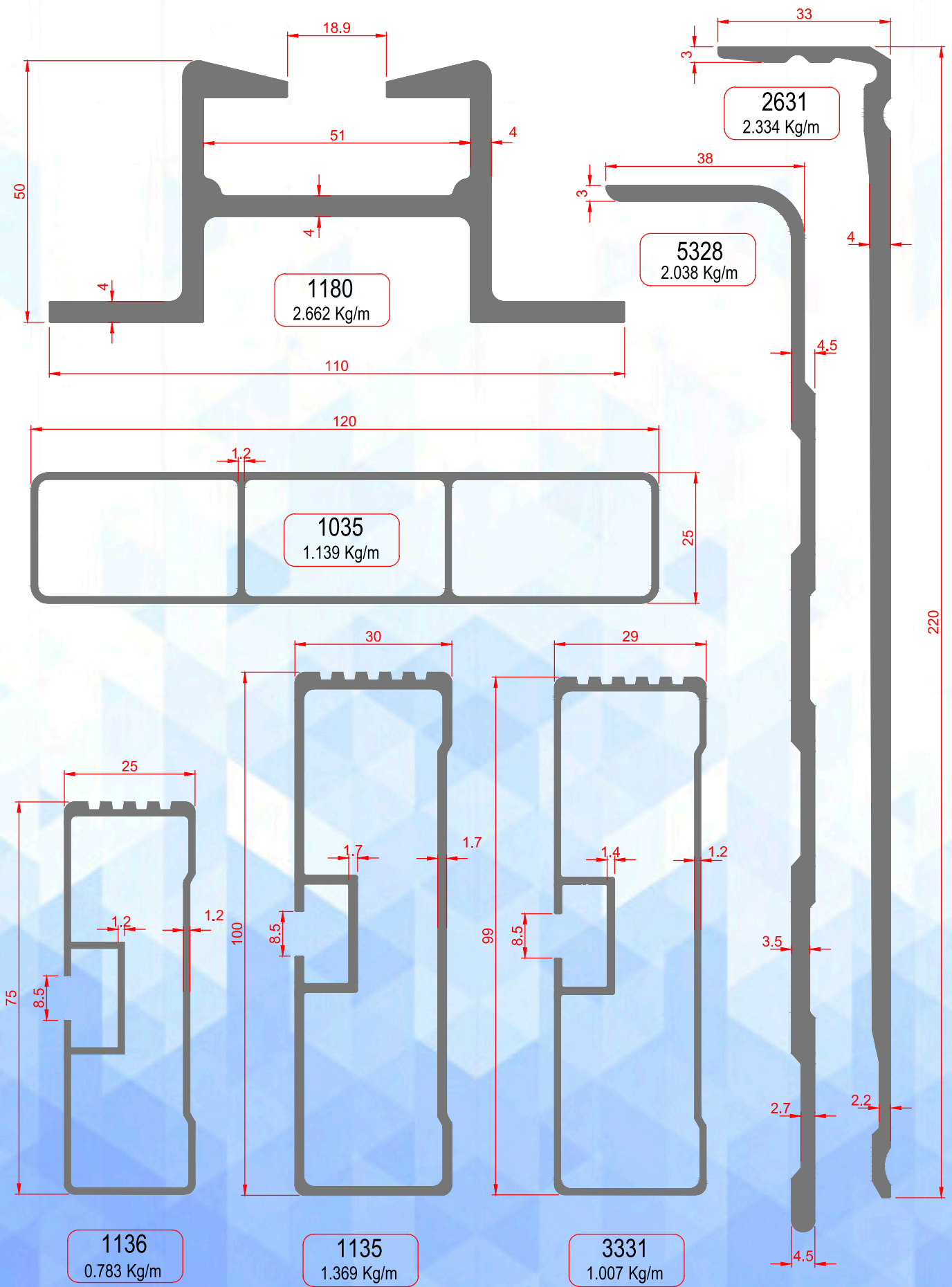
4221
1.019 Kg/m

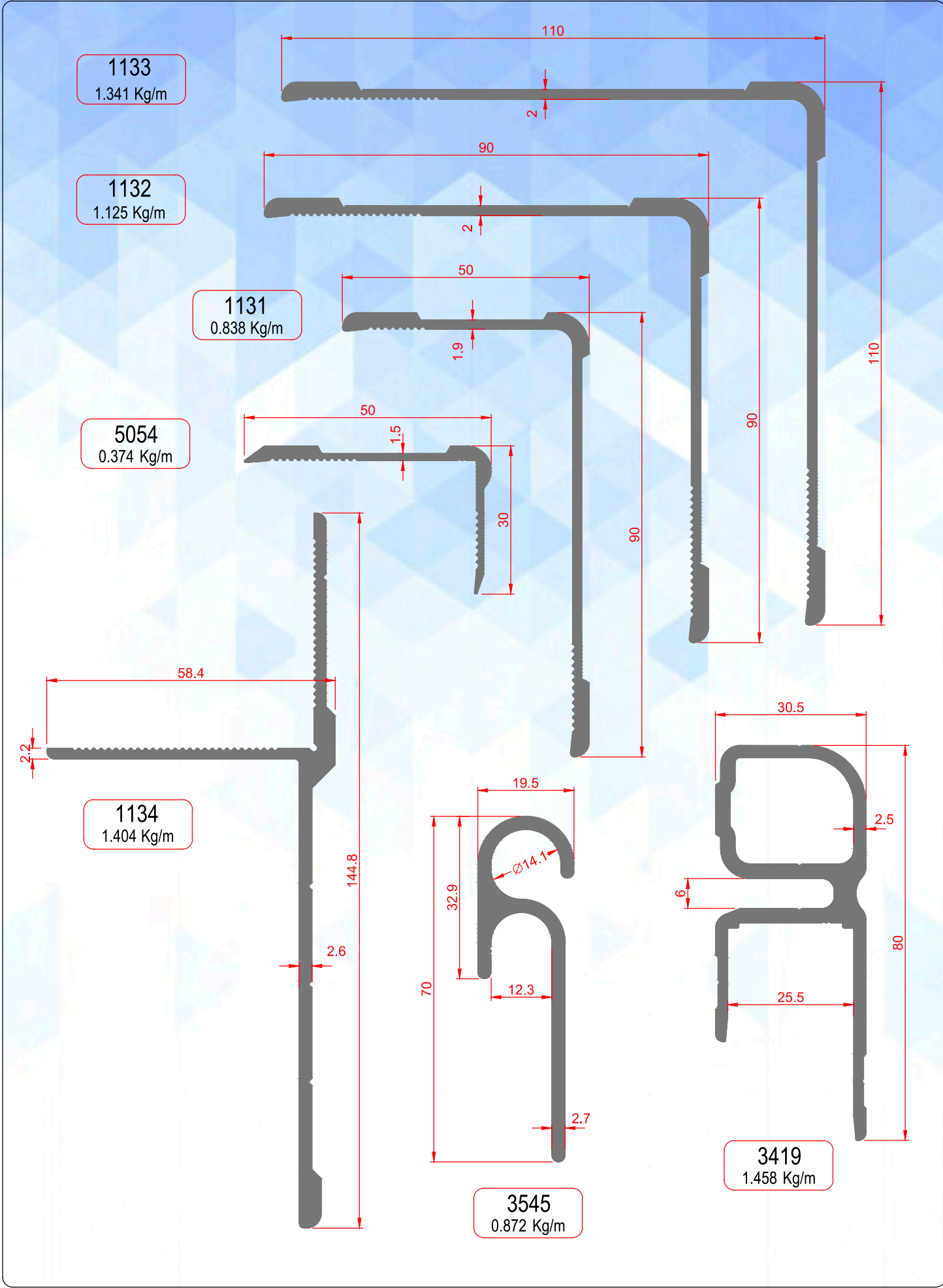


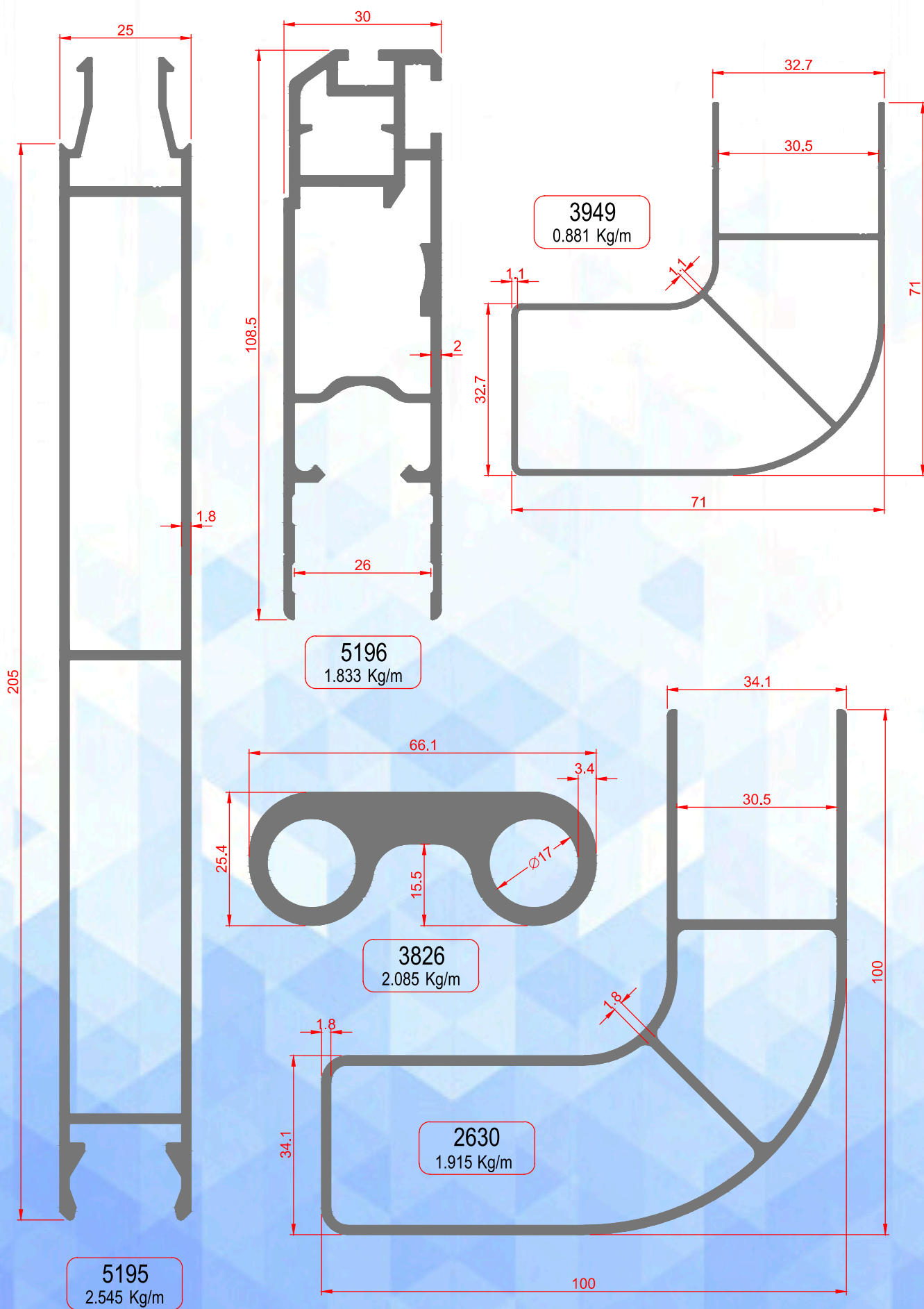


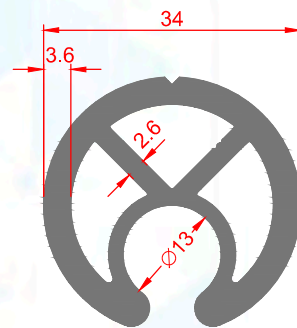
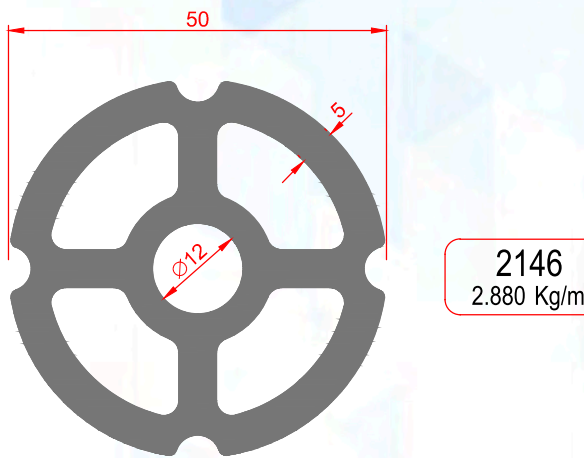
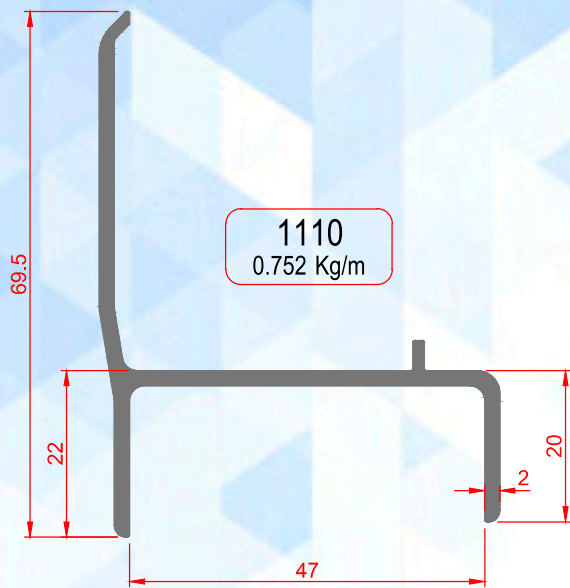
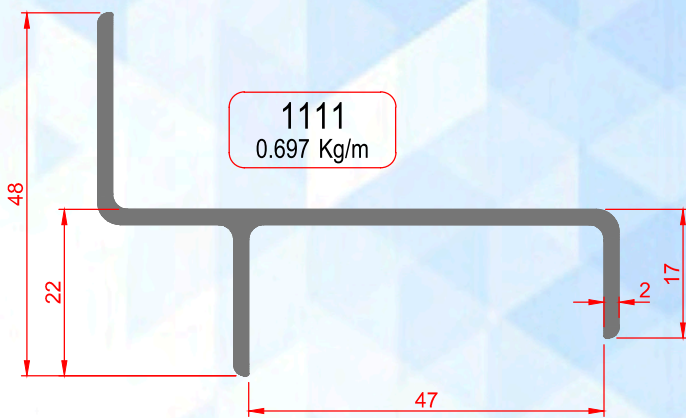
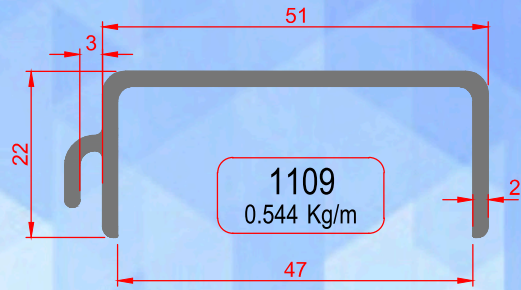
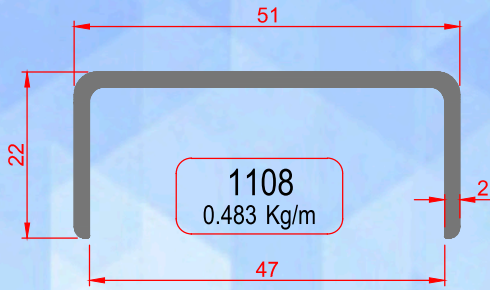
PROFİL NO	A	B	C	S1	S2	S3	GRAMAJ
4612	40	130	25	1.2	1.2	1.2	0.647 Kg/m
4613	40	150	25	1.3	1.3	1.3	0.768 Kg/m
4614	40	165	25	1.3	1.3	1.3	0.821 Kg/m
4615	40	180	25	1.3	1.3	1.3	0.874 Kg/m
4616	40	195	25	1.4	1.4	1.4	1.000 Kg/m
4617	40	210	25	1.4	1.4	1.4	1.058 Kg/m
4618	40	225	25	1.5	1.5	1.5	1.191 Kg/m
4619	40	240	25	1.7	1.7	1.7	1.412 Kg/m
4620	40	260	25	2.1	2.1	2.1	1.851 Kg/m
4621	40	280	25	2.1	2.1	2.1	1.965 Kg/m
4622	40	300	25	2.2	2.2	2.2	2.176 Kg/m
4623	40	320	25	2.2	2.2	2.2	2.295 Kg/m
4624	40	340	25	2.2	2.2	2.2	2.414 Kg/m

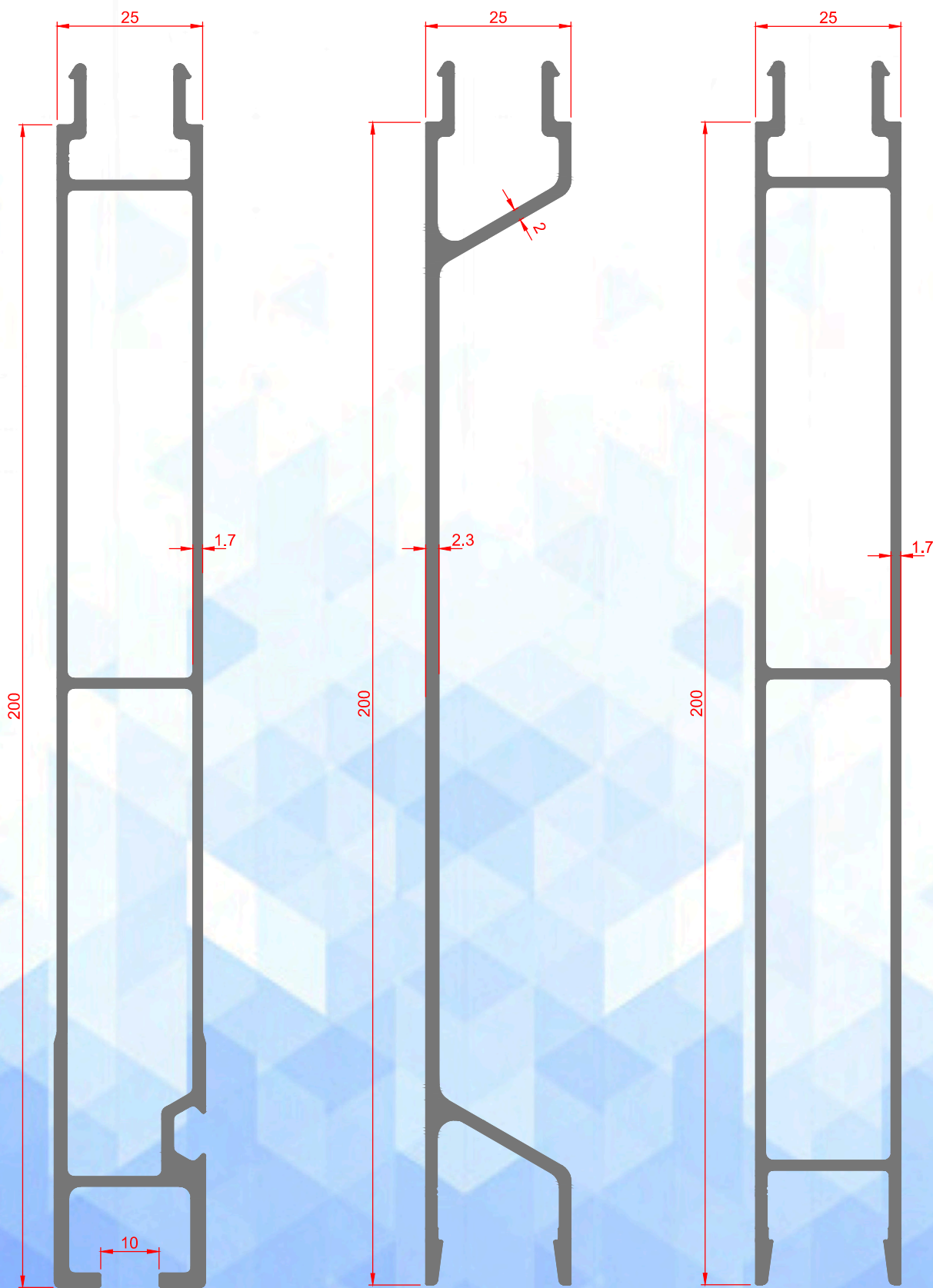








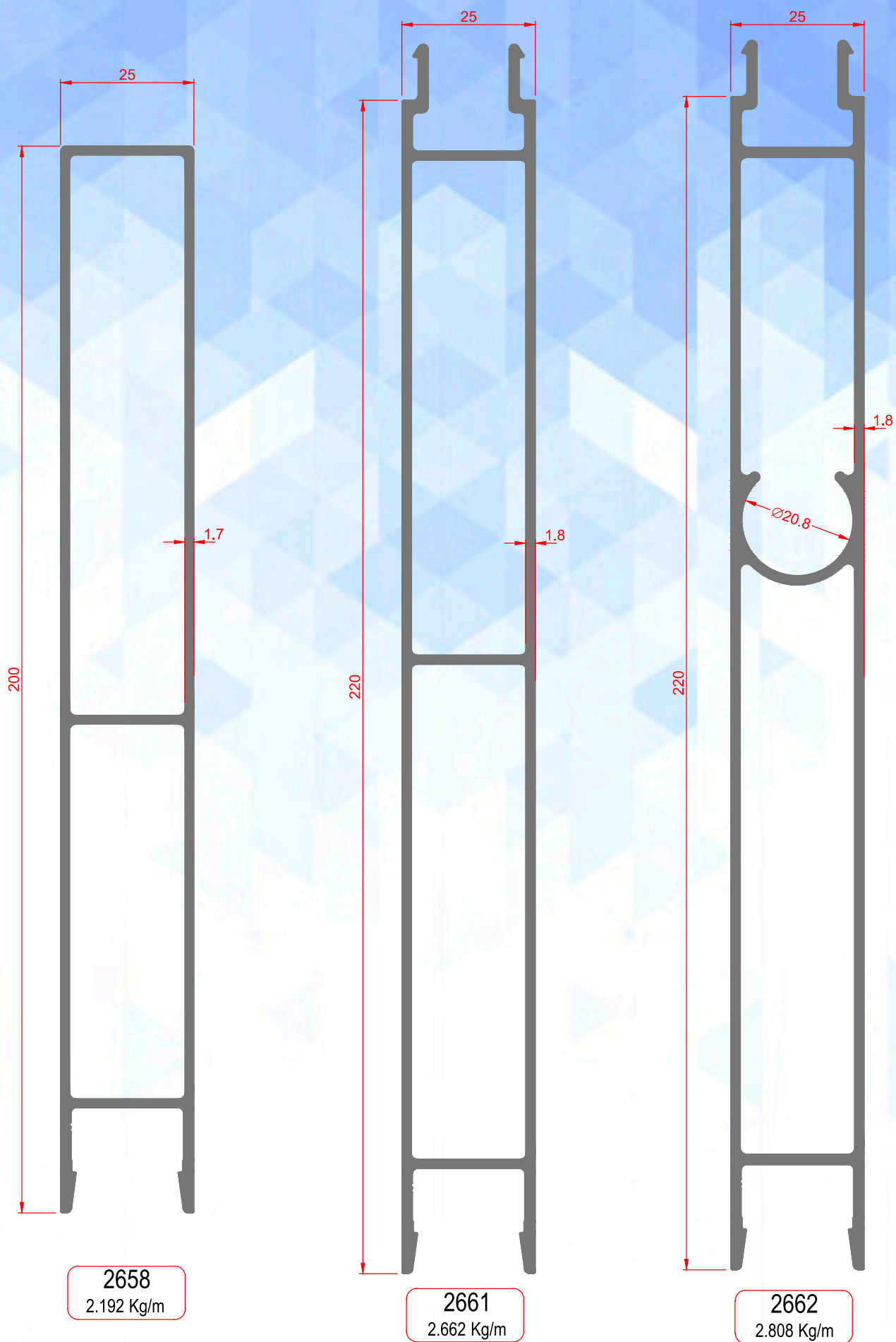


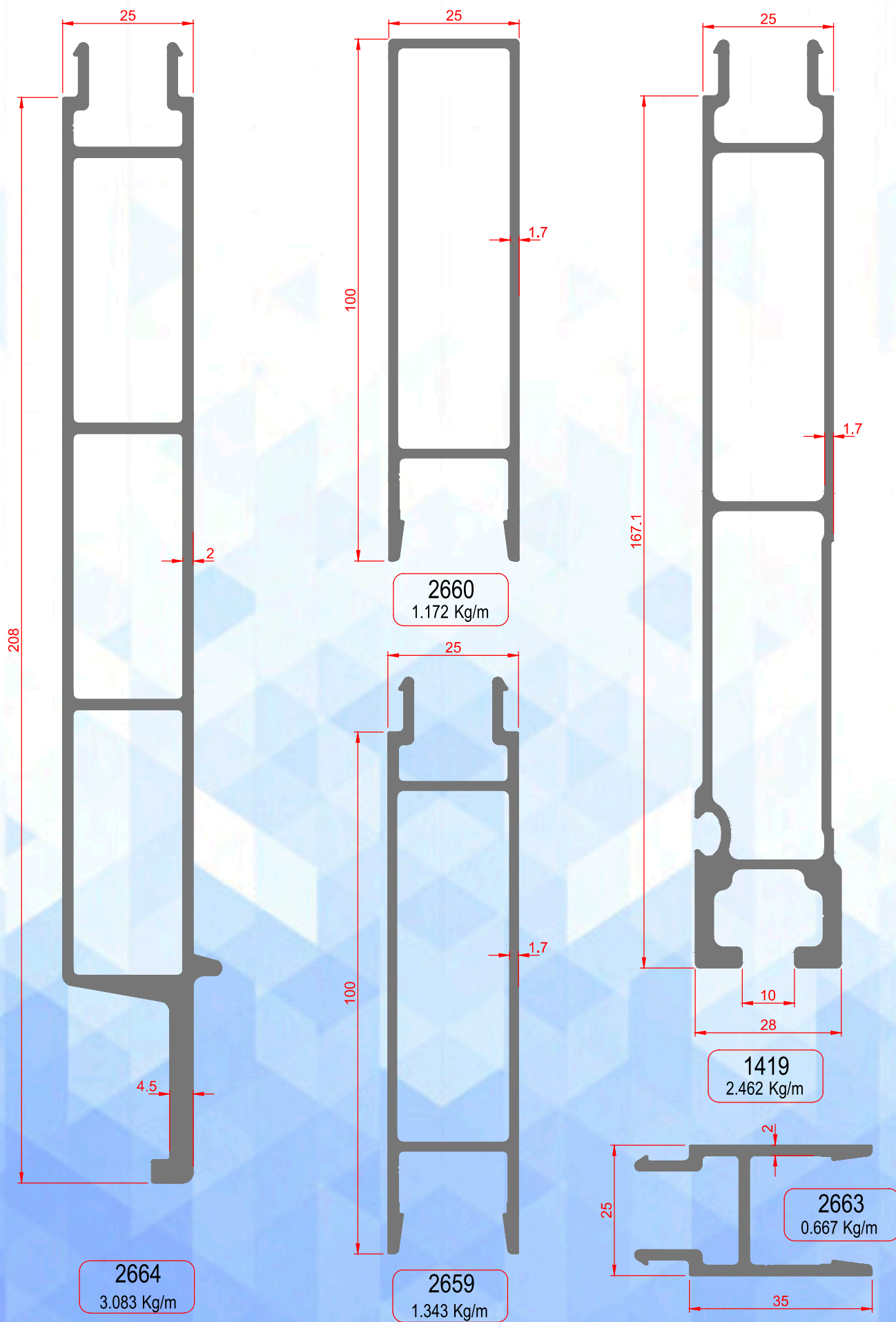


2655
2.600 Kg/m

2656
1.842 Kg/m

2657
2.364 Kg/m





Seral[®]

ALUMINIUM & STEEL

Seral Cephe Sistemleri Ltd. Őti.

Varyap Meridian Grand Tower A Blok Kat:2 D:27
AtaŐehir - İstanbul | Turkey

Tel: +90 535 870 6670

Fax: +90 216 526 3984

Mail: info@ser-al.com

www.ser-al.com