



serai[®]

ALUMINIUM PROFILES

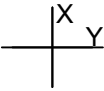
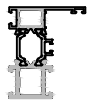
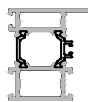
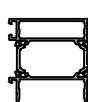
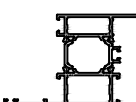
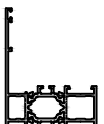
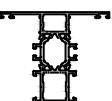
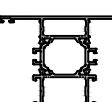
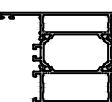
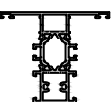
DOGRAMA SİSTEMLERİ - FWI 60

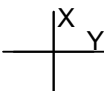
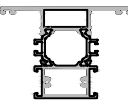

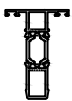
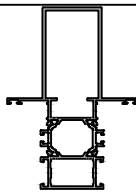
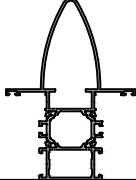
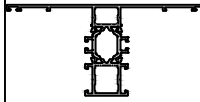
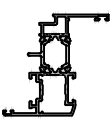
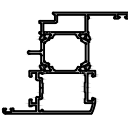
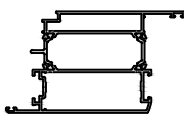
WINDOW SYSTEMS

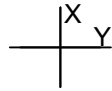
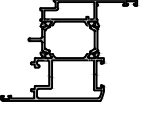
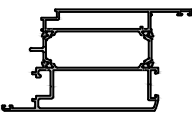
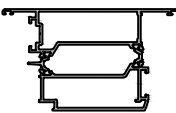
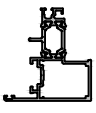
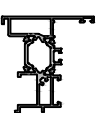
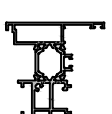
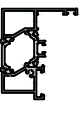
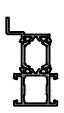

FWI 60

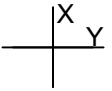

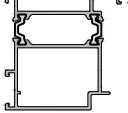
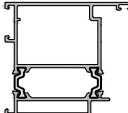
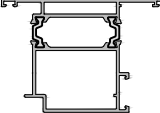
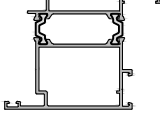
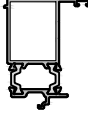



seral[®]

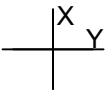

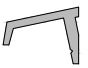
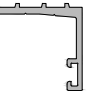

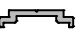
TECHNICAL FILE

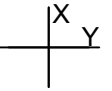
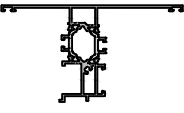

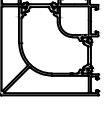
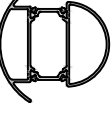





	SİSTEM KODU SYSTEM CODE	KG/M	Jx cm ⁴	Jy cm ⁴	Wx cm ³	Wy cm ³	ÜRÜNÜN ADI DESCRIPTION
	FWI 60 F01	1,237	18,72	4,67	6,94	1,38	KASA PROFİLİ FRAME PROFILE
	FWI 60 F 02	1,461	23,36	10,76	8,58	2,66	KASA PROFİLİ FRAME PROFILE
	FWI 60 F 03	1,720	29,95	21,50	10,93	4,49	KASA PROFİLİ FRAME PROFILE
	FWI 60 F 04	1,632	36,13	14,12	11,66	3,11	Z KASA PROFİLİ Z FRAME PROFILE
	FWI 60 F 05	1,407	28,05	10,46	11,71	1,82	GİZLİ KANAT KASA PROFİLİ HIDDEN VENT FRAME PROFILE
	FWI 60 M 01	1,348	20,50	8,23	8,26	2,27	ORTA KAYIT PROFİLİ TRANSOM PROFILE
	FWI 60 M 02	1,573	24,84	16,09	9,78	3,76	ORTA KAYIT PROFİLİ TRANSOM PROFILE
	FWI 60 M 03	1,832	30,45	29,81	11,77	5,93	ORTA KAYIT PROFİLİ TRANSOM PROFILE
	FWI 60 M 04	1,400	21,51	8,26	8,21	2,27	ORTA KAYIT PROFİLİ TRANSOM PROFILE

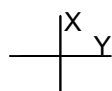


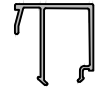

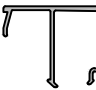




	SİSTEM KODU SYSTEM CODE	KG/M	Jx cm ⁴	Jy cm ⁴	Wx cm ³	Wy cm ³	ÜRÜNÜN ADI DESCRIPTION
	FWI 60 M 05	1,614	24,84	16,09	9,78	3,76	ORTA KAYIT PROFİLİ TRANSOM PROFILE
	FWI 60 M 06	2,177	91,80	41,37	34,62	6,10	ORTA KAYIT PROFİLİ TRANSOM PROFILE
	FWI 60 M 07	0,930	12,45	1,93	5,28	0,91	KANAT İÇİ KAYIT PROFİLİ TRANSOM PROFILE
	FWI 60 M 08	2,324	109,88	24,87	25,70	4,03	TAKVİYELİ ORTA KAYIT PROFİLİ TRANSOM PROFILE
	FWI 60 M 09	2,040	77,61	19,95	18,15	2,88	TAKVİYELİ ORTA KAYIT PROFİLİ TRANSOM PROFILE
	FWI 60 M 10	1,627	38,21	25,16	18,98	3,82	GİZLİ KANAT ORTA KAYIT PROFİLİ HIDDEN VENT TRANSOM PROFILE
	FWI 60 V 01	1,391	28,88	5,36	8,17	1,56	KANAT PROFİLİ VENT PROFILE
	FWI 60 V 02	1,602	36,10	11,74	10,46	2,77	KANAT PROFİLİ VENT PROFILE
	FWI 60 V 03	2,220	71,34	37,20	21,50	6,21	KANAT PROFİLİ VENT PROFILE

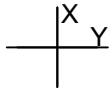




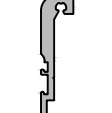
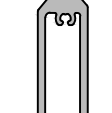
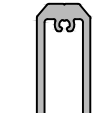
	SİSTEM KODU SYSTEM CODE	KG/M	Jx cm ⁴	Jy cm ⁴	Wx cm ³	Wy cm ³	ÜRÜNÜN ADI DESCRIPTION
	FWI 60 V 04	1,773	41,25	15,26	11,77	3,37	KANAT PROFİLİ VENT PROFILE
	FWI 60 V 05	2,387	84,14	41,25	24,90	6,53	KANAT PROFİLİ VENT PROFILE
	FWI 60 V 06	2,425	71,02	45,20	23,77	7,52	KANAT PROFİLİ VENT PROFILE
	FWI 60 V 07	1,226	15,26	7,56	6,31	1,95	GİZLİ KANAT PROFİLİ HIDDEN VENT PROFILE
	FWI 60 A 01	1,321	20,35	6,69	---	---	ÇİFT KANAT ORTA ADAPTÖR DOUBLE VENT MIDDLE ADAPTER
	FWI 60 A 02	1,440	22,37	8,44	---	---	ÇİFT KANAT ORTA ADAPTÖR DOUBLE VENT MIDDLE ADAPTER
	FWI 60 A 03	1,230	16,72	5,24	---	---	DIŞA AÇILIR KAPI ADAPTÖR PROFİLİ ADAPTER PROFILE FOR OUTE7WARD OPENING DOOR
	FWI 60 A 04	0,916	9,02	2,01	---	---	GİZLİ KANAT ADAPTÖR PROFİLİ ADAPTER PROFILE FOR HIDDEN VENT
	FWI 60 A 05	0,145	---	---	---	---	GİZLİ KANAT ADAPTÖR PROFİLİ ADAPTER PROFILE FOR HIDDEN VENT

	SİSTEM KODU SYSTEM CODE	KG/M	Jx cm ⁴	Jy cm ⁴	Wx cm ³	Wy cm ³	ÜRÜNÜN ADI DESCRIPTION
	FWI 60 F 06	2,630	122,08	43,79	44,07	5,95	ETEK PROFİLİ BOTTOM FR. PROFILE
	FWI 60 FD 01	1,570	25,61	17,25	9,96	4,43	KAPI KASA PROFİLİ DOOR FRAME PROFILE
	FWI 60 FD 02	1,565	26,48	17,19	8,71	4,42	KAPI KASA PROFİLİ DOOR FRAME PROFILE
	FWI 60 FV 01	1,678	26,91	24,56	11,17	5,15	KAPI KANAT PROFİLİ DOOR VENT PROFILE
	FWI 60 FV 02	1,672	34,13	18,87	12,36	3,96	KAPI KANAT PROFİLİ DOOR VENT PROFILE
	FWI 60 A 17	1,021	12,47	4,45	4,83	1,64	KAPI KASA ADAPTÖRÜ DOOR ADAPTER PROFILE
	FWI 60 A 11	0,383	---	---	---	---	KAPI EŞİK PROFİLİ DOOR THRESHOLD PROFILE
	FWI 60 A 12	0,890	---	---	---	---	KAPI EŞİK PROFİLİ DOOR THRESHOLD PROFILE
	FWI 60 A 18	0,261	---	---	---	---	KAPI KASA ADAPTÖRÜ DOOR ADAPTER PROFILE

	SİSTEM KODU SYSTEM CODE	KG/M	Jx cm ⁴	Jy cm ⁴	Wx cm ³	Wy cm ³	ÜRÜNÜN ADI DESCRIPTION
	FWI 60 A 13	0,230	---	---	---	---	KAPI ETEK DAMLALIK PROFİLİ DOOR DRIP PROFILE
	FWI 60 A 19	0,212	---	---	---	---	DAMLALIK PROFİLİ DRIP PROFILE
	FWI 60 A 14	0,228	---	---	---	---	KAPI ETEK ADAPTÖRÜ DOOR ADAPTER PROFILE
	FWI 60 A 15	0,145	---	---	---	---	KAPI ETEK ADAPTÖRÜ DOOR ADAPTER PROFILE
	FWI 60 A 16	0,104	---	---	---	---	TİJ ÇUBUĞU PROFILE

	SİSTEM KODU SYSTEM CODE	KG/M	Jx cm ⁴	Jy cm ⁴	Wx cm ³	Wy cm ³	ÜRÜNÜN ADI DESCRIPTION
	FWI 60 A 05	1,578	29,79	24,53	---	---	GİZLİ KANAT ÇİFT KANAT ORTA ADAPTÖR DOUBLE VENT HIDDEN VENT MIDDLE ADAPTER
	FWI 60 A 05	1,377	---	---	---	---	AÇILI KÖŞE DÖNÜŞ PROFİLİ ANGULAR CORNER PROFILE
	FWI 60 A 05	1,773	---	---	---	---	AÇILI KÖŞE DÖNÜŞ PROFİLİ ANGULAR CORNER PROFILE
	FWI 60 A 05	1,646	---	---	---	---	AÇILI KÖŞE DÖNÜŞ PROFİLİ ANGULAR CORNER PROFILE
	GB 01	0,185	---	---	---	---	CAM ÇİTASI GLAZING BEAD
	GB 02	0,221	---	---	---	---	CAM ÇİTASI GLAZING BEAD
	GB 03	0,235	---	---	---	---	CAM ÇİTASI GLAZING BEAD
	GB 04	0,249	---	---	---	---	CAM ÇİTASI GLAZING BEAD
	GB 05	0,257	---	---	---	---	CAM ÇİTASI GLAZING BEAD

	SİSTEM KODU SYSTEM CODE	KG/M	Jx cm ⁴	Jy cm ⁴	Wx cm ³	Wy cm ³	ÜRÜNÜN ADI DESCRIPTION
	GB 06	0,266	---	---	---	---	CAM ÇITASI GLAZING BEAD
	GB 07	0,276	---	---	---	---	CAM ÇITASI GLAZING BEAD
	GB 08	0,306	---	---	---	---	CAM ÇITASI GLAZING BEAD
	GB 09	0,319	---	---	---	---	CAM ÇITASI GLAZING BEAD
	GB 10	0,329	---	---	---	---	CAM ÇITASI GLAZING BEAD
	GB 11	0,339	---	---	---	---	CAM ÇITASI GLAZING BEAD
	GB 12	0,365	---	---	---	---	CAM ÇITASI GLAZING BEAD
	GB 13	0,378	---	---	---	---	CAM ÇITASI GLAZING BEAD
	GB 14	0,404	---	---	---	---	CAM ÇITASI GLAZING BEAD

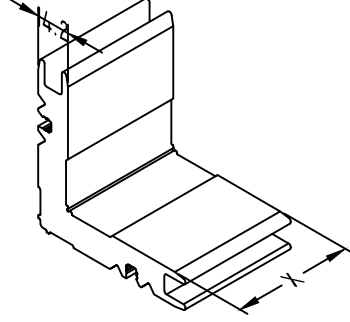
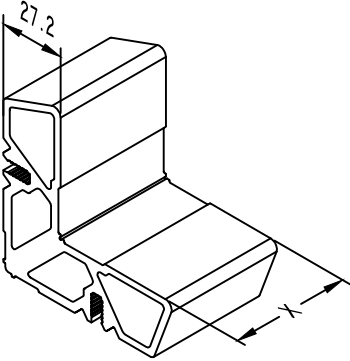
	SİSTEM KODU SYSTEM CODE	KG/M	Jx cm ⁴	Jy cm ⁴	Wx cm ³	Wy cm ³	ÜRÜNÜN ADI DESCRIPTION
	CC 142	3,885	---	---	---	---	KÖŞE TAKOZU PROFİLİ CORNER JOINT
	CC 272	3,997	---	---	---	---	KÖŞE TAKOZU PROFİLİ CORNER JOINT
	CC 422	5,046	---	---	---	---	KÖŞE TAKOZU PROFİLİ CORNER JOINT
	CC 622	6,305	---	---	---	---	KÖŞE TAKOZU PROFİLİ CORNER JOINT
	TC 107	0,541	---	---	---	---	T BAĞLANTI PROFİLİ T CONNECTION
	TC 165	0,985	---	---	---	---	T BAĞLANTI PROFİLİ T CONNECTION
	TC 177	0,992	---	---	---	---	T BAĞLANTI PROFİLİ T CONNECTION

FWI 60

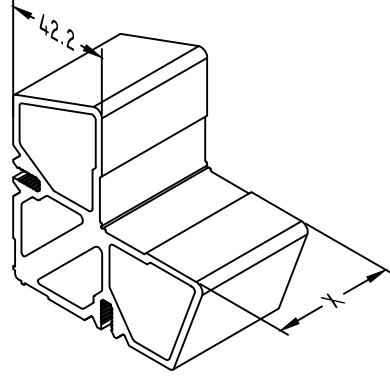
serai[®]

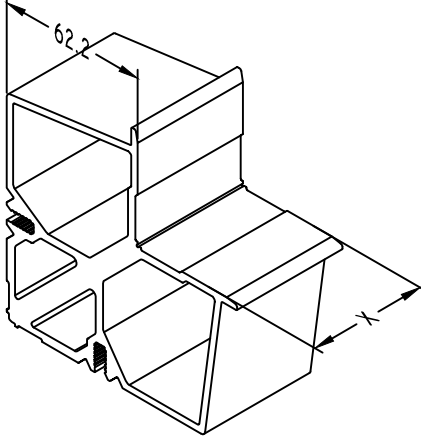
*AKSESUARLAR /
ACCESSORIES*

KÖŞE TAKOZLARI / CORNER CLEATS

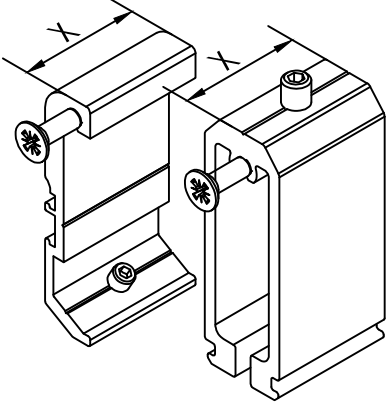
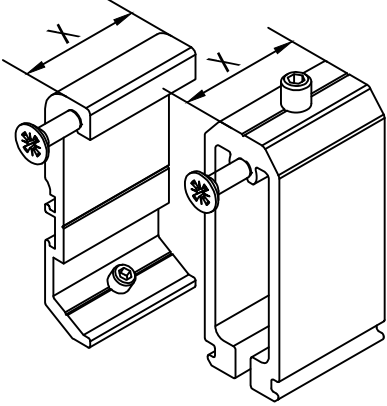
				
X KESİM ÖLÇÜSÜ CUTTING SIZE	5,4 142CC054	10,8 142CC108	17,8 142CC178	24,8 142CC248
KULLANILDIĞI PROFİLLER	FWI 60 V 01	FWI 60 F 01 FWI 60 M 05	FWI 60 F 01 FWI 60 M 05	FWI 60 V 01
				
X KESİM ÖLÇÜSÜ CUTTING SIZE	5,4 272CC055	10,8 272CC108	17,8 272CC178	24,7 272CC247
KULLANILDIĞI PROFİLLER	FWI 60 V 02 FWI 60 V 04	FWI 60 F 02 FWI 60 F 04 FWI 60 M 02	FWI 60 F 02 FWI 60 F 04 FWI 60 M 02	FWI 60 V 02 FWI 60 V 04

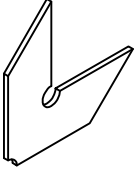
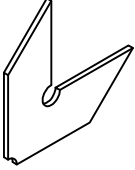
KÖŞE TAKOZLARI / CORNER CLEATS


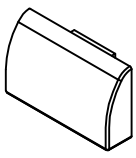
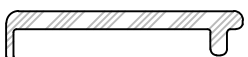
		
X KESİM ÖLÇÜSÜ CUTTING SIZE	10,8 422CC108	17,8 422CC178
KULLANILDIĞI PROFİLLER	FWI 60 F 03 60 M 03	FWI FWI 60 F 03 60 M 03






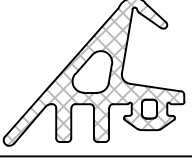
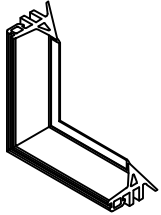
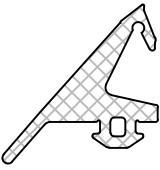
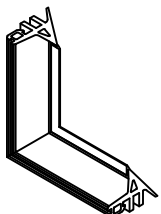
						
X KESİM ÖLÇÜSÜ CUTTING SIZE	5,4 622CC054	10,8 622CC108	14,1 622CC141	17,8 622CC178	19,6 622CC196	24,7 622CC247
KULLANIL DIĞI PROFİLLE R	FWI 60 V 03 FWI 60 V 05 FWI 60 V 06	FWI 60 M 06	FWI 60 V 06	FWI 60 M 06	FWI 60 V 06	FWI 60 V 03 FWI 60 V 05




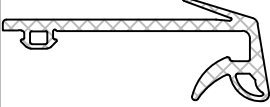
T BAĞLANTI / T CONNECTION

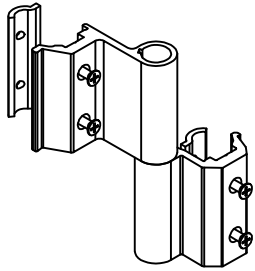
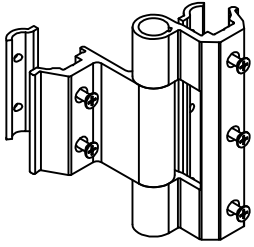
				
X KESİM ÖLÇÜSÜ CUTTING SIZE	14,2 107TC142 177TC142	27,2 107TC272 177TC272	42,2 107TC422 177TC422	62,2 107TC622 177TC622
KULLANILDIĞI PROFİLLER	FWI 60 F 01 FWI 60 M 01	FWI 60 F 02 FWI 60 M 02	FWI 60 F 03 FWI 60 M 03	FWI 60 M 06
				
X KESİM ÖLÇÜSÜ CUTTING SIZE	14,2	166TC103		107TC103
KULLANILDIĞI PROFİLLER		FWI 60 M 07		

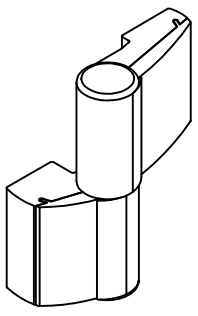
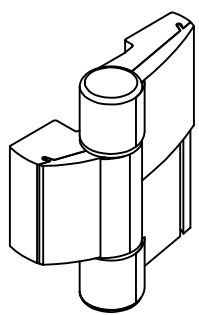
KÖŞE ONBAŞI / CORNER SUPPORT			
ÜRÜN ÇİZİMİ DRAWING	SİSTEM KODU SYSTEM CODE	ÜRÜNÜN ADI DESCRIPTION	MALZEME MATERIAL
	CS01	KÖŞE ONBAŞI CORNER SUPPORT	
	CS02	KÖŞE ONBAŞI CORNER SUPPORT	

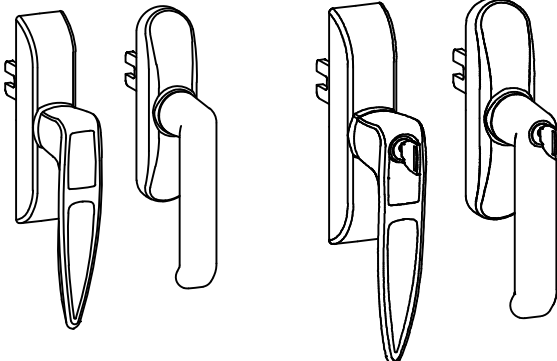
TAPALAR / PLUGS				
ÜRÜN ÇİZİMİ DRAWING	SİSTEM KODU SYSTEM CODE	ÜRÜNÜN ADI DESCRIPTION	MALZEME MATERIAL	mt/koli mt/box
	B.01.001	KAPI ALTI FIRÇASI WHEATHER STRIP BRUSH FOR DOOR		
	PL.01.0005	SU TAHLİYE TAPASI PLUG FOR WATER DRAINAGE		
 ÖLÇEKSİZ	PL.01.001	CAM ALTI DESTEK PARÇASI GLAZING SUPPORT KANAT İÇİN / FOR FRAME		
	PL.01.005	ÇİFT KANAT ADAPTÖR TAPASI ADAPTER PLUG FOR DOUBLE VENT (FWI 60 A 01)/FOR (FWI 60 A 01)		
	PL.01.006	ÇİFT KANAT ADAPTÖR TAPASI ADAPTER PLUG FOR DOUBLE VENT (FWI 60 A 02)/FOR (FWI 60 A 02)		
	PL.01.007	ÇİFT KANAT ADAPTÖR TAPASI ADAPTER PLUG FOR DOUBLE VENT (FWI 60 A 03)/FOR (FWI 60 A 03)		

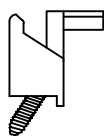

FİTİLLER / GASKETS				
ÜRÜN ÇİZİMİ DRAWING	SİSTEM KODU SYSTEM CODE	ÜRÜNÜN ADI DESCRIPTION	MALZEME MATERIAL	mt/koli mt/box
	RG.01.001	DIŞ CAM FİTİLİ OUTER GLAZING GASKET		
	RG.01.002	İÇ CAM FİTİLİ 3-4mm INNER GLAZING GASKET		
	RG.01.003	İÇ CAM FİTİLİ 5-6mm INNER GLAZING GASKET		
	RG.01.004	İÇ BİNİ FİTİLİ GASKET FOR INNER RABBET		
	RG.01.005	DIŞ BİNİ FİTİLİ GASKET FOR OUTER RABBET		
	RG.01.006	ORTA BİNİ FİTİLİ CENTRAL GASKET		
	RG.01.007	RG.01.006 İÇİN VULKANİZE FİTİL CORNER GASKET FOR CENTRAL GASKET RG.01.006		
	RG.01.008	ORTA BİNİ FİTİLİ CENTRAL GASKET		
	RG.01.009	RG.01.008 İÇİN VULKANİZE FİTİL CORNER GASKET FOR CENTRAL GASKET RG.01.008		

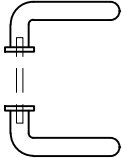
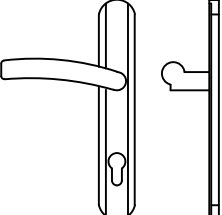
FİTİLLER / GASKETS				
ÜRÜN ÇİZİMİ DRAWING	SİSTEM KODU SYSTEM CODE	ÜRÜNÜN ADI DESCRIPTION	MALZEME MATERIAL	mt/koli mt/box
	RG.01.101	KAPI ETEK İÇ BİNİ FİTİLİ DOOR BOTTOM INNER GASKET		
	RG.01.102	KAPI ETEK DIŞ BİNİ FİTİLİ DOOR BOTTOM OUTER GASKET		
	RG.01.103	KAPI ETEK DIŞ BİNİ FİTİLİ DOOR BOTTOM OUTER GASKET		
	RG.01.010	GİZLİ KANAT FİTİLİ HIDDEN VENT GASKET		

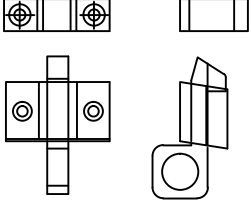

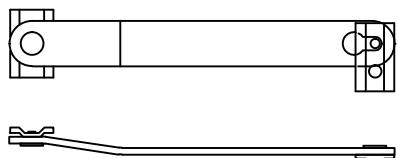
MENTEŞELER / HINGES		
ÜRÜN ÇİZİMİ DRAWING	SİSTEM KODU SYSTEM CODE	ÜRÜNÜN ADI DESCRIPTION
	HW.01.01	PENCERE MENTEŞESİ HINGE FOR WINDOWS
	HW.01.02	3LÜ PENCERE MENTEŞESİ 3 ARM HINGE FOR WINDOWS

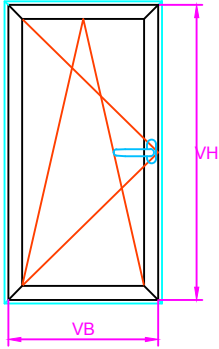
MENTEŞELER / HINGES		
ÜRÜN ÇİZİMİ DRAWING	SİSTEM KODU SYSTEM CODE	ÜRÜNÜN ADI DESCRIPTION
	HD.01.01	BİNİLİ KAPI MENTEŞESİ INWARD OPENING HINGE FOR DOORS
	HD.01.02	HEMYÜZ KAPI MENTEŞESİ OUTWARD OPENING HINGE FOR DOORS
	HD.01.03	BİNİLİ 3LÜ KAPI MENTEŞESİ INWARD OPENING 3 ARM HINGE FOR DOORS
	HD.01.04	HEMYÜZ 3LÜ KAPI MENTEŞESİ OUTWARD OPENING 3 ARM HINGE FOR DOORS

İSPANYOLET KOL / HANDLE FOR WINDOWS		
ÜRÜN ÇİZİMİ DRAWING	SİSTEM KODU SYSTEM CODE	ÜRÜNÜN ADI DESCRIPTIONL
	WH.01.01	İSPANYOLET KOL HANDLE FOR WINDOWS
	WH.01.02	KİLİTLİ İSPANYOLET KOL HANDLE FOR WINDOWS
	WH.01.03	İSPANYOLET KOL (İTHAL) HANDLE FOR WINDOWS
	WH.01.04	KİLİTLİ İSPANYOLET KOL (İTHAL) HANDLE FOR WINDOWS

AÇILIM AKSESUARLARI / OPENING ACCESSORIES		
ÜRÜN ÇİZİMİ DRAWING	SİSTEM KODU SYSTEM CODE	ÜRÜNÜN ADI DESCRIPTIONL
	WH.01.11	İSPANYOLET KOL HANDLE FOR WINDOWS
	WH.01.12	KİLİTLİ İSPANYOLET KOL HANDLE FOR WINDOWS

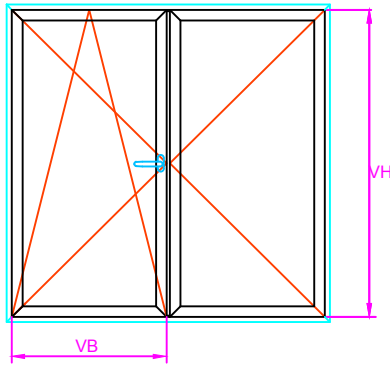
BASMA KAPI KOLLARI / HANDLE FOR DOORS		
ÜRÜN ÇİZİMİ DRAWING	SİSTEM KODU SYSTEM CODE	ÜRÜNÜN ADI DESCRIPTIONL
	WD.01.01	BASMA KAPI KOLU HANDLE FOR DOORS
	WD.01.02	ROZETLİ KAPI KOLU HANDLE FOR DOORS

VASİSTAS AKSESUARLARI / ACCESSORIES FOR WINDOWS		
ÜRÜN ÇİZİMİ DRAWING	SİSTEM KODU SYSTEM CODE	ÜRÜNÜN ADI DESCRIPTIONL
	WH.01.13	VASİSTAS ÇARPMA
	WH.01.14	ÇELİK VASİSTAS MAKASI STEEL FRICTION STAY
	WH.01.15	ALÜMİNYUM VASİSTAS MAKASI ALU. FRICTION STAY



ÇİFT AÇILIM SİSTEMİ - TILT & TURN WINDOW

		VB		
		355-600	601-1249	1250-1600
VH	500-1249	MW.01.H	MW.03.H	MW.05.H
	1250-2000	MW.02.H	MW.04.H	MW.06.H

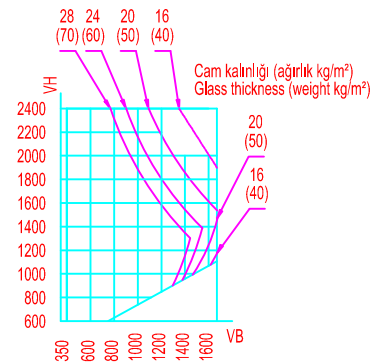


ÇİFT AÇILIM ÇİFT KANAT SİSTEMİ - TILT & TURN DOUBLE HUNG WINDOW

		VB		
		355-600	601-1249	1250-1600
VH	500-1249	MW.21.H	MW.23.H	MW.25.H
	1250-2000	MW.22.H	MW.24.H	MW.26.H

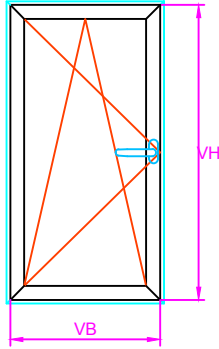
- Setlere ; 1251-1600 genişlik ölçülerinde alt kilitleme, 1251-2400 yüksekliklerinde arka kilitleme dahildir
- Setlere kol dahil değildir.
- Siparişlerde set renkleri belirtilmelidir.

	Pencereler-Windows		Kapılar-Doors MAX
	MIN	MAX	
VB	355	1600	1300
VH	500	2000	2400
VG	Max. 130kg		Max. 130kg



VB=KANAT GENİŞLİĞİ
VB=WIDTH OF THE VENT
VH=KANAT YÜKSEKLİĞİ
VH=HEIGHT OF THE VENT

VG=KANAT AĞIRLIĞI
VG=WEIGHT OF THE VENT

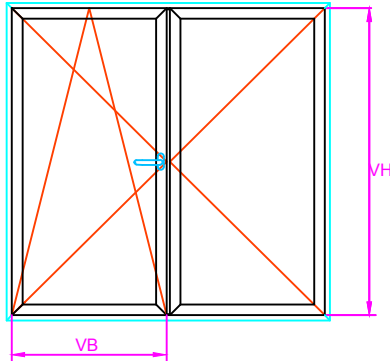


- Setlere, arka kilitlemeler ve kol dahil değildir.
- Siparişlerde renk belirtilmelidir.
- Çift kanatta pasif taraf menteşe grupları ve ispanyolet karşılıkları dahildir.
- Çift kanatta pasif kanat orta gizli baskı menteşe VH 1460mm den itibaren dahildir.

PVC KANALLI ÇİFT AÇILIM SİSTEMİ - PVC GROOVE TILT & TURN WINDOW

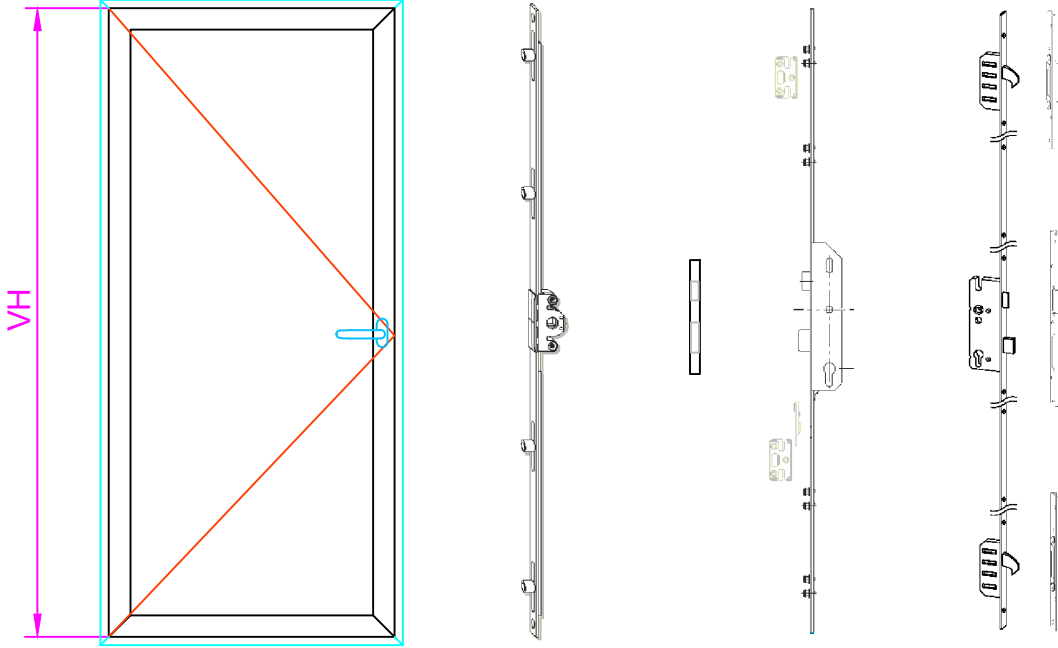
		VB		
		355-600	601-1249	1250-1600
VH	480-600	MW.101.H	MW.107.H	MW.113.H
	601-1100	MW.102.H	MW.108.H	MW.114.H
	680-1180	MW.103.H	MW.109.H	MW.115.H
	1000-1460	MW.104.H	MW.110.H	MW.116.H
	1461-1920	MW.105.H	MW.111.H	MW.117.H
	1880-2360	MW.106.H	MW.112.H	MW.118.H

PVC KANALLI ÇİFT AÇILIM ÇİFT KANAT SİSTEMİ - PVC GROOVE TILT & TURN DOUBLE HUNG WINDOW



		VB		
		355-600	601-1249	1250-1600
VH	480-600	MW.201.H	MW.207.H	MW.213.H
	601-1100	MW.202.H	MW.208.H	MW.214.H
	680-1180	MW.203.H	MW.209.H	MW.215.H
	1000-1460	MW.204.H	MW.210.H	MW.216.H
	1461-1920	MW.205.H	MW.211.H	MW.217.H
	1880-2360	MW.206.H	MW.212.H	MW.218.H

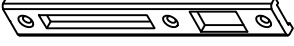
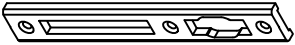
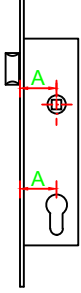
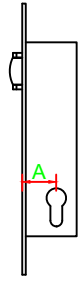
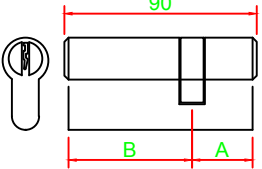
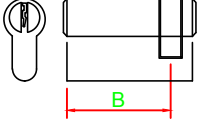
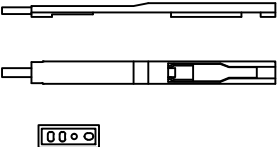
Ürün kodu	Ürün açıklaması	Kullanım aralığı
MWE.01	Arka kilitleme 50	1000-1460
MWE.02	Arka kilitleme 90	1461-1920
MWE.03	Arka kilitleme 130	1800-2360



PVC KANALLI VE ALÜMİNYUM TİJLİ BALKON
KAPILARI İÇİN AKSESUAR TAKIMLARI

Ürün kodu	Ürün açıklaması
MDE.01	Alu. kanal için kilitleme takımı
MDE.02	PVC kanal için ispanyolet kilitleme takımı
MDE.03	Alu. kanal için çift kanat kilitleme takımı
MDE.04	PVC kanal için çift kanat kilitleme takımı
MDE.05	Alu. kanal için kilitli ispanyoletli kilitleme takımı
MDE.06	PVC kanal için kilitli ispanyoletli kilitleme takımı
MDE.07	Alu. kanal için çift kanat kilitli ispanyoletli kilitleme takımı
MDE.08	PVC kanal için çift kanat kilitli ispanyoletli kilitleme takımı
MDE.09	Alu. kanal için çok noktadan kilitleme takımı (koldan kumandalı)
MDE.10	PVC kanal için çok noktadan kilitleme takımı (koldan kumandalı)
MDE.11	Alu. kanal için çok noktadan kilitleme takımı (barel kumandalı)
MDE.12	PVC kanal için çok noktadan kilitleme takımı (barel kumandalı)

KAPI KİLİTLEME AKSESUARLARI / DOOR LOCKING SYSTEMS

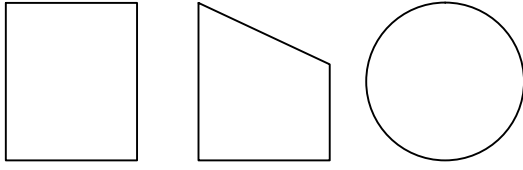
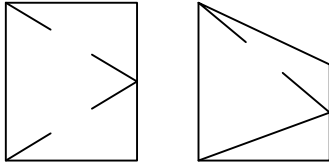
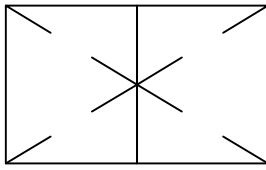
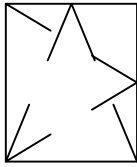
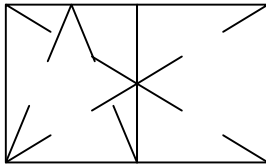
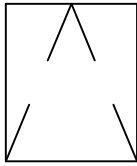
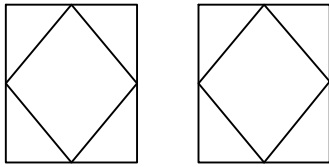
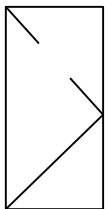
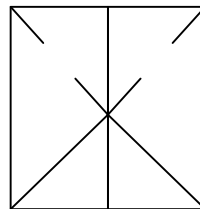
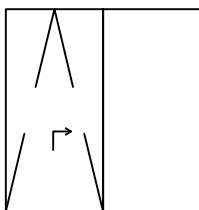
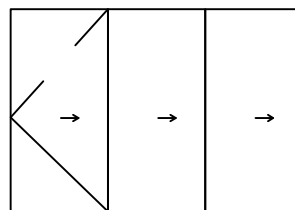
ÜRÜN ÇİZİMİ DRAWING	SİSTEM KODU SYSTEM CODE	ÜRÜNÜN ADI DESCRIPTION
	MDL.01	DİLLİ KİLİT KARŞILIĞI (Renk ayrıca belirtilmelidir.)
	MDL.02	MAKARALI KİLİT KARŞILIĞI (Renk ayrıca belirtilmelidir.)
 <p>A:30mm A:35mm</p>	MDL.03	DİLLİ KİLİT
 <p>A:30mm A:35mm</p>	MDL.04	MAKARALI KİLİT
 <p>90 B A</p>	MDL.05	90 LİK BAREL
 <p>B</p>	MDL.06	YARIM BAREL
 <p>0000</p>	MDL.07	ÇİFT KANAT SÜRGÜ

FWI 60

seral[®]

PROFILLER / PROFILES

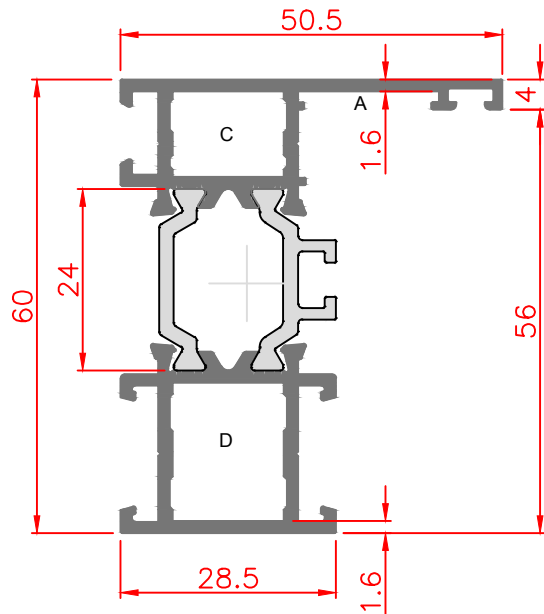
AÇILIM TİPLERİ/OPENING TYPE

SABİT KASA
FIXED FRAMETEK AÇILIM PENCERE
TURNING WINDOWÇİFT KANAT AÇILIM PENCERE
DOUBLE VENT TURNING WINDOWÇİFT AÇILIM PENCERE
TURN&TILT WINDOWÇİFT KANAT ÇİFT VE TEK AÇILIM PENCERE
TURN&TILT-TURN WINDOWVASİSTAS AÇILIM PENCERE
TILT OPENING WINDOWPİVOT AÇILIM PENCERE
PIVOT OPENING WINDOWİÇE VE DIŞA AÇILIM KAPI
INSIDE AND OUTSIDE OPENING DOORÇİFT KANAT İÇE VE DIŞA AÇILIM KAPI
DOUBLE VENT INSIDE AND OUTSIDE OPENING DOORÇEK-SÜR KAPI
TILT SLIDE DOORKATLANIR KAPI
FOLDING DOOR

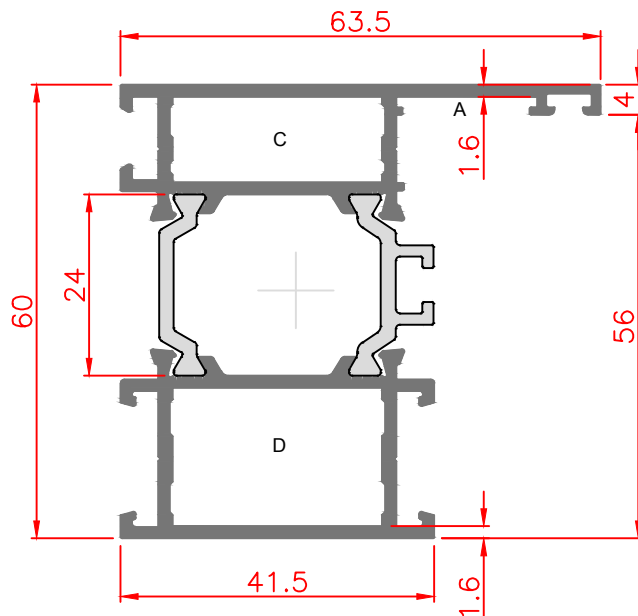
SEMBOL LİSTESİ / *LIST OF SEMBOLS*

A	KÖŞE ONBAŞI / CORNER SUPPORT
B	KÖŞE ONBAŞI / <i>CORNER SUPPORT</i>
C	DIŞ PROFİL İÇİN KÖŞE TAKOZU / <i>CORNER CLEAT FOR OUTSIDE PROFILE</i>
D	İÇ PROFİL İÇİN KÖŞE TAKOZU / <i>CORNER CLEAT FOR INSIDE PROFILE</i>
E	DIŞ PROFİL İÇİN T BAĞLANTI / <i>T CONNECTION FOR OUTSIDE PROFILE</i>
F	İÇ PROFİL İÇİN T BAĞLANTI / <i>T CONNECTION FOR INSIDE PROFILE</i>

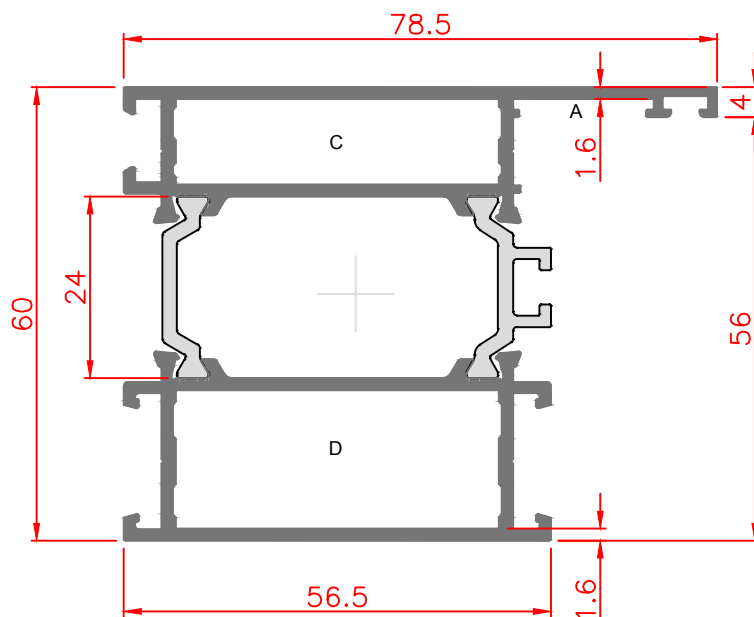
FWI 60



Profile No	
3150/3151	
SYSTEM CODE	FWI 60 F 01
WEIGHT kg/m	1,237 kg/m
MOMENT OF INTERIA	Jx=18,72 cm ⁴ Jy=4,67 cm ⁴
MOMENT OF RES.	Wx=6,94 cm ³ Wy=1,38 cm ³
ACCESSORIES	
A:CS01	
C:142CC108	D:142CC178
E:107TC142	F:177TC142



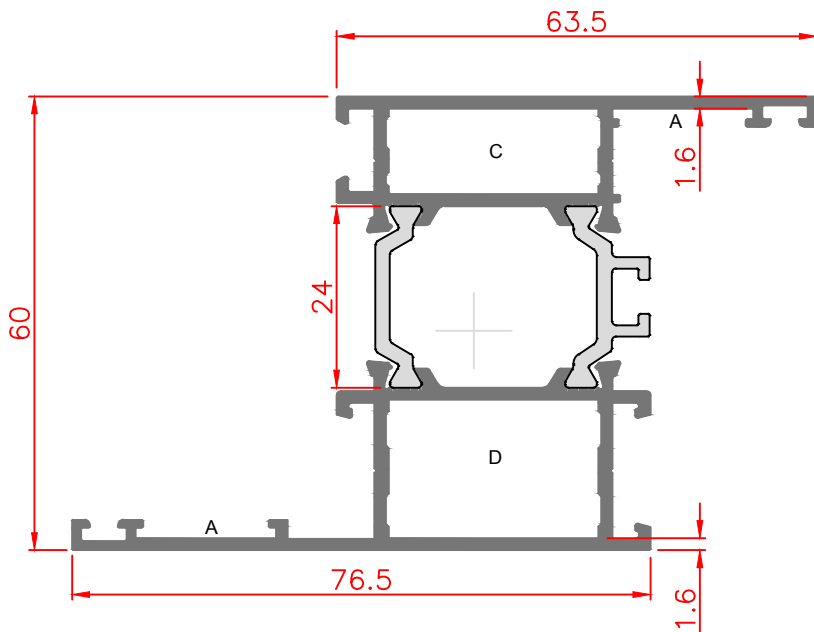
Profile No	
3158/3159	
SYSTEM CODE	FWI 60 F 02
WEIGHT kg/m	1,461 kg/m
MOMENT OF INTERIA	Jx=23,36 cm ⁴ Jy=10,76 cm ⁴
MOMENT OF RES.	Wx=8,58 cm ³ Wy=2,66 cm ³
ACCESSORIES	
A:CS01	
C:272CC108	D:272CC178
E:107TC272	F:177TC272



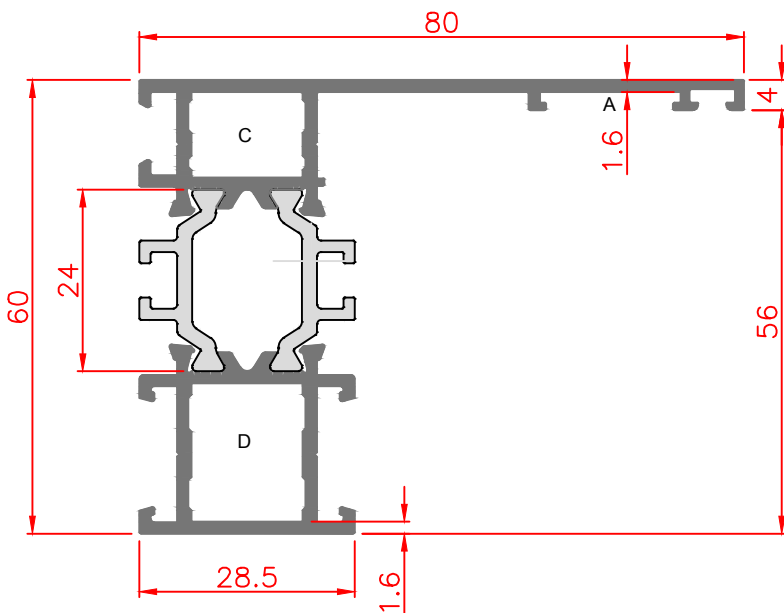
Profile No	
3152/3153	
SYSTEM CODE	FWI 60 F 03
WEIGHT kg/m	1,720 kg/m
MOMENT OF INTERIA	Jx=29,95 cm ⁴ Jy=21,50 cm ⁴
MOMENT OF RES.	Wx=10,93 cm ³ Wy=4,49 cm ³
ACCESSORIES	
A:W_CS01	
C:422CC108	D:422CC178
E:107TC422	F:177TC422

FWI 60

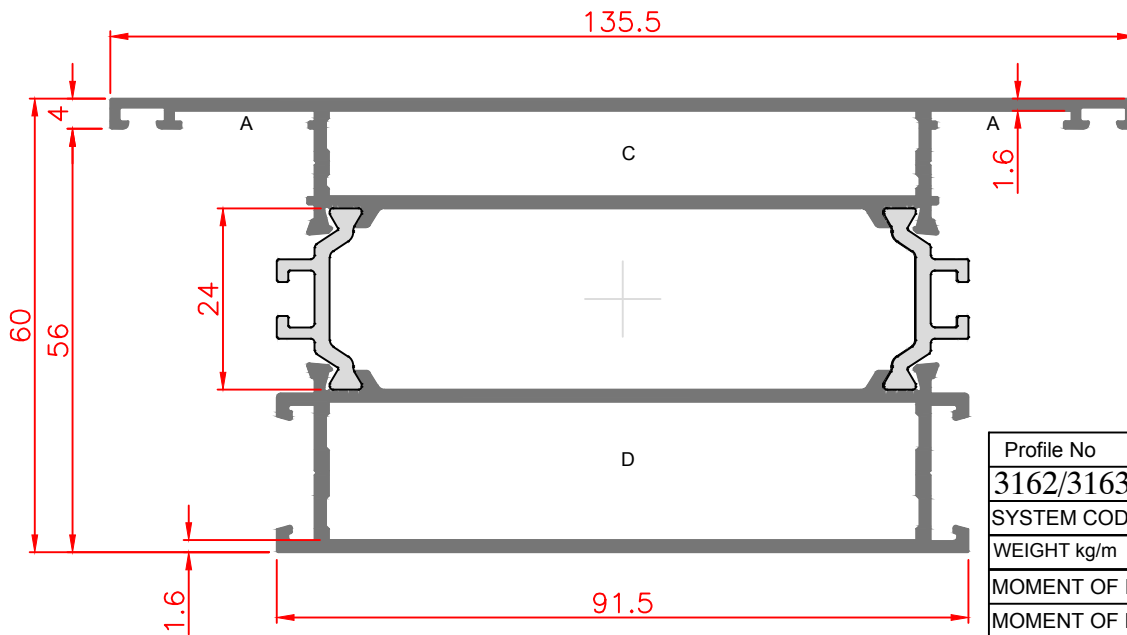
seral[®]



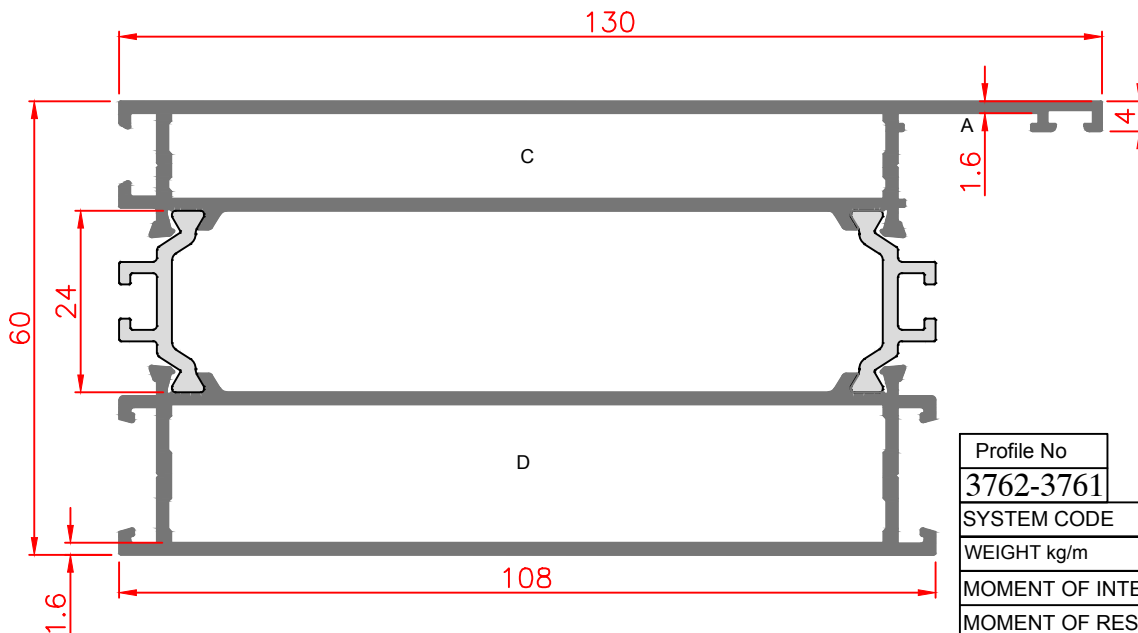
Profile No	
3158/3160	
SYSTEM CODE	FWI 60 F 04
WEIGHT kg/m	1,632 kg/m
MOMENT OF INTERIA	Jx=36,13 cm ⁴ Jy=14,12 cm ⁴
MOMENT OF RES.	Wx=11,66 cm ³ Wy=3,11 cm ³
ACCESSORIES	
A:CS01	
C:272CC108	D:272CC178



Profile No	
3207/3151	
SYSTEM CODE	FWI 60 F 05
WEIGHT kg/m	1,407 kg/m
MOMENT OF INTERIA	Jx=28,05 cm ⁴ Jy=10,46 cm ⁴
MOMENT OF RES.	Wx=11,71 cm ³ Wy=1,82 cm ³
ACCESSORIES	
A:CS01	
C:142CC108	D:142CC178
E:107TC142	F:177TC142



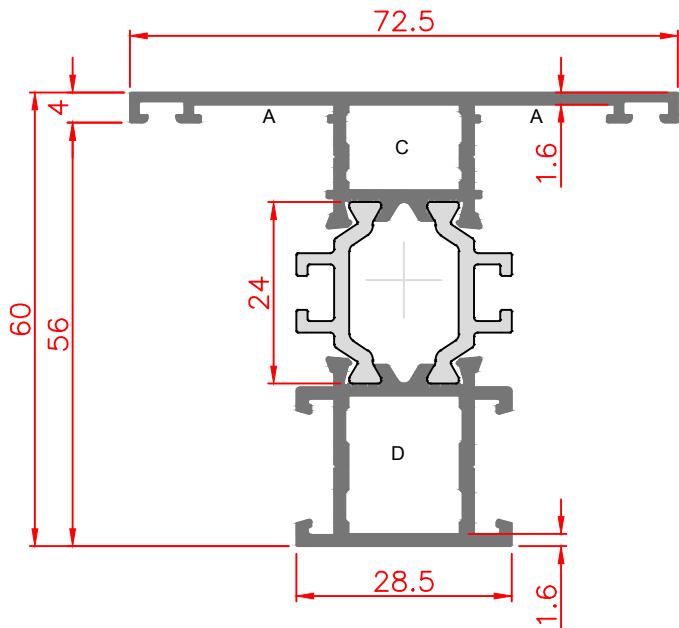
Profile No	
3162/3163	
SYSTEM CODE	FWI 60 M 06
WEIGHT kg/m	2,177 kg/m
MOMENT OF INTERIA	Jx=91,80 cm ⁴ Jy=41,37 cm ⁴
MOMENT OF RES.	Wx=34,62 cm ³ Wy=6,10 cm ³
ACCESSORIES	
A:CS01	
C:622CC108	D:622CC178
E:107TC622	F:177TC622



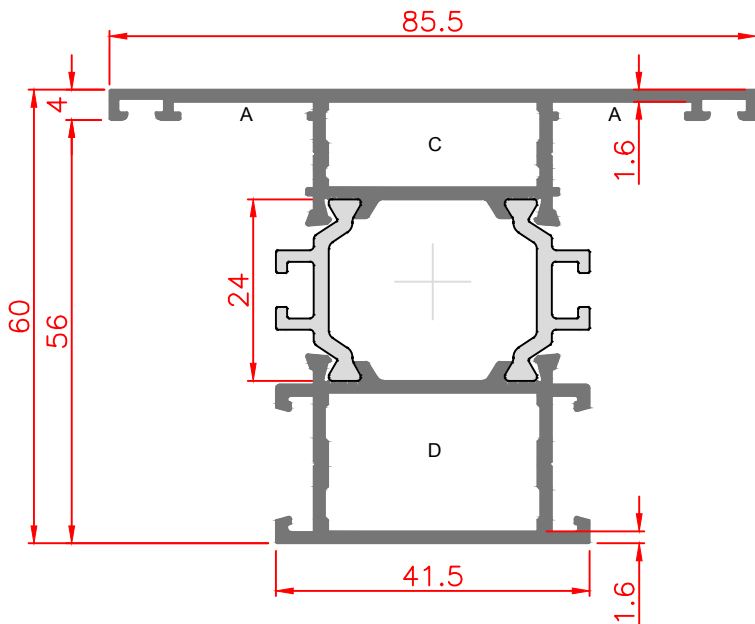
Profile No	
3762-3761	
SYSTEM CODE	FWI 60 F 06
WEIGHT kg/m	2,630 kg/m
MOMENT OF INTERIA	Jx=122,08 cm ⁴ Jy=43,79 cm ⁴
MOMENT OF RES.	Wx=44,07 cm ³ Wy=5,95 cm ³
ACCESSORIES	
A:CS01	
C:.....	D:.....
E:.....	F:.....

FWI 60

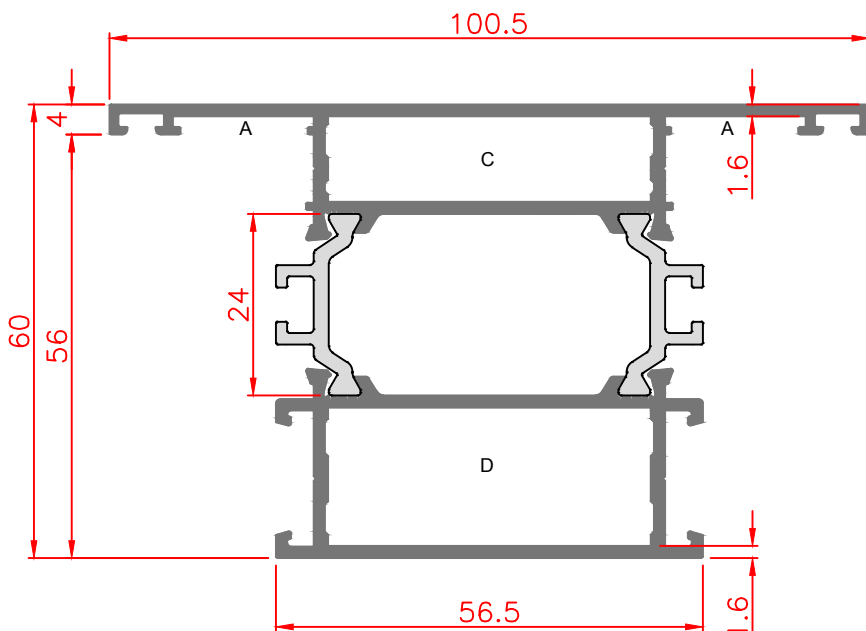
seral[®]



Profile No	
3154/3151	
SYSTEM CODE	FWI 60 M 01
WEIGHT kg/m	1.348 kg/m
MOMENT OF INTERIA	$J_x=20,50 \text{ cm}^4 \quad J_y=8,23 \text{ cm}^4$
MOMENT OF RES.	$W_x=8,26 \text{ cm}^3 \quad W_y=2,27 \text{ cm}^3$
ACCESSORIES	
A:CS01	
C:142CC108	D:142CC178
E:107TC142	F:177TC142



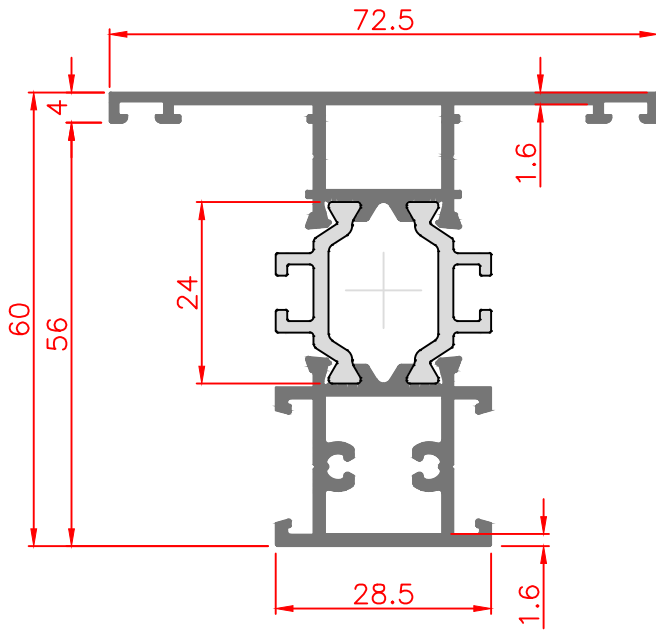
Profile No	
3156/3159	
SYSTEM CODE	FWI 60 M 02
WEIGHT kg/m	1,573 kg/m
MOMENT OF INTERIA	$J_x=24,84 \text{ cm}^4 \quad J_y=16,09 \text{ cm}^4$
MOMENT OF RES.	$W_x=9,78 \text{ cm}^3 \quad W_y=3,76 \text{ cm}^3$
ACCESSORIES	
A:CS01	
C:272CC108	D:272CC178
E:107TC272	F:177TC272



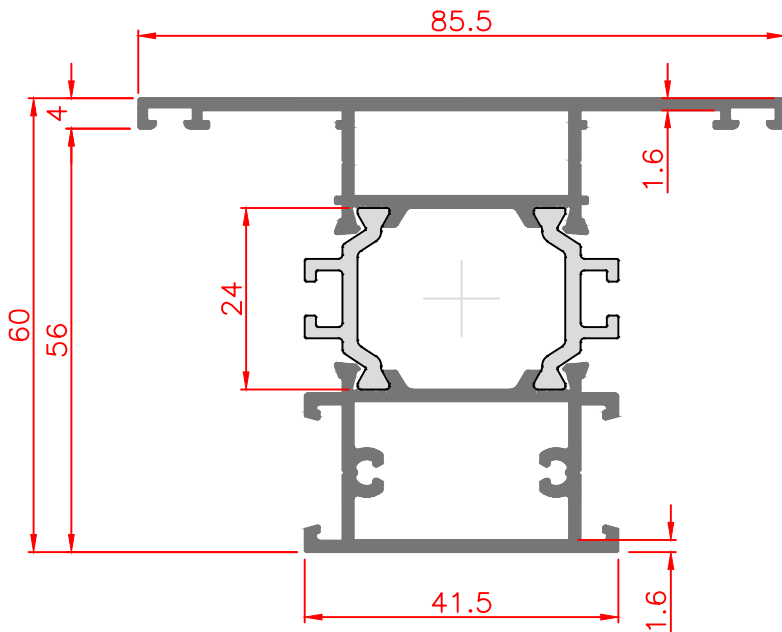
Profile No	
3155/3153	
SYSTEM CODE	FWI 60 M 03
WEIGHT kg/m	1,832 kg/m
MOMENT OF INTERIA	$J_x=30,45 \text{ cm}^4 \quad J_y=29,81 \text{ cm}^4$
MOMENT OF RES.	$W_x=11,77 \text{ cm}^3 \quad W_y=5,93 \text{ cm}^3$
ACCESSORIES	
A:W_CS01	
C:422CC108	D:422CC178
E:107TC422	F:177TC422

FWI 60

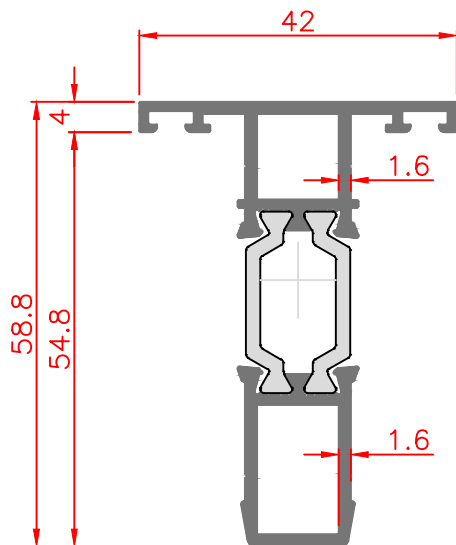
seral[®]



Profile No	
3154/3161	
SYSTEM CODE	FWI 60 M 04
WEIGHT kg/m	1.400 kg/m
MOMENT OF INTERIA	Jx=21,51 cm ⁴ Jy=8,26 cm ⁴
MOMENT OF RES.	Wx=8,21 cm ³ Wy=2,27 cm ³



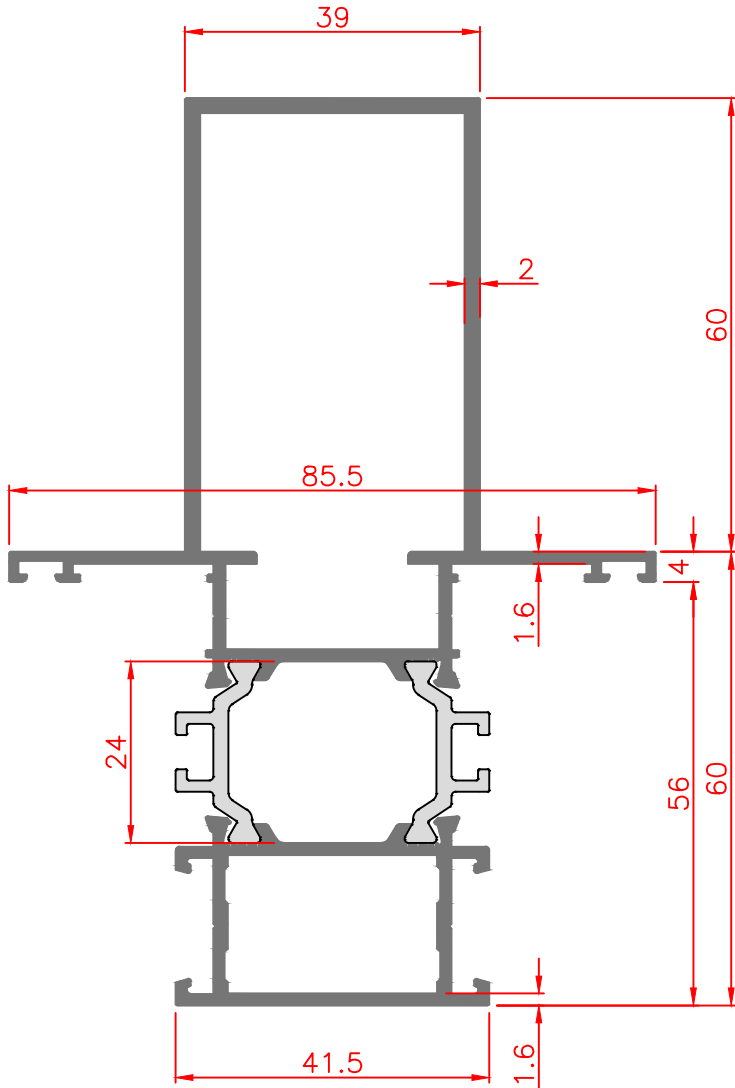
Profile No	
3156/3157	
SYSTEM CODE	FWI 60 M 05
WEIGHT kg/m	1,614 kg/m
MOMENT OF INTERIA	Jx=25,79 cm ⁴ Jy=16,28 cm ⁴
MOMENT OF RES.	Wx=9,73 cm ³ Wy=3,80 cm ³



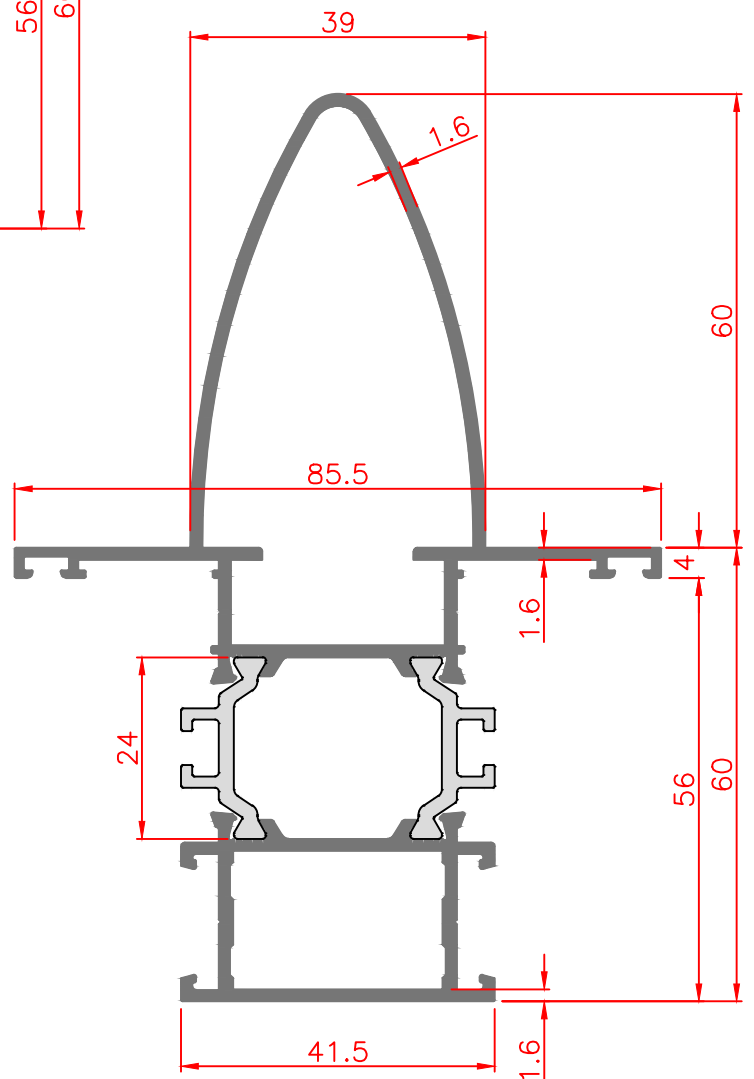
Profile No	
3211/3212	
SYSTEM CODE	FWI 60 M 07
WEIGHT kg/m	0,930 kg/m
MOMENT OF INTERIA	Jx=12,45 cm ⁴ Jy=1,93 cm ⁴
MOMENT OF RES.	Wx=5,28 cm ³ Wy=0,91 cm ³
E:107TC103	F:166TC103

FWI 60

seral[®]



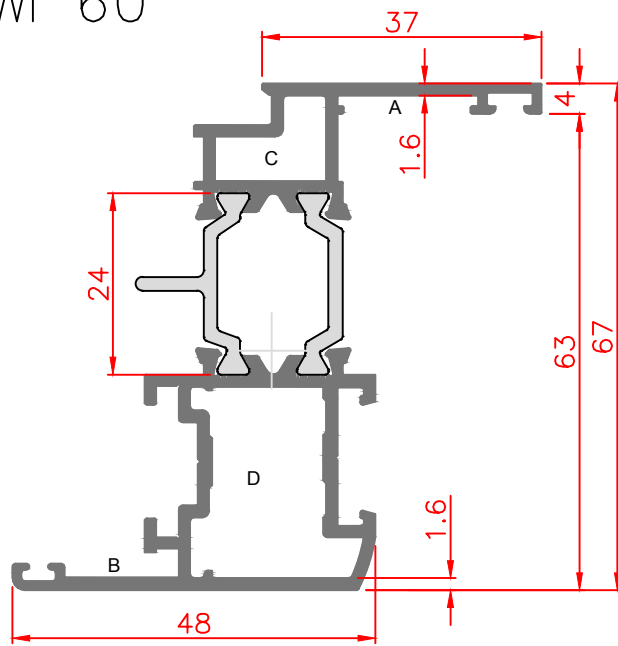
Profile No	
3220/3159	
SYSTEM CODE	FWI 60 M 08
WEIGHT kg/m	2,324 kg/m
MOMENT OF INTERIA	$J_x=109,88 \text{ cm}^4$ $J_y=24,87 \text{ cm}^4$
MOMENT OF RES.	$W_x=25,70 \text{ cm}^3$ $W_y=4,03 \text{ cm}^3$
ACCESSORIES	
E:107TC422	F:177TC422



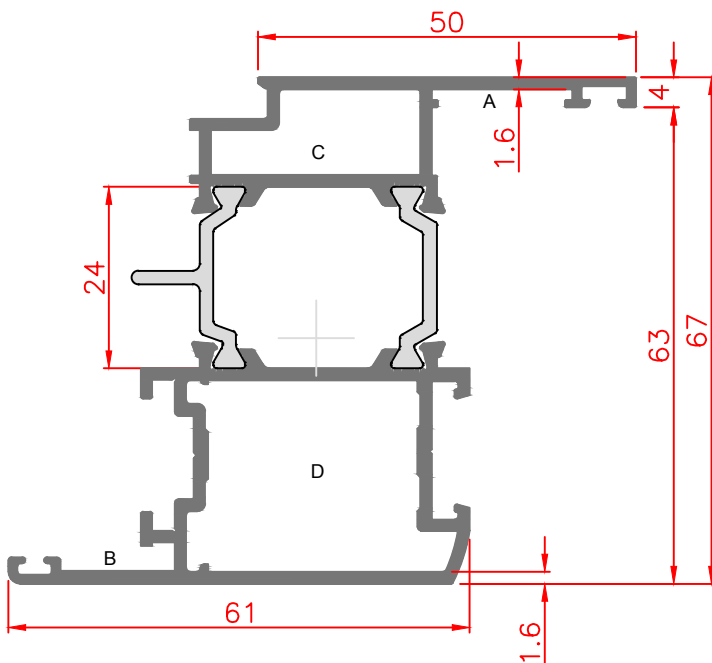
Profile No	
3219/3159	
SYSTEM CODE	FWI 60 M 09
WEIGHT kg/m	2,040 kg/m
MOMENT OF INTERIA	$J_x=77,61 \text{ cm}^4$ $J_y=19,95 \text{ cm}^4$
MOMENT OF RES.	$W_x=18,15 \text{ cm}^3$ $W_y=2,88 \text{ cm}^3$
ACCESSORIES	
E:107TC422	F:177TC422

FWI 60

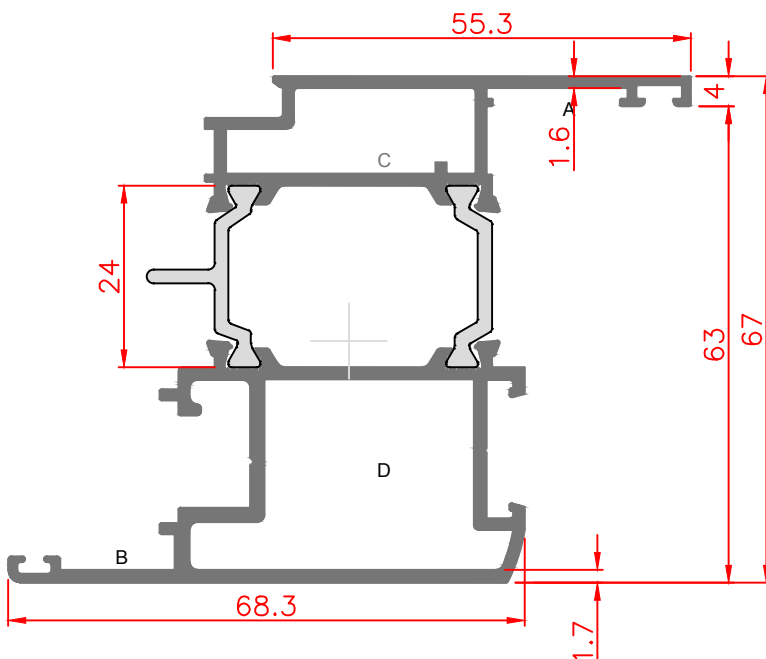
seral[®]



Profile No	
3164/3165	
SYSTEM CODE	FWI 60 V 01
WEIGHT kg/m	1.391 kg/m
MOMENT OF INTERIA	Jx=28,88 cm ⁴ Jy=5,36 cm ⁴
MOMENT OF RES.	Wx=8,17 cm ³ Wy=1,50 cm ³
ACCESSORIES	
A:CS01	B:W_CS02
C:142CC054	D:142CC248



Profile No	
3166/3167	
SYSTEM CODE	FWI 60 V 02
WEIGHT kg/m	1,602 kg/m
MOMENT OF INTERIA	Jx=36,10 cm ⁴ Jy=11,74 cm ⁴
MOMENT OF RES.	Wx=10,46 cm ³ Wy=2,77 cm ³
ACCESSORIES	
A:CS01	B:W_CS02
C:272CC054	D:272CC248

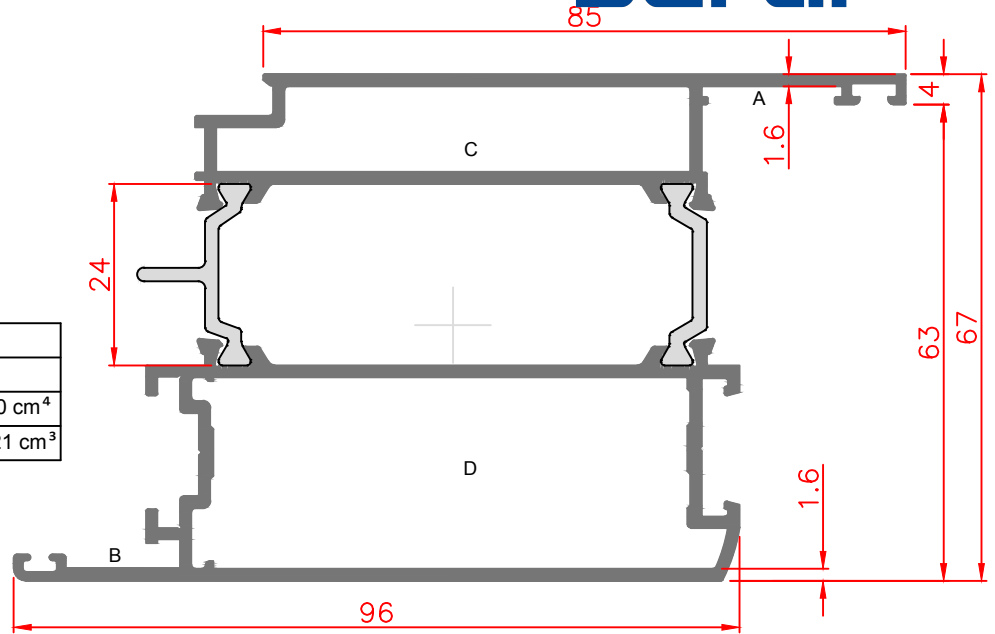


Profile No	
3168/3169	
SYSTEM CODE	FWI 60 V 04
WEIGHT kg/m	1,773 kg/m
MOMENT OF INTERIA	Jx=41,25 cm ⁴ Jy=15,26 cm ⁴
MOMENT OF RES.	Wx=11,77 cm ³ Wy=3,37 cm ³
ACCESSORIES	
A:CS01	B:W_CS02
C:272CC055	D:272CC247

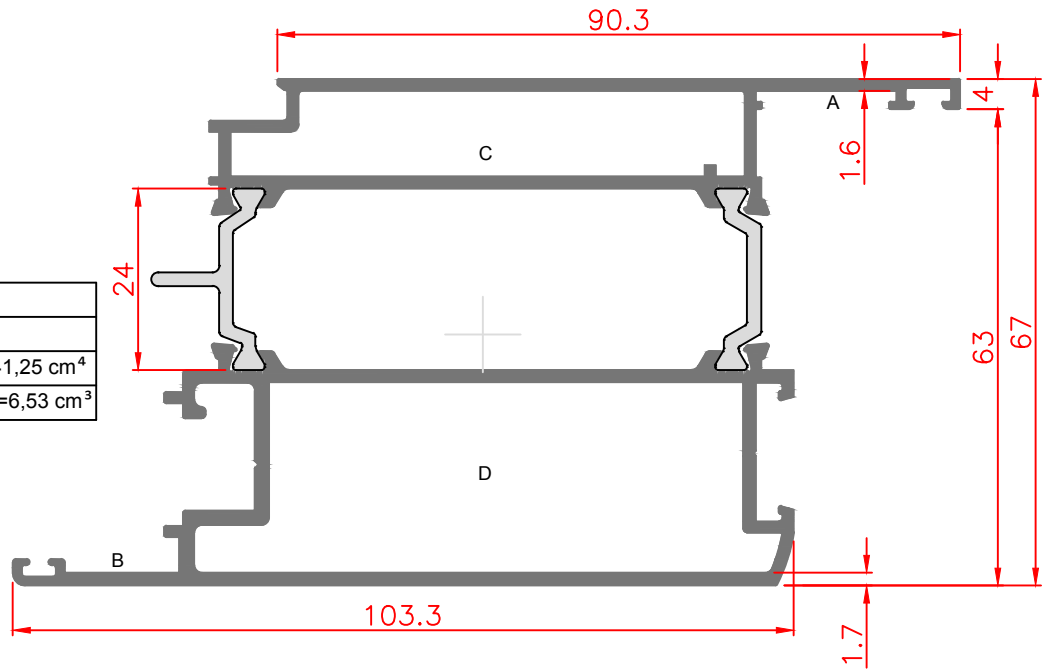
FWI 60

seral[®]

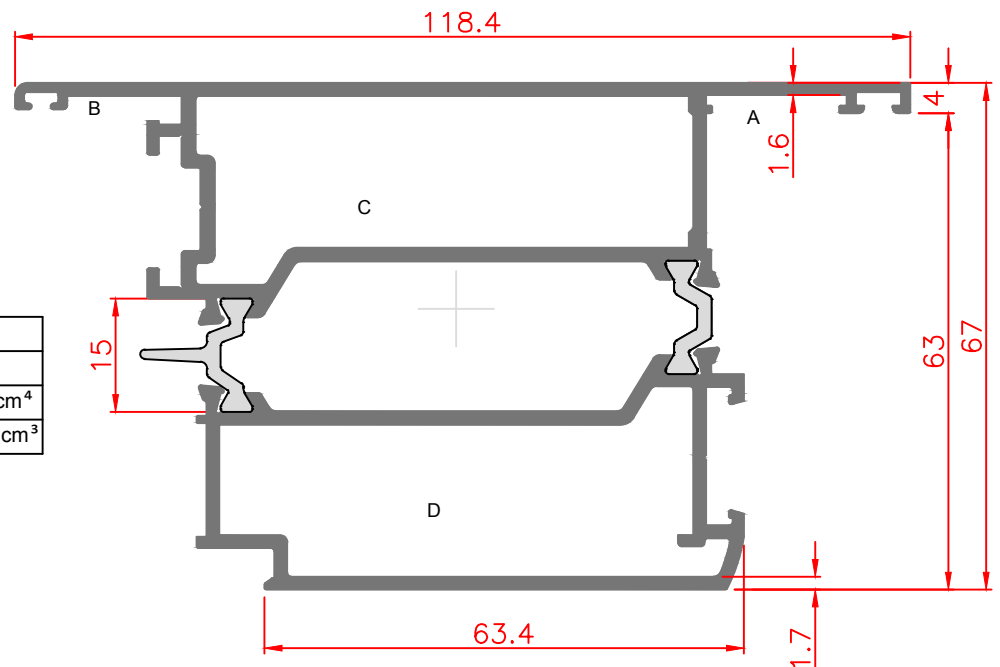
Profile No	
3170/3171	
SYSTEM CODE	FWI 60 V 03
WEIGHT kg/m	2,220 kg/m
MOMENT OF INTERIA	Jx=71,34 cm ⁴ Jy=37,20 cm ⁴
MOMENT OF RES.	Wx=21,50 cm ³ Wy=6,21 cm ³
ACCESSORIES	
A:CS01	B:W_CS02
C:622CC054	D:622CC248



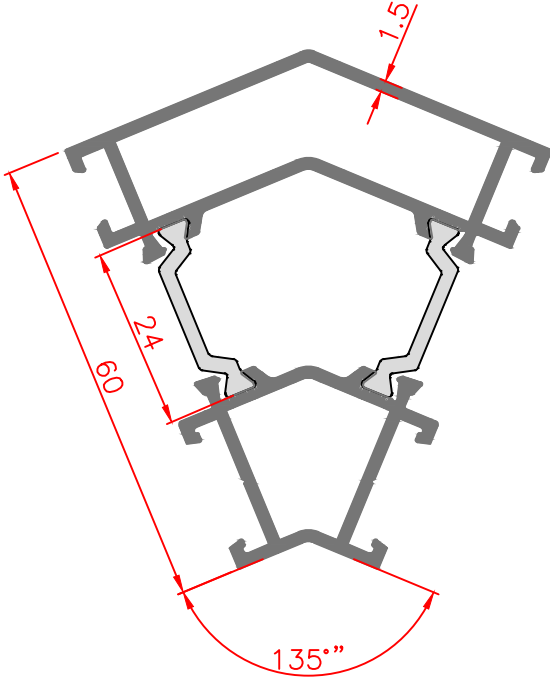
Profile No	
3172/3173	
SYSTEM CODE	FWI 60 V 05
WEIGHT kg/m	2,387 kg/m
MOMENT OF INTERIA	Jx=84,14 cm ⁴ Jy=41,25 cm ⁴
MOMENT OF RES.	Wx=24,90 cm ³ Wy=6,53 cm ³
ACCESSORIES	
A:CS01	B:W_CS02
C:422CC054	D:622CC247



Profile No	
3174/3175	
SYSTEM CODE	FWI 60 V 06
WEIGHT kg/m	2,425 kg/m
MOMENT OF INTERIA	Jx=71,02 cm ⁴ Jy=45,20 cm ⁴
MOMENT OF RES.	Wx=23,77 cm ³ Wy=7,52 cm ³
ACCESSORIES	
A:CS01	B:W_CS02
C:622CC196	D:622CC141

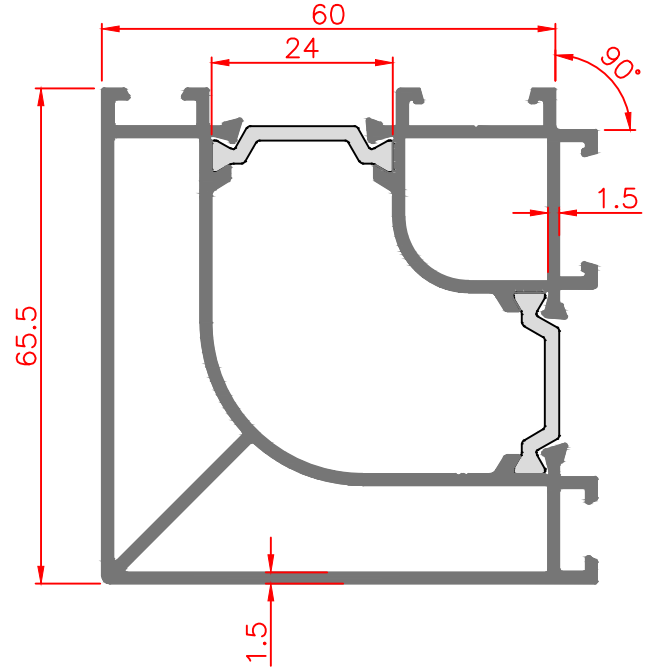


Köşe adaptörleri

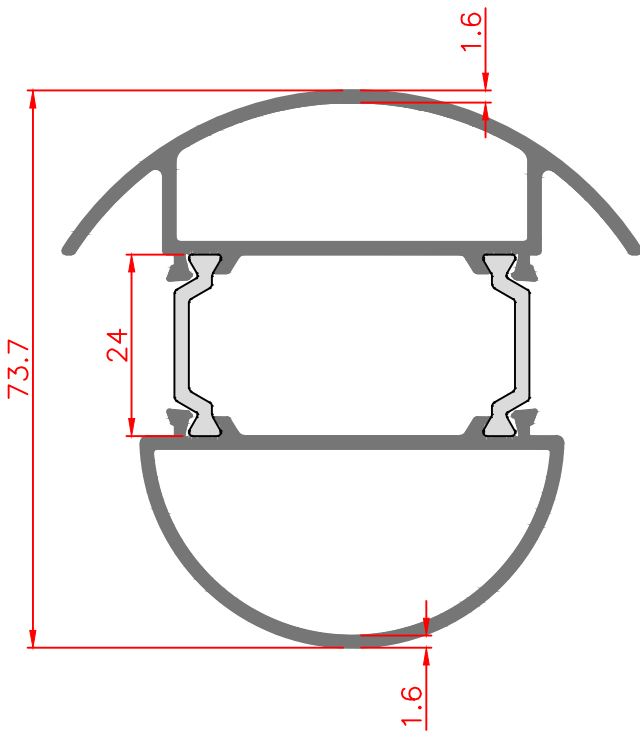


Profile No	
3217/3218	
SYSTEM CODE	FWI 60 A 07
WEIGHT kg/m	1,337 kg/m

Profile No	
3215/3216	
SYSTEM CODE	FWI 60 A 08
WEIGHT kg/m	1,773 kg/m

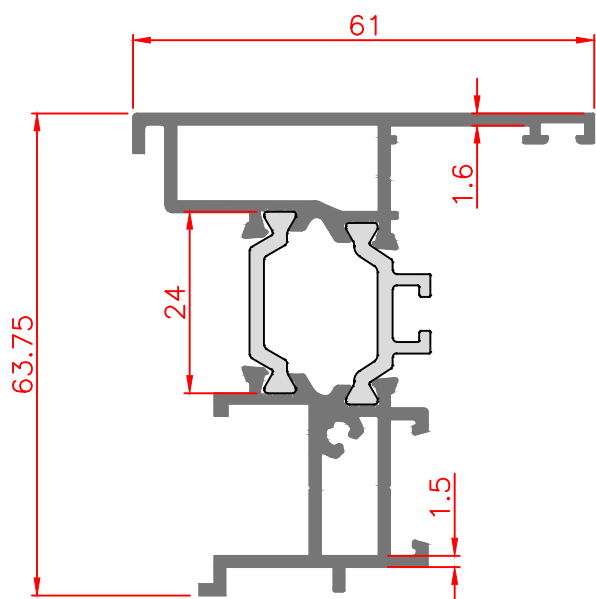


Profile No	
3213/3214	
SYSTEM CODE	FWI 60 A 09
WEIGHT kg/m	1,646 kg/m

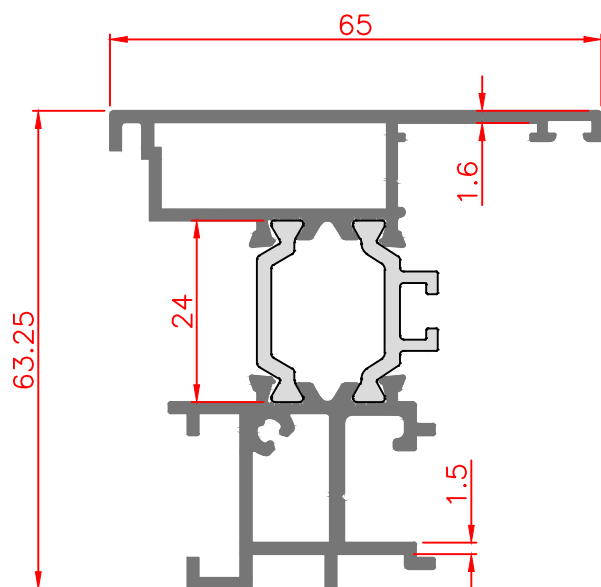


FWI 60

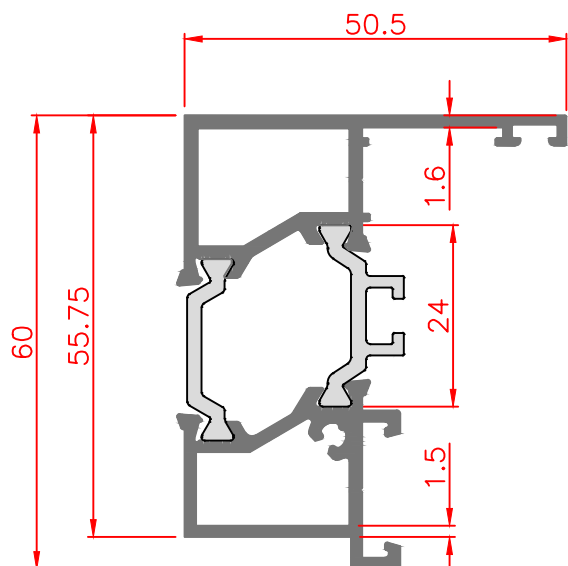
seral[®]



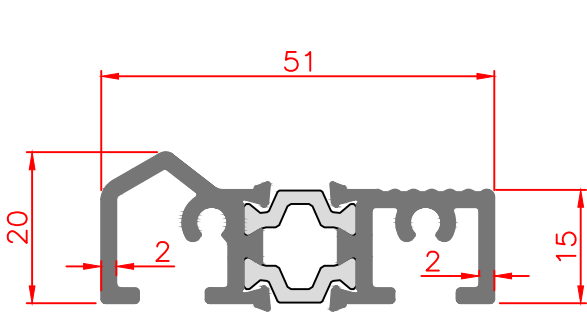
Profile No	
3176/3177	
SYSTEM CODE	FWI 60 A 01
WEIGHT kg/m	1,321 kg/m
MOMENT OF INTERIA	Jx=20,35 cm ⁴ Jy=6,69 cm ⁴



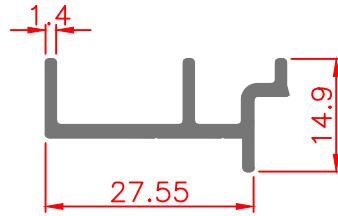
Profile No	
3178/3179	
SYSTEM CODE	FWI 60 A 02
WEIGHT kg/m	1,440 kg/m
MOMENT OF INTERIA	Jx=22,37 cm ⁴ Jy=8,44 cm ⁴



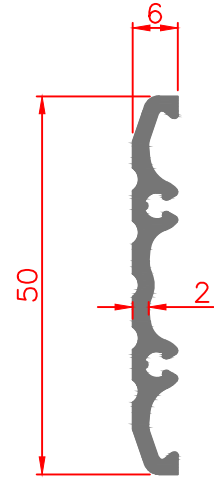
Profile No	
3180-3181	
SYSTEM CODE	FWI 60 A 03
WEIGHT kg/m	1,230 kg/m
MOMENT OF INTERIA	Jx=16,72 cm ⁴ Jy=5,24 cm ⁴



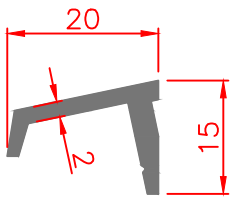
Profile No	
3222-3223	
SYSTEM CODE	FWI 50 A 12
WEIGHT kg/m	0,890 kg/m



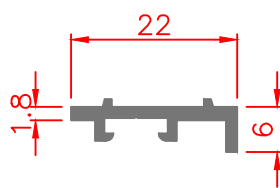
Profile No	
3224	
SYSTEM CODE	FWI 60 A 18
WEIGHT kg/m	0,261 kg/m



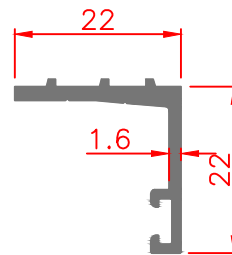
Profile No	
3221	
SYSTEM CODE	FWI 60 A 11
WEIGHT kg/m	0,383 kg/m



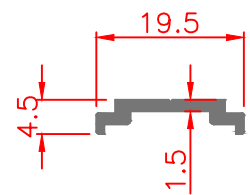
Profile No	
3228	
SYSTEM CODE	FWI 60 A 19
WEIGHT kg/m	0,212 kg/m



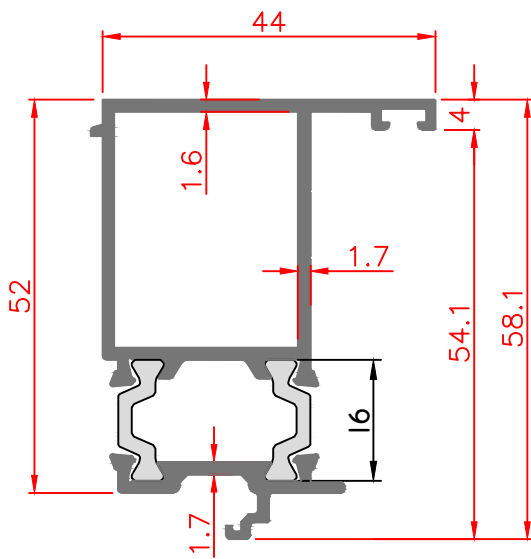
Profile No	
3226	
SYSTEM CODE	FWI 60 A 15
WEIGHT kg/m	0,145 kg/m



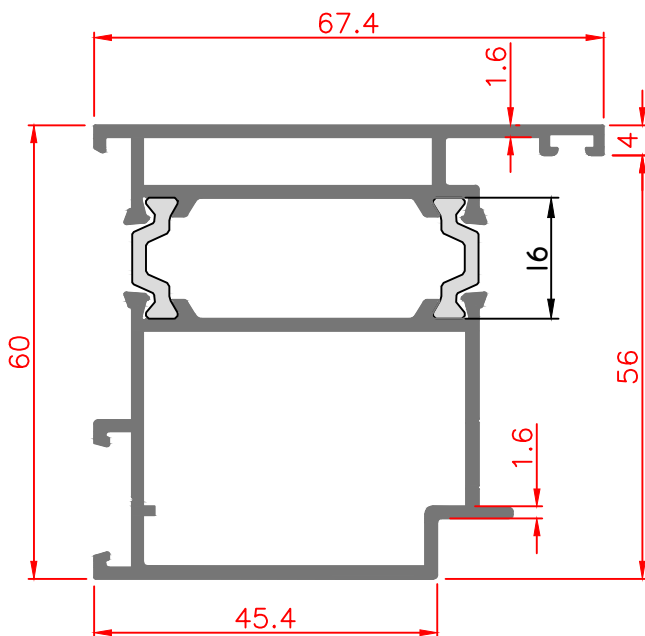
Profile No	
3227	
SYSTEM CODE	FWI 60 A 14
WEIGHT kg/m	0,228 kg/m



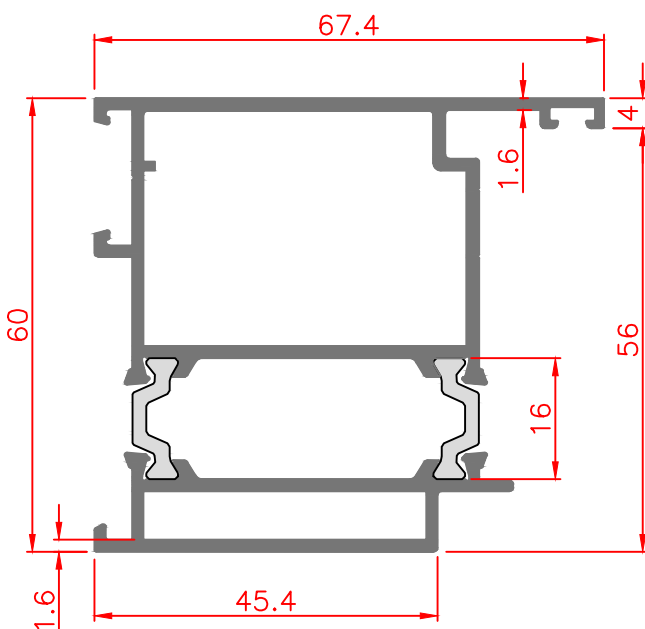
Profile No	
1245	
SYSTEM CODE	FWI 60 A 16
WEIGHT kg/m	0,104 kg/m



Profile No	
3753-3752	
SYSTEM CODE	FWI 60 A 17
WEIGHT kg/m	1,021 kg/m
MOMENT OF INTERIA	Jx=12,47 cm ⁴ Jy=4,45 cm ⁴
MOMENT OF RES.	Wx=4,83 cm ³ Wy=1,64 cm ³



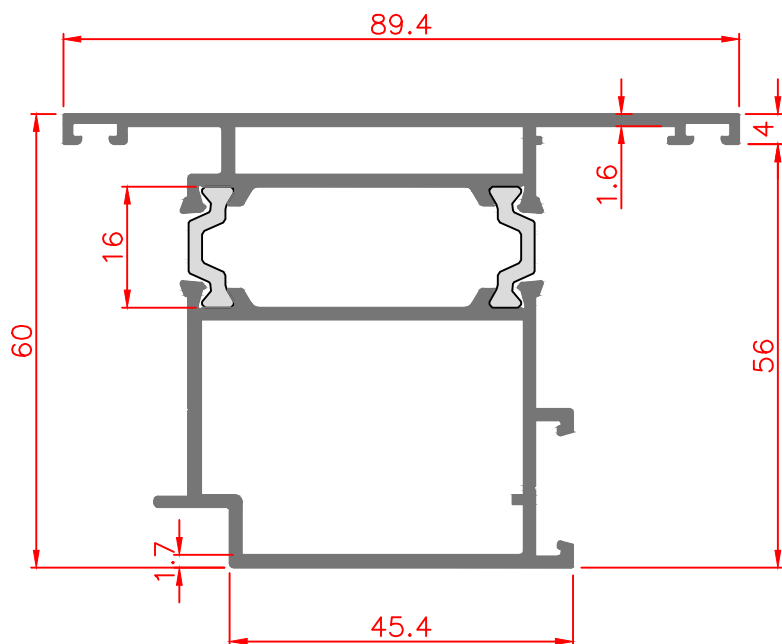
Profile No	
3755-3754	
SYSTEM CODE	FWI 60 FD 01
WEIGHT kg/m	1,570 kg/m
MOMENT OF INTERIA	Jx=25,61 cm ⁴ Jy=17,25 cm ⁴
MOMENT OF RES.	Wx=9,96 cm ³ Wy=4,43 cm ³
ACCESSORIES	
A:CS01	
C:142CC108	D:142CC178



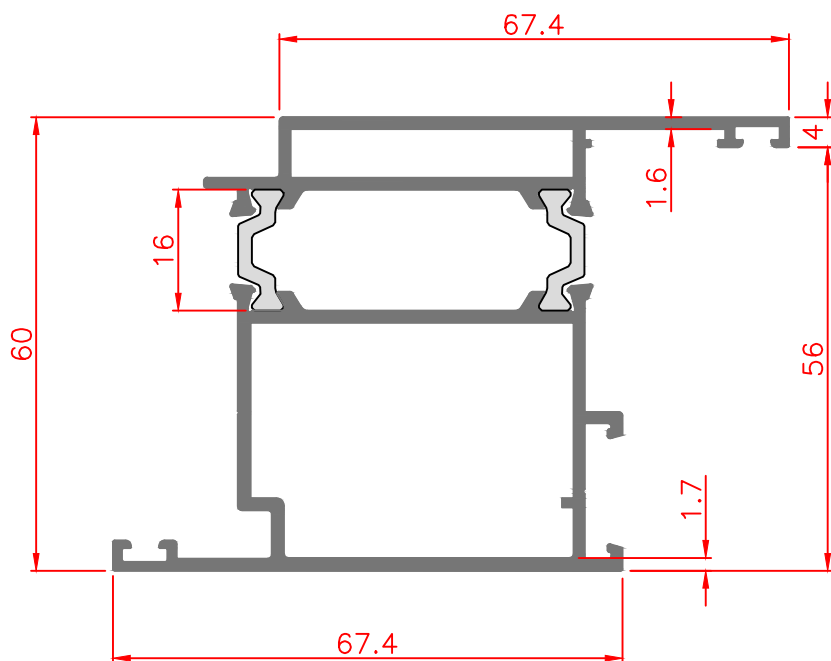
Profile No	
3757-3756	
SYSTEM CODE	FWI 60 FD 02
WEIGHT kg/m	1,565 kg/m
MOMENT OF INTERIA	Jx=26,48 cm ⁴ Jy=17,19 cm ⁴
MOMENT OF RES.	Wx=8,71 cm ³ Wy=4,42 cm ³
ACCESSORIES	
A:CS01	
C:142CC108	D:142CC178
E:107TC142	F:177TC142

FWI 60

seral[®]



Profile No	
3759-3758	
SYSTEM CODE	FWI 60 FV 01
WEIGHT kg/m	1,678 kg/m
MOMENT OF INTERIA	Jx=26,91 cm ⁴ Jy=24,56 cm ⁴
MOMENT OF RES.	Wx=11,17 cm ³ Wy=5,15 cm ³
ACCESSORIES	
A:CS01	
C:142CC108	D:142CC178
E:107TC142	F:177TC142

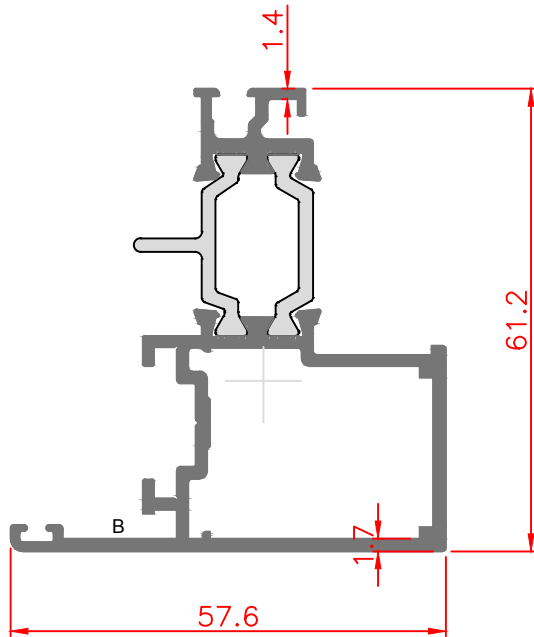


Profile No	
3760-3757	
SYSTEM CODE	FWI 60 FV 02
WEIGHT kg/m	1,672 kg/m
MOMENT OF INTERIA	Jx=34,13 cm ⁴ Jy=18,87 cm ⁴
MOMENT OF RES.	Wx=12,36 cm ³ Wy=3,96 cm ³
ACCESSORIES	
A:CS01	
C:142CC108	D:142CC178
E:107TC142	F:177TC142

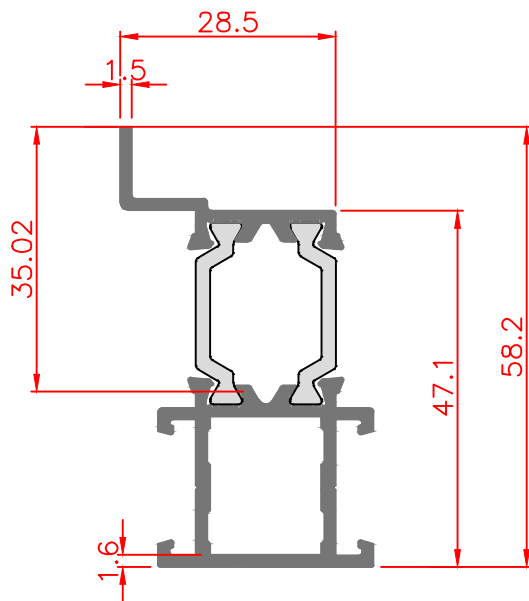
FWI 60

serai[®]

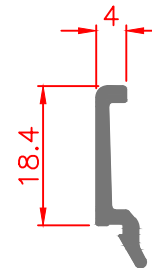
*GIZLI KANATLI SISTEM /
HIDDEN VENT SYSTEM*



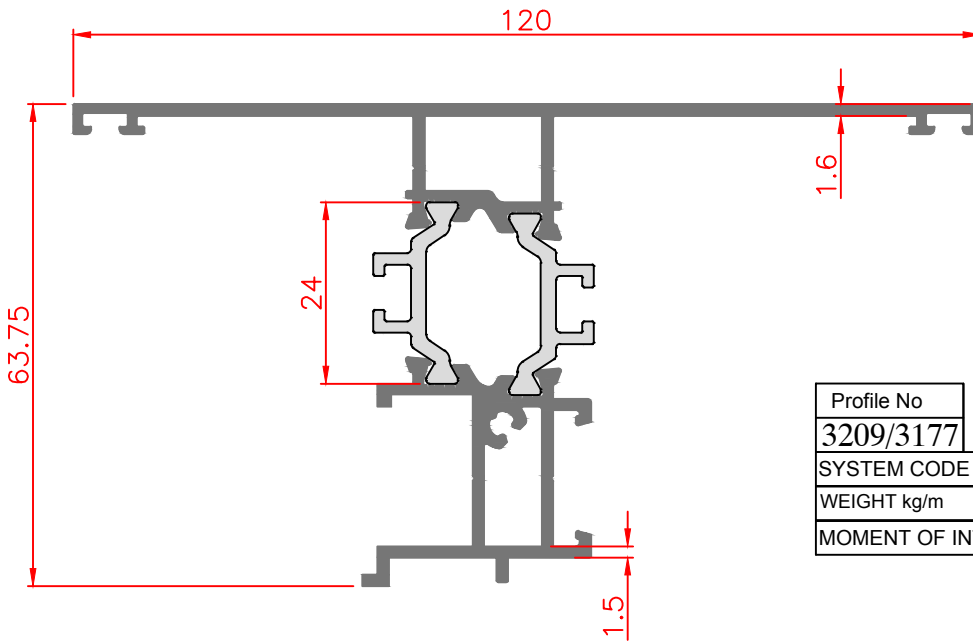
Profile No	
3205/3206	
SYSTEM CODE	FWI 60 V 07
WEIGHT kg/m	1,226 kg/m
MOMENT OF INTERIA	Jx=15,26 cm ⁴ Jy=7,56 cm ⁴
MOMENT OF RES.	Wx=6,31 cm ³ Wy=1,95 cm ³
ACCESSORIES	
B:W_CS02	
C:272CC054	



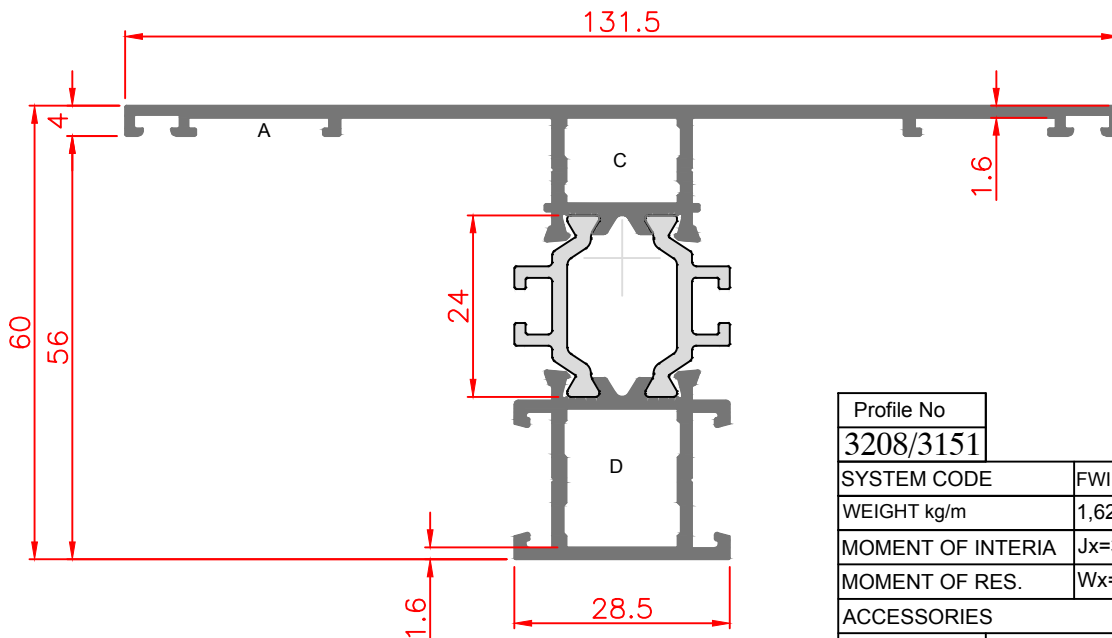
Profile No	
3210/3151	
SYSTEM CODE	FWI 60 A 04
WEIGHT kg/m	0,916 kg/m
MOMENT OF INTERIA	Jx=9,02 cm ⁴ Jy=2,01 cm ⁴



Profile No	
3200	
SYSTEM CODE	FWI 60 A 05
WEIGHT kg/m	0,145 kg/m

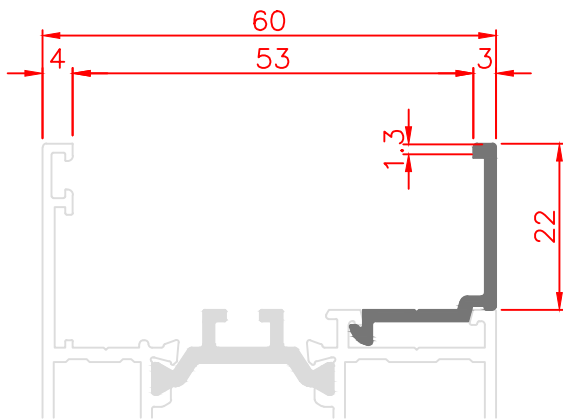


Profile No	
3209/3177	
SYSTEM CODE	FWI 60 A 06
WEIGHT kg/m	1,578 kg/m
MOMENT OF INTERIA	Jx=29,79 cm ⁴ Jy=24,53 cm ⁴

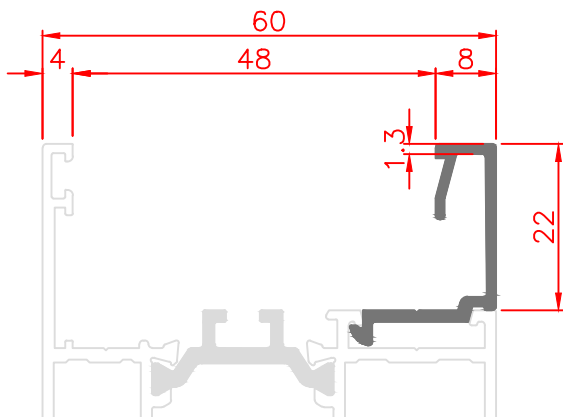


Profile No	
3208/3151	
SYSTEM CODE	FWI 60 M 10
WEIGHT kg/m	1,627 kg/m
MOMENT OF INTERIA	Jx=38,21 cm ⁴ Jy=25,16 cm ⁴
MOMENT OF RES.	Wx=18,98 cm ³ Wy=3,82 cm ³
ACCESSORIES	
E:107TC422	F:177TC422

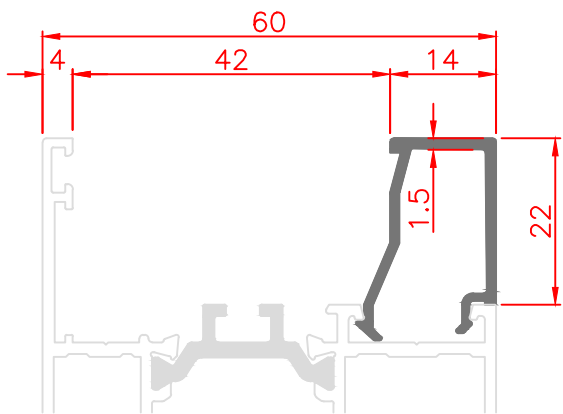
*CAM CITASI VE FITİL SECİMİ /
GLAZING BEAT AND GASKET
SELECTION*



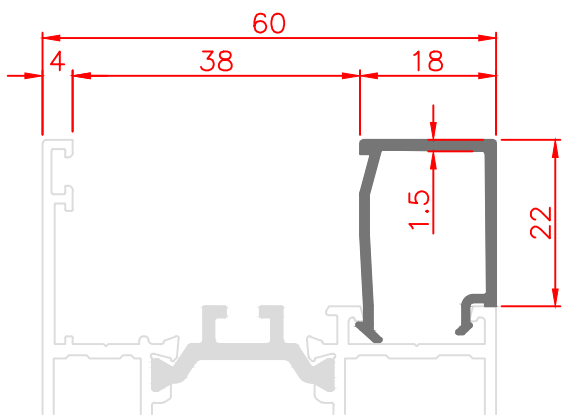
Profile No	
3182	
System Code	GB 01
Weight kg/mt	0,185 kg/m



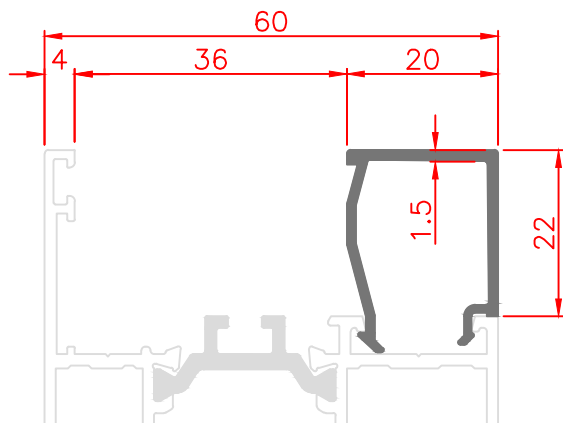
Profile No	
3183	
System Code	GB 02
Weight kg/mt	0,221 kg/m



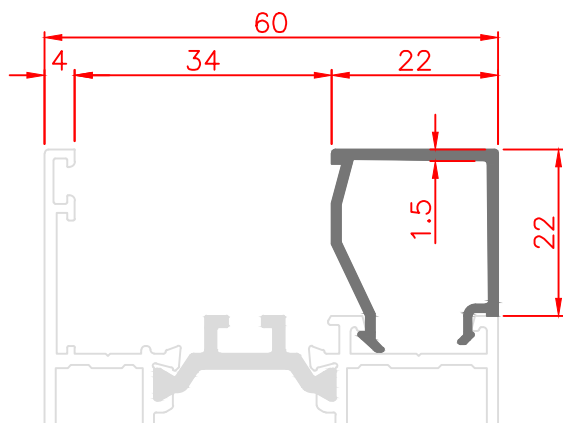
Profile No	
3184	
System Code	GB 03
Weight kg/mt	0,235 kg/m



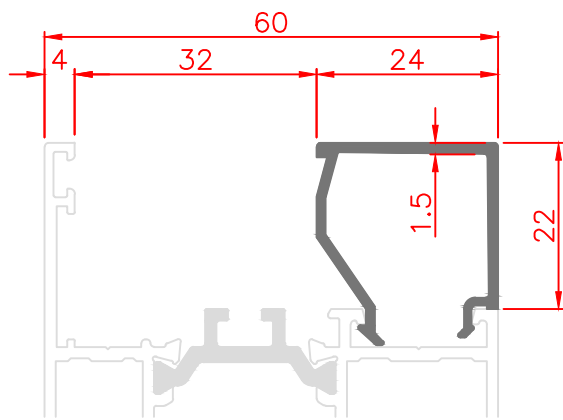
Profile No	
3185	
System Code	GB 04
Weight kg/mt	0,249 kg/m



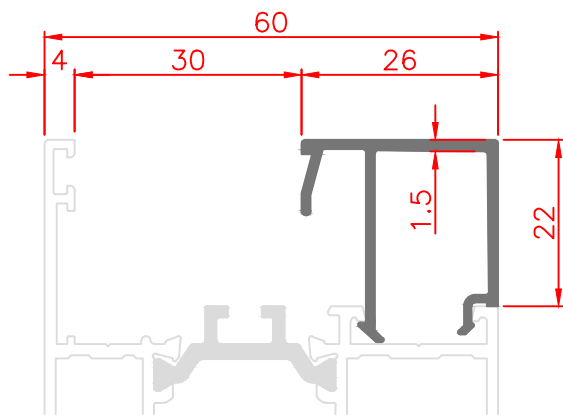
Profile No	
3186	
System Code	GB 05
Weight kg/mt	0,257 kg/m



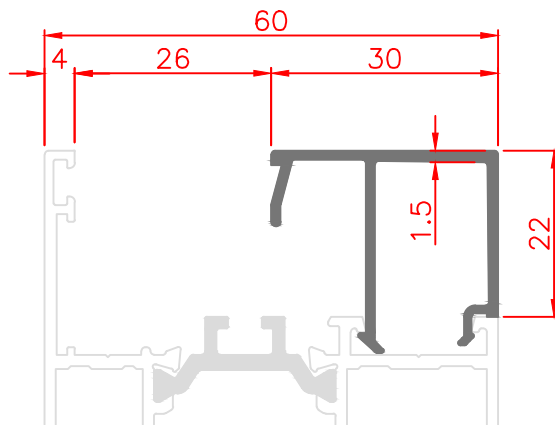
Profile No	
3187	
System Code	GB 06
Weight kg/mt	0,266 kg/m



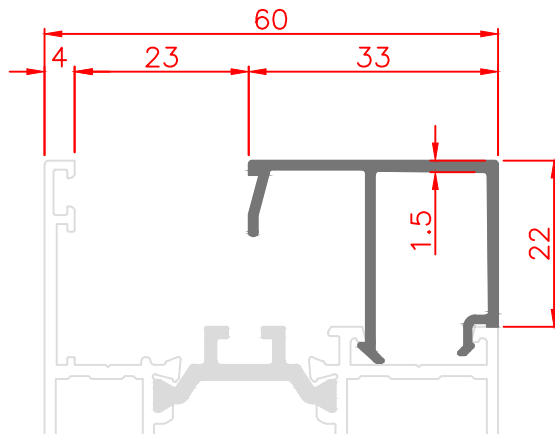
Profile No	
3188	
System Code	GB 07
Weight kg/mt	0,276kg/m



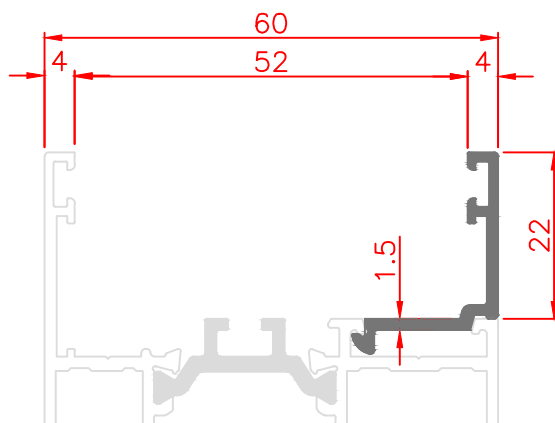
Profile No	
3189	
System Code	GB 08
Weight kg/mt	0,306 kg/m



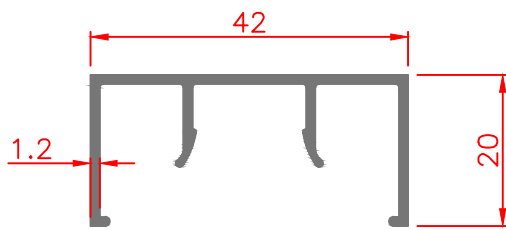
Profile No	
3190	
System Code	GB 09
Weight kg/mt	0,319 kg/m



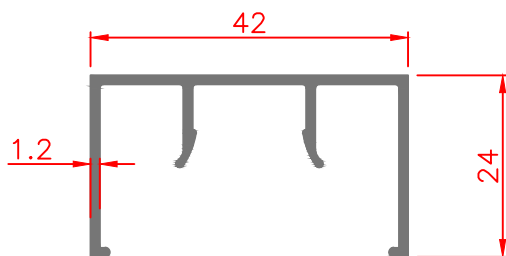
Profile No	
3191	
System Code	GB 10
Weight kg/mt	0,329 kg/m



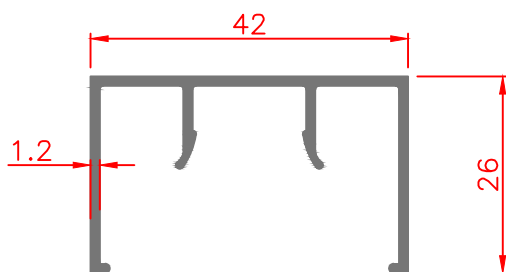
Profile No	
3229	
System Code	GB 11
Weight kg/mt	0,196 kg/m



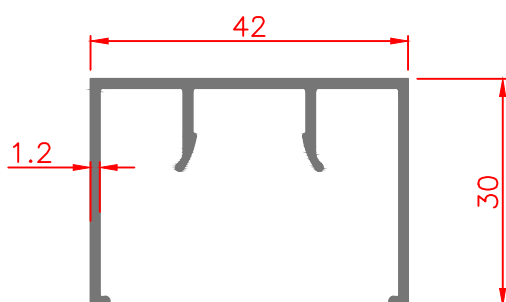
Profile No	3204
System Code	GB 11
Weight kg/m	0,339 kg/m



Profile No	3203
System Code	GB 12
Weight kg/m	0,365kg/m

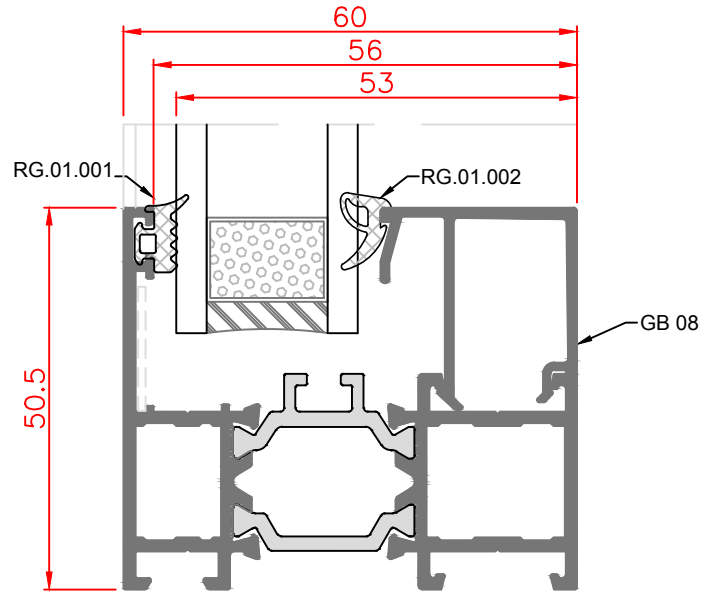





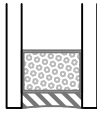
Profile No	3202
System Code	GB 13
Weight kg/m	0,378kg/m



Profile No	3201
System Code	GB 14
Weight kg/m	0,404 kg/m

CAM TABLOSU / GLAZING TABLE

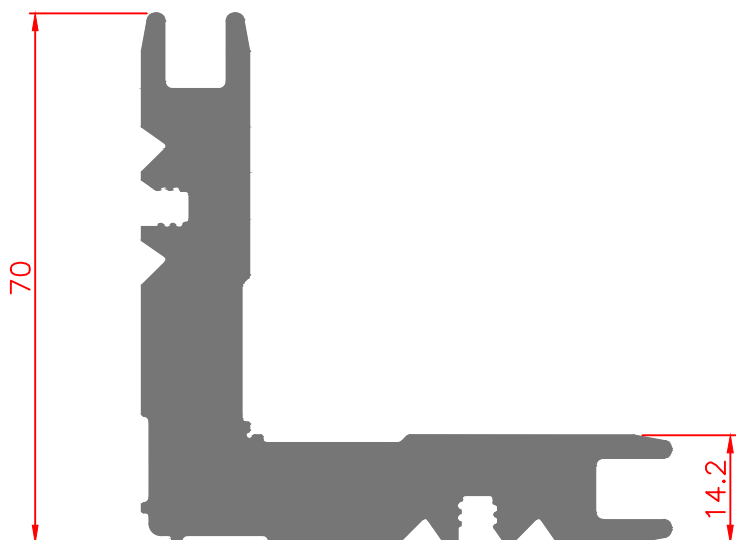


CAM ÇITASI / GLAZING BEAD	İÇ CAM FİTİLİ / INNER GLASS GASKET	DIŞ CAM FİTİLLERİ / OUTER GLASS GASKETS		CAM/GLASS
		3 mm	3-4 mm	
	 RG.01.001	 RG.01.002	 RG.01.003	
GB 10 33 mm	●	●		17 mm
GB 9 30 mm	●		●	18 mm
GB 9 30 mm	●	●		20 mm
GB 8 26 mm	●		●	21 mm
GB 8 26 mm	●		●	22 mm
GB 8 26 mm	●	●		23 mm
GB 8 26 mm	●	●		24 mm
GB 7 24 mm	●	●		25 mm
GB 7 24 mm	●	●		26 mm
GB 6 22 mm	●	●		27 mm
GB 6 22 mm	●	●		28 mm
GB 5 20 mm	●	●		29 mm
GB 5 20 mm	●	●		30 mm
GB 4 18 mm	●	●		31 mm
GB 4 18 mm	●	●		32 mm
GB 3 14 mm	●		●	33 mm
GB 3 14 mm	●		●	34 mm
GB 3 14 mm	●	●		35 mm
GB 3 14 mm	●	●		36 mm
GB 2 8 mm	●		●	39 mm
GB 2 8 mm	●		●	40 mm
GB 1 3 mm	●		●	44 mm

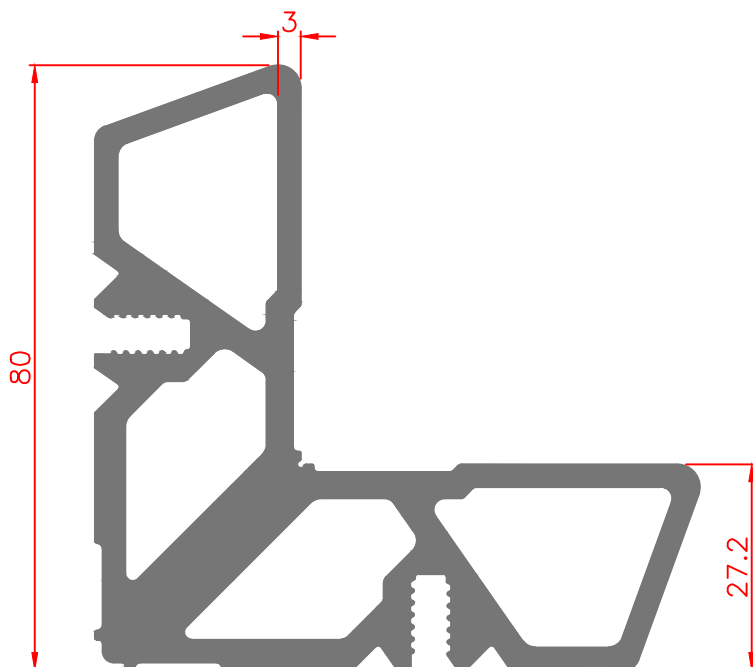
*BAGLANTILAR /
CORNER CLEATS &
T CONNECTORS*

FWI 60

seral[®]



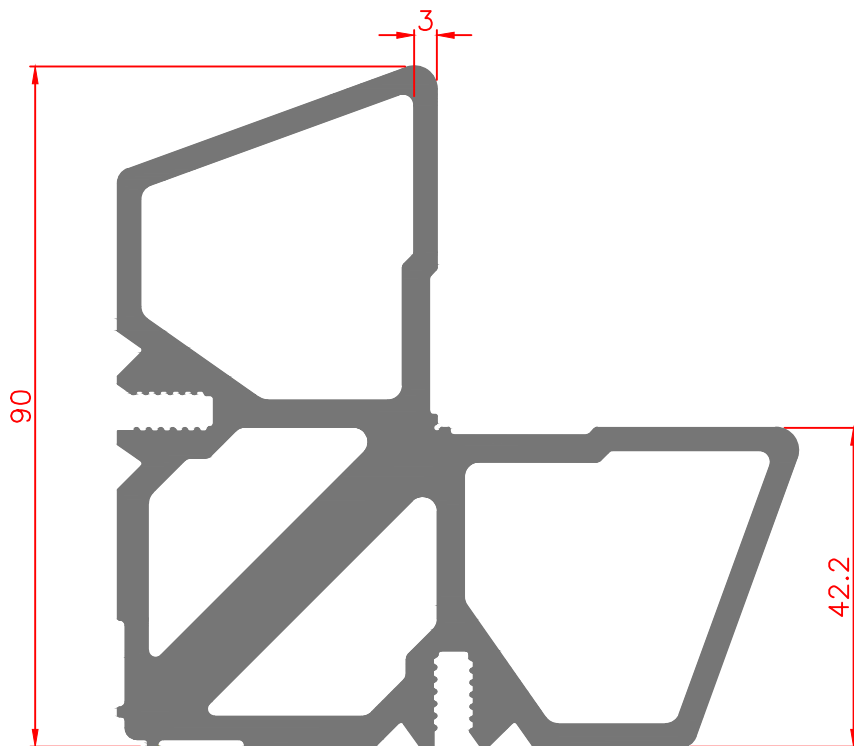
Profile No	
3193	
SYSTEM CODE	CC 142
WEIGHT kg/m	3,885 kg/m



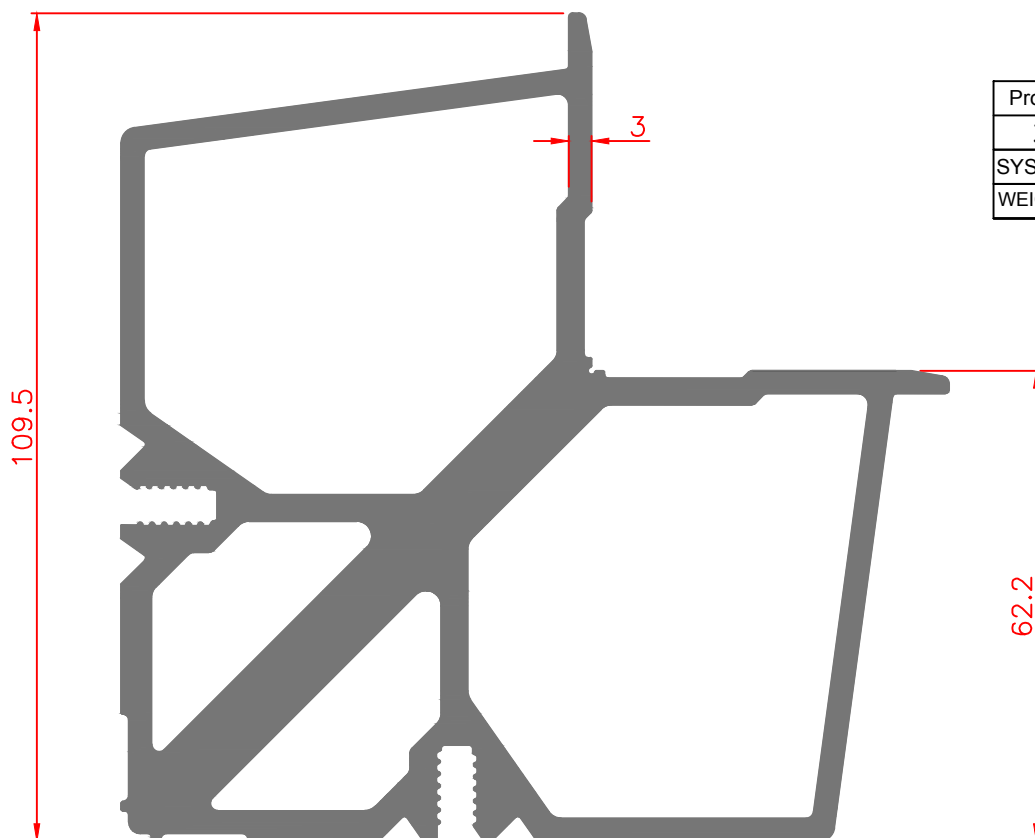
Profile No	
3194	
SYSTEM CODE	CC 272
WEIGHT kg/m	3,997 kg/m

FWI 60

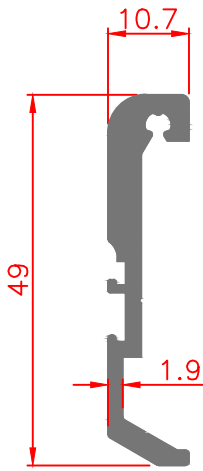
seral[®]



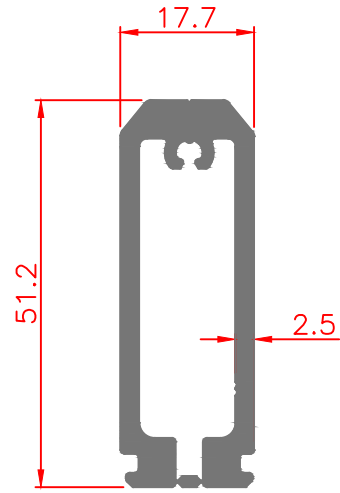
Profile No	
3195	
SYSTEM CODE	CC 422
WEIGHT kg/m	5,046 kg/m



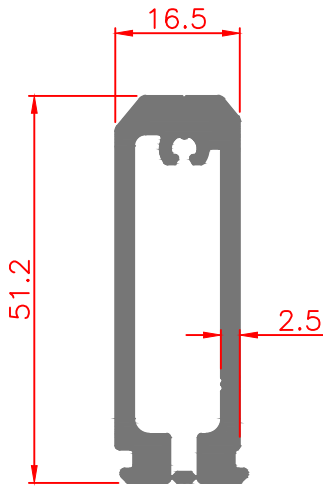
Profile No	
3196	
SYSTEM CODE	CC 622
WEIGHT kg/m	6,305 kg/m



Profile No	
3197	
SYSTEM CODE	TC 107
WEIGHT kg/m	0,541 kg/m



Profile No	
3198	
SYSTEM CODE	TC 177
WEIGHT kg/m	1,002 kg/m

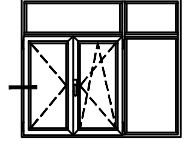


Profile No	
3199	
SYSTEM CODE	TC 165
WEIGHT kg/m	1.000 kg/m

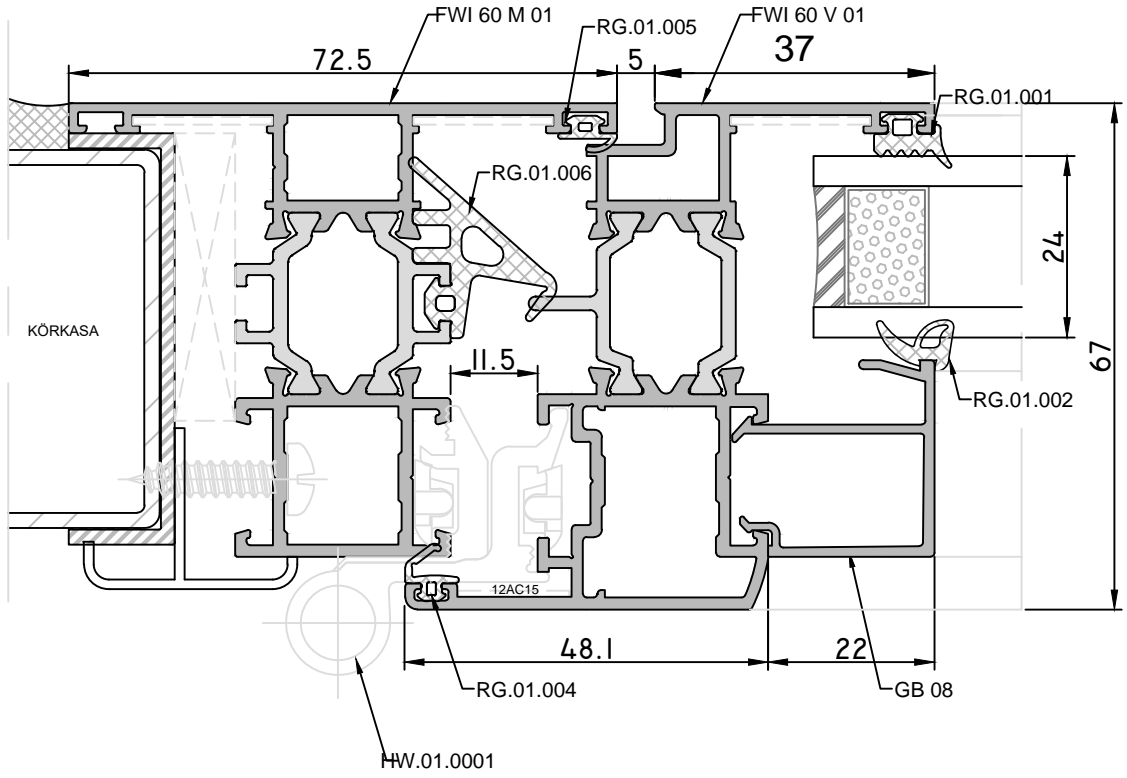
FWI 60

serai[®]

*SISTEM DETAYLARI /
SYSTEM DETAILS*

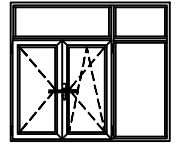


İÇE AÇILIR PENCERE
INWARD OPENING WINDOW

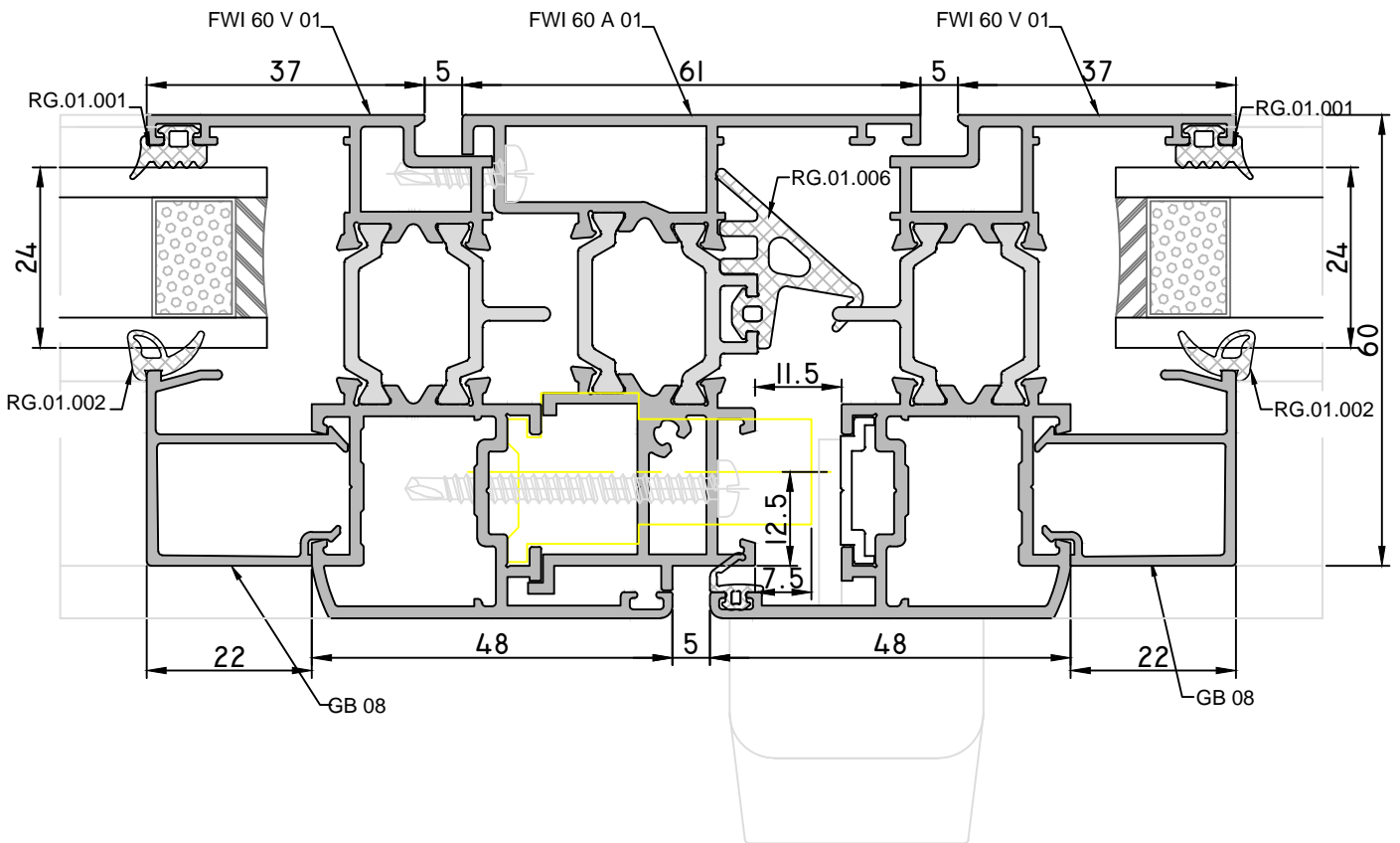


FWI 60

seral®

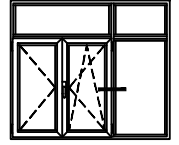


İÇE AÇILIR PENCERE
INWARD OPENING WINDOW

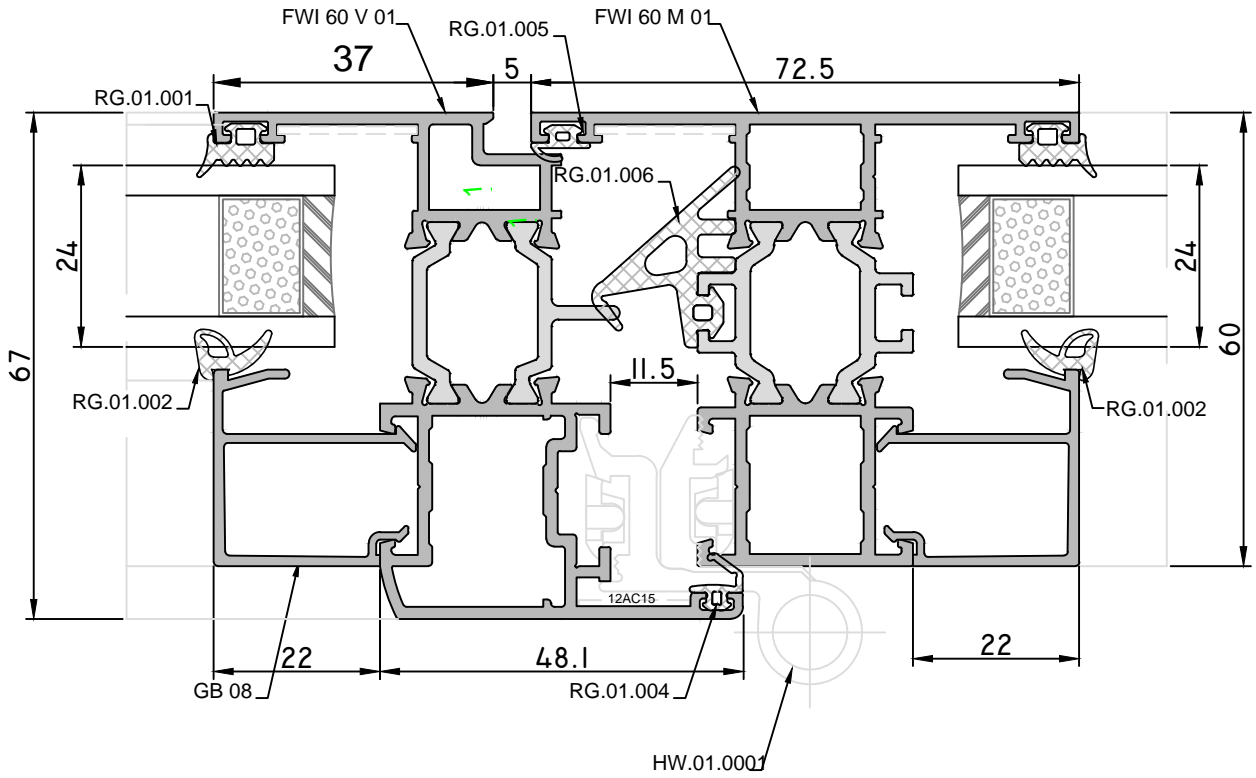


FWI 60

seral®

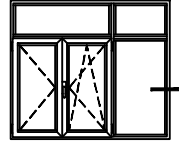


İÇE AÇILIR PENCERE
INWARD OPENING WINDOW

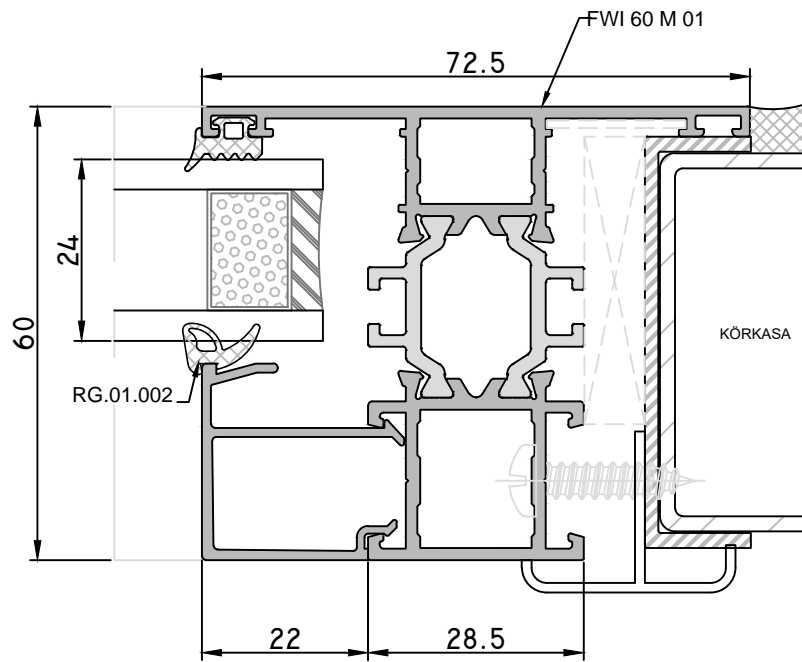


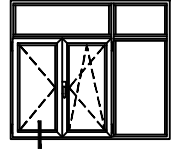
FWI 60

seral[®]

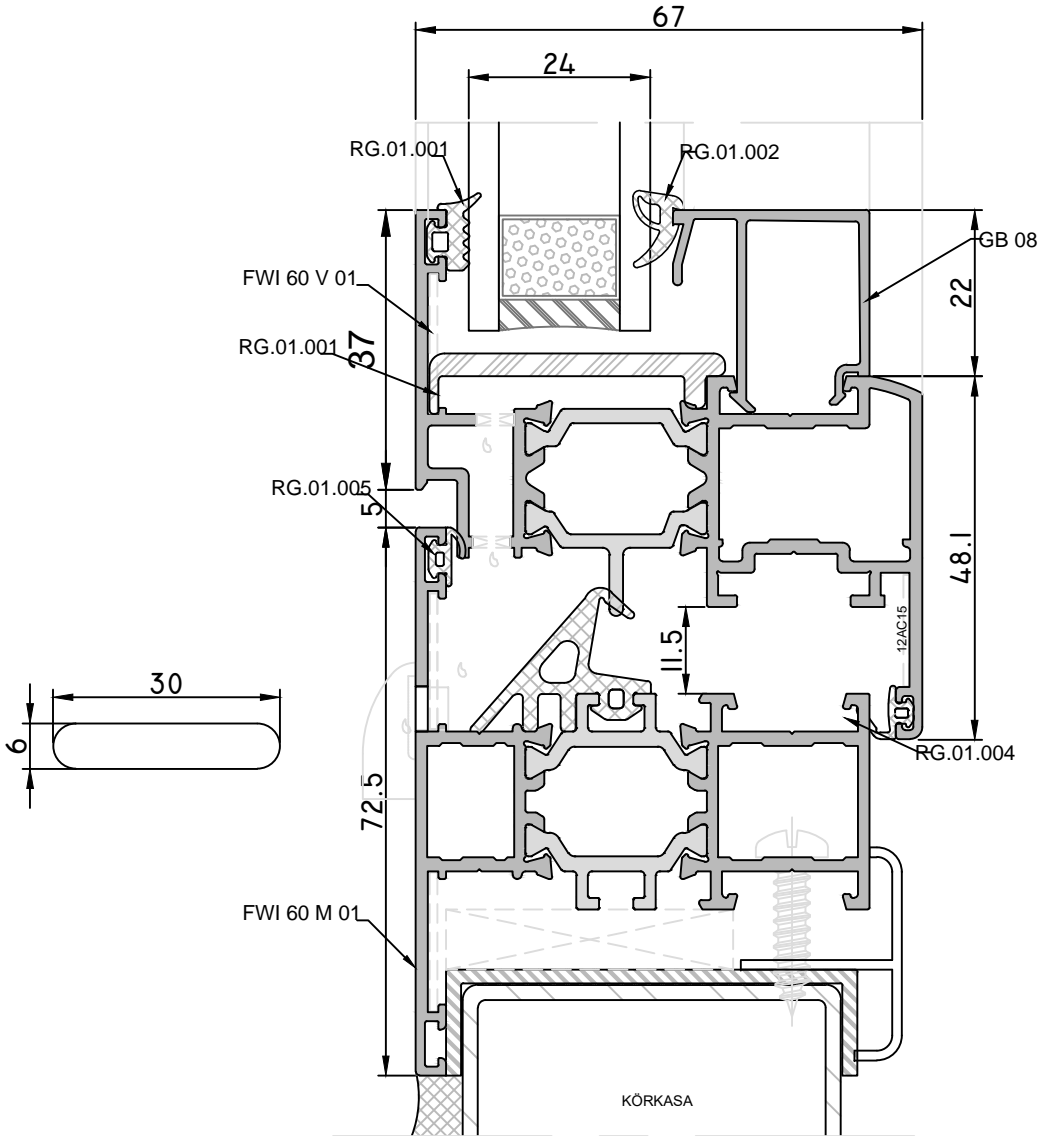


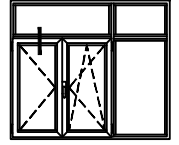
İÇE AÇILIR PENCERE
INWARD OPENING WINDOW



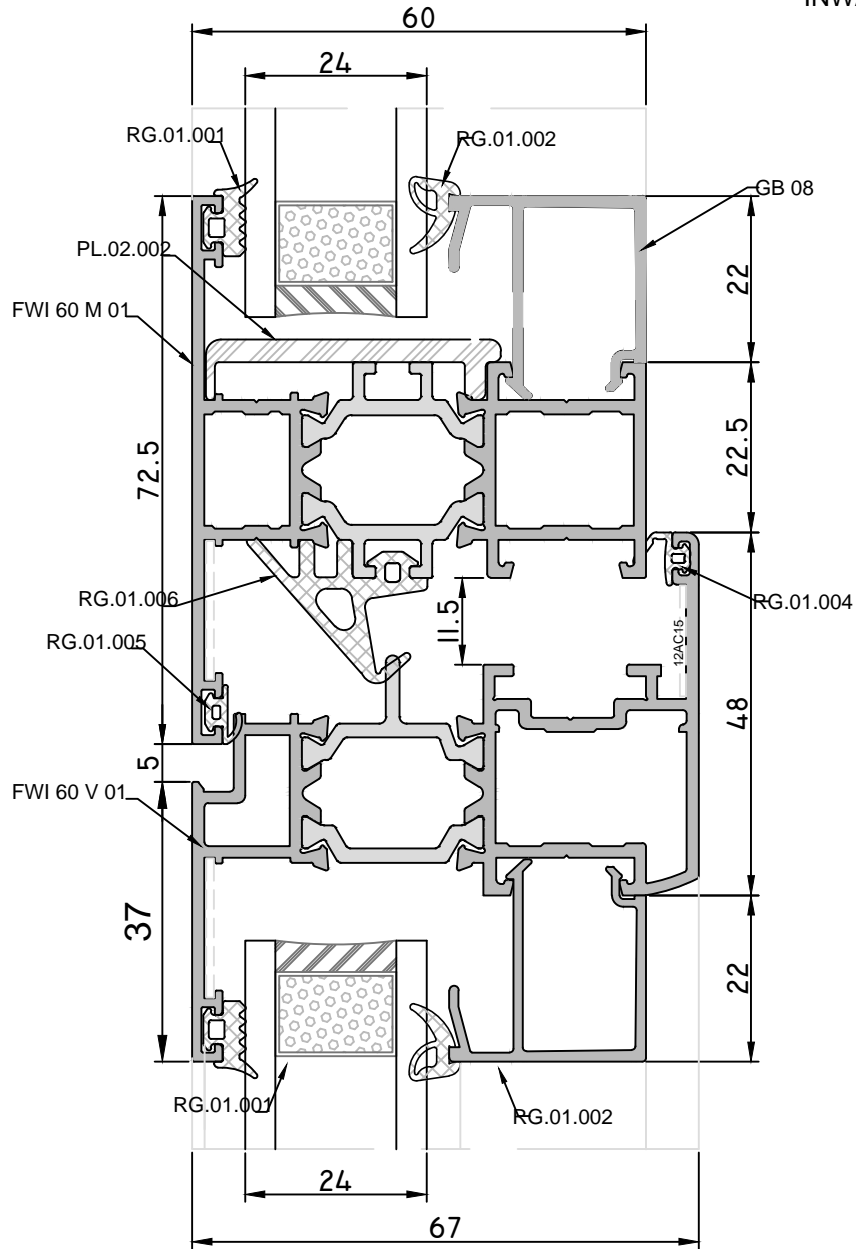


İÇE AÇILIR PENCERE
INWARD OPENING WINDOW



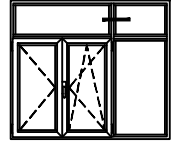


İÇE AÇILIR PENCERE
INWARD OPENING WINDOW

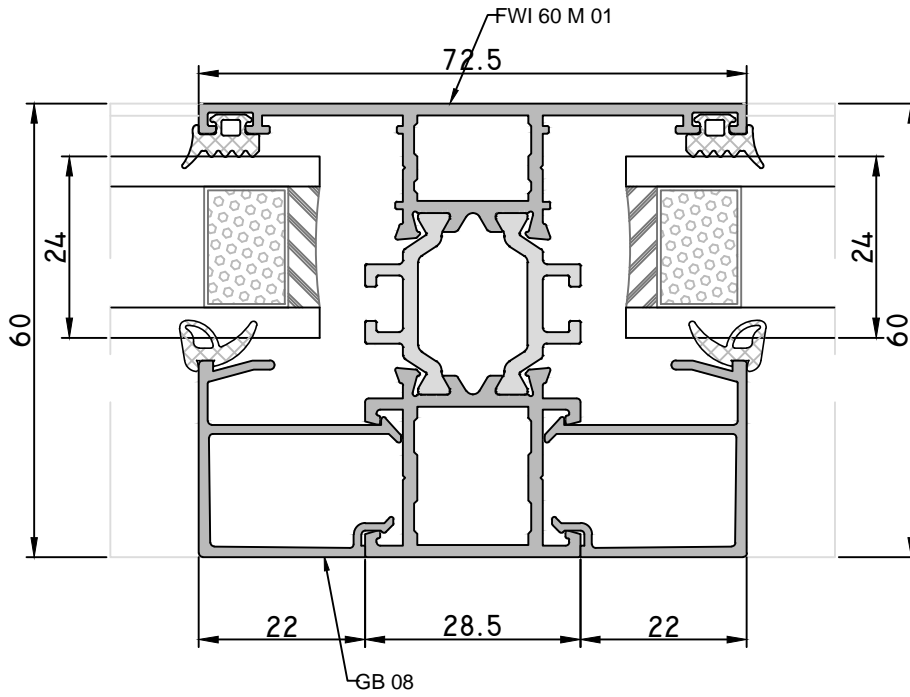


FWI 60

seral®

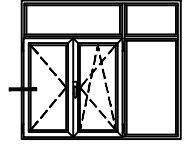


İÇE AÇILIR PENCERE
INWARD OPENING WINDOW

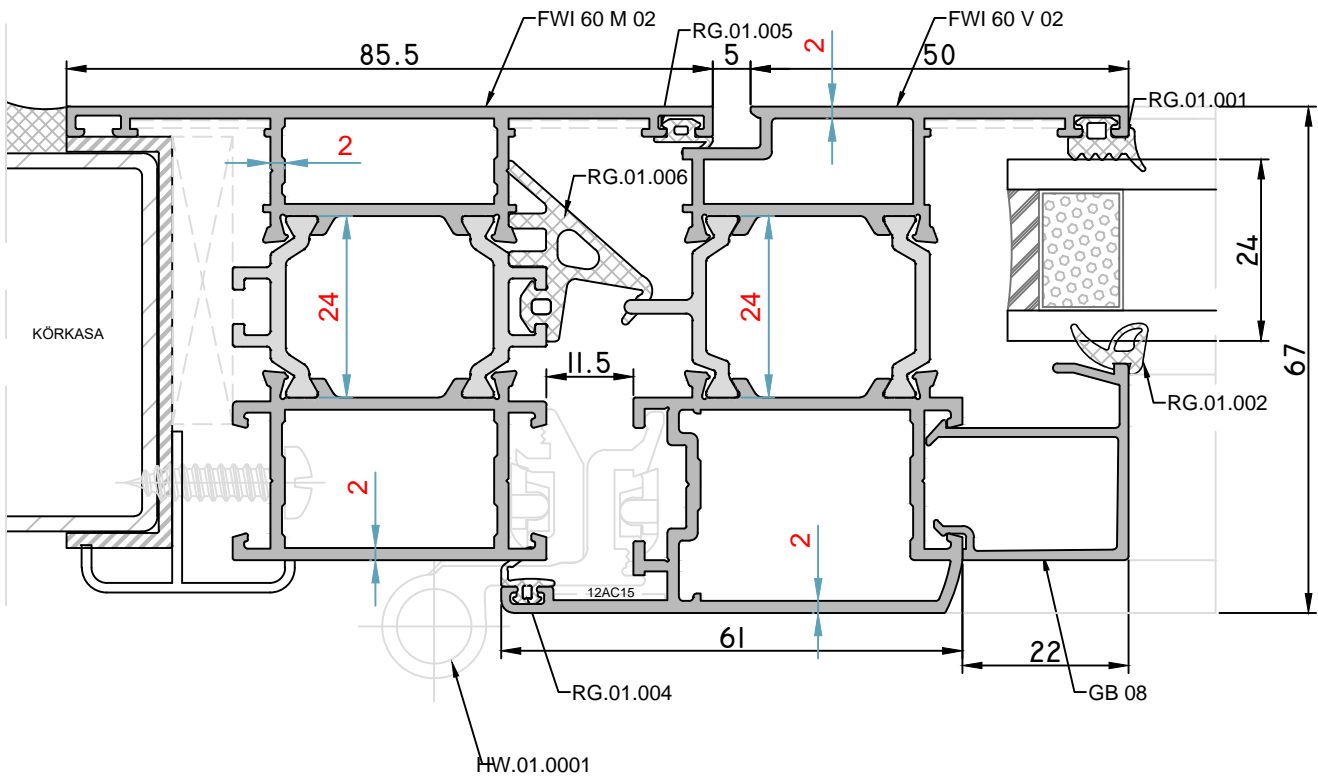


FWI 60

seral®

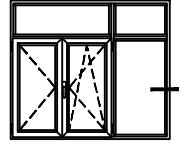


İÇE AÇILIR PENCERE
INWARD OPENING WINDOW

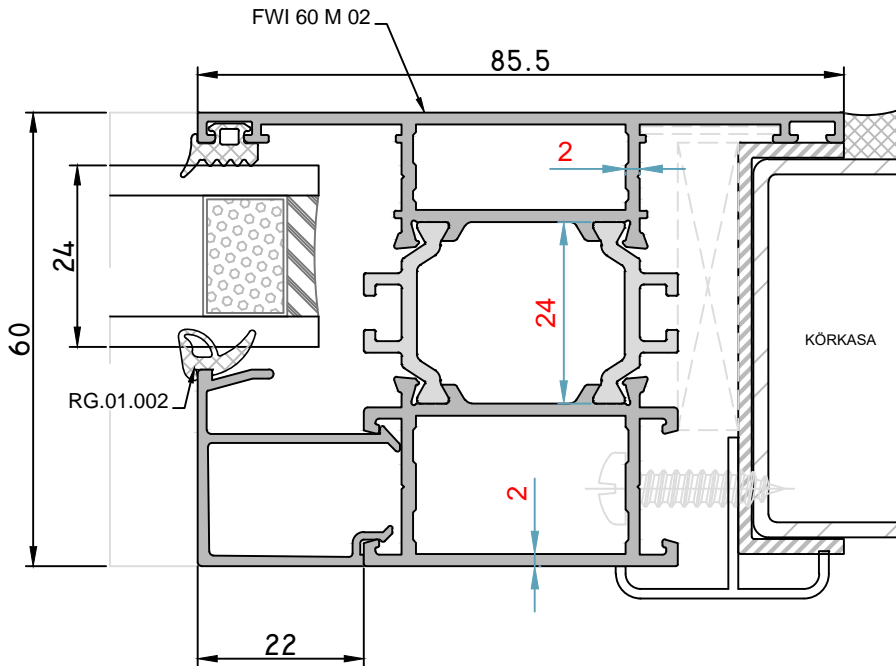


FWI 60

seral

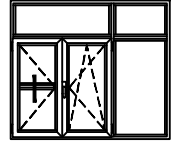


İÇE AÇILIR PENCERE
INWARD OPENING WINDOW

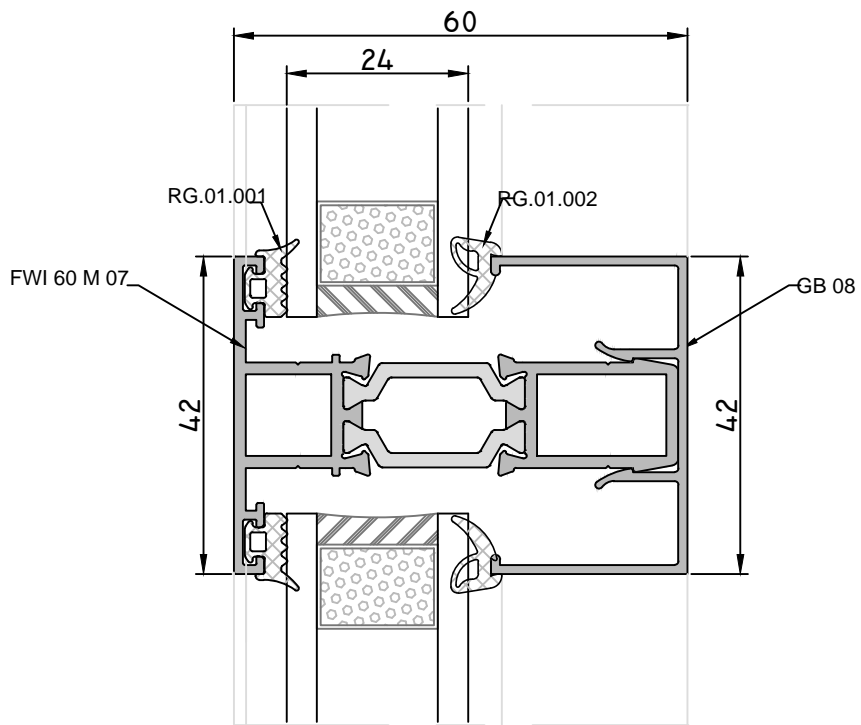


FWI 60

seral[®]

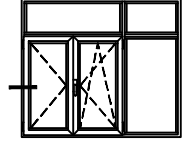


İÇE AÇILIR PENCERE
INWARD OPENING WINDOW

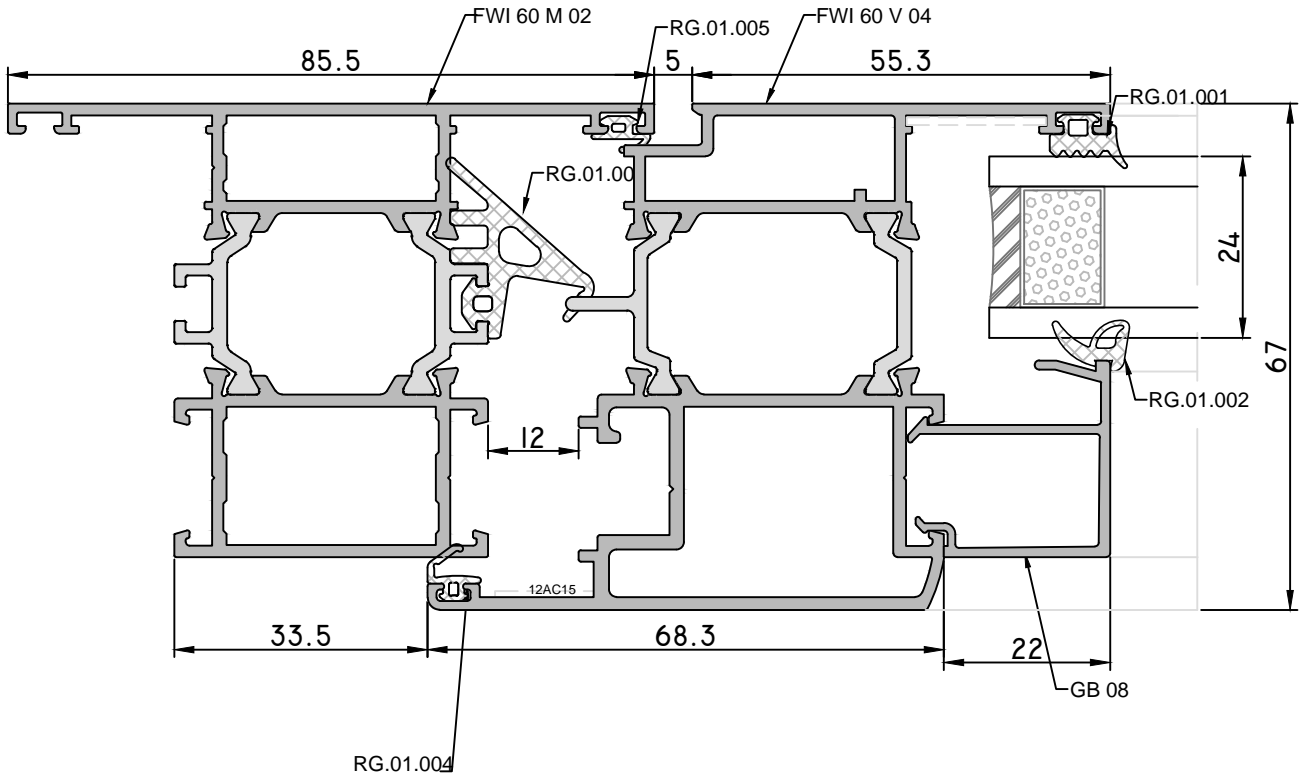


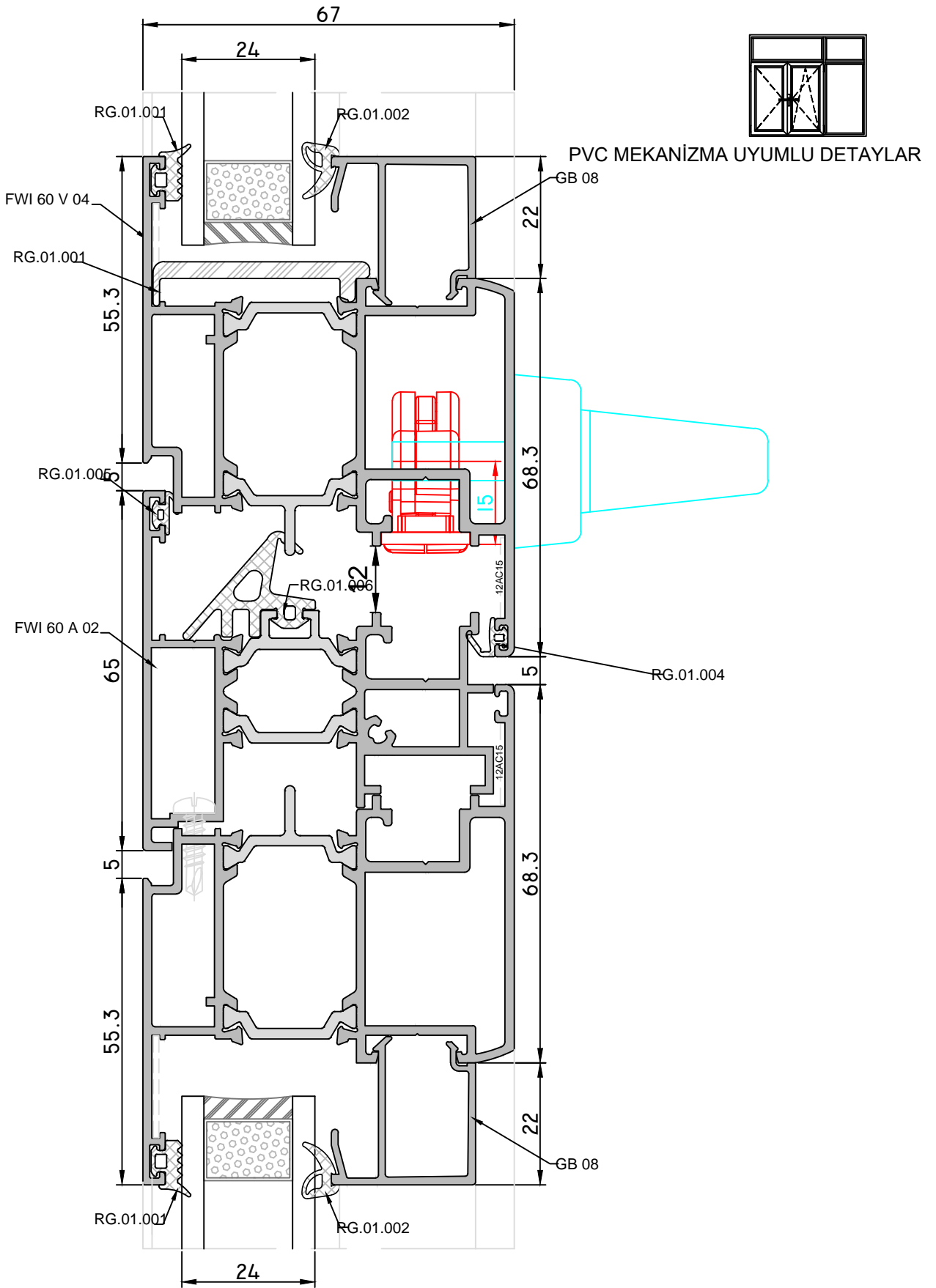
FWI 60

seral®



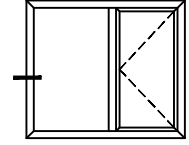
PVC MEKANİZMA UYUMLU DETAYLAR



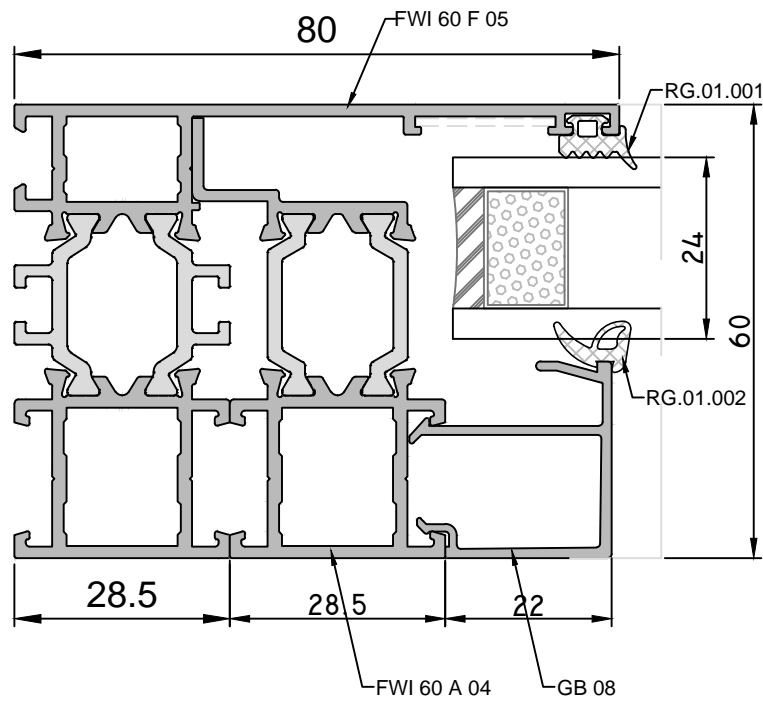


FWI 60

seral®

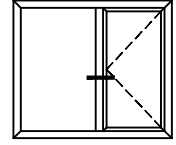


İÇE AÇILIR PENCERE
INWARD OPENING WINDOW

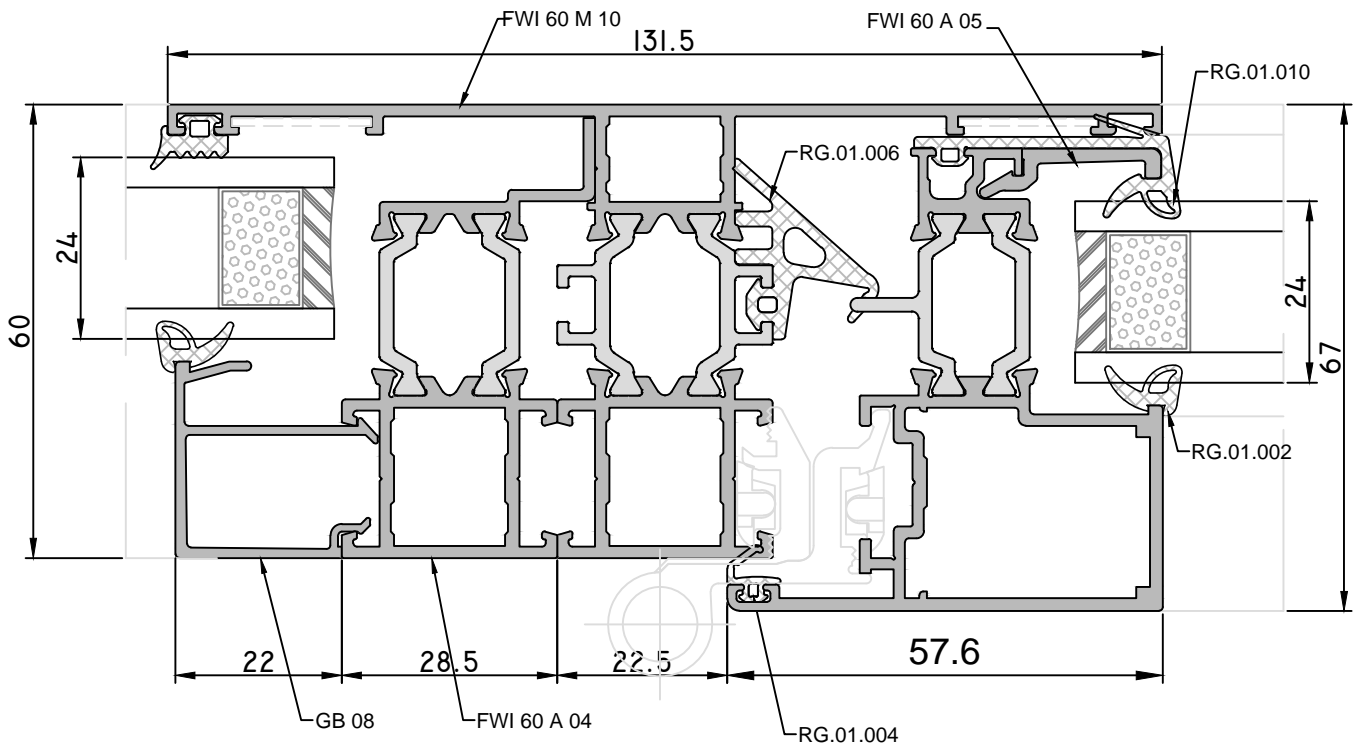


FWI 60

seral®

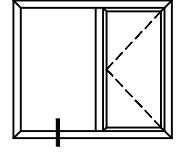


İÇE AÇILIR PENCERE
INWARD OPENING WINDOW

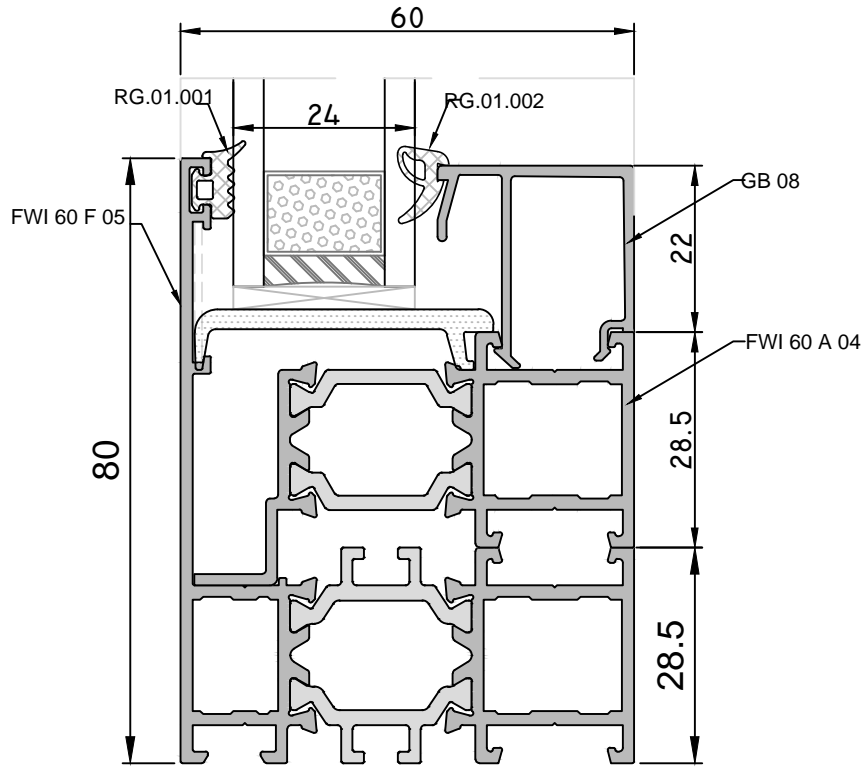


FWI 60

seral®

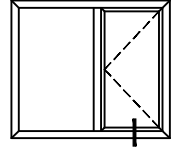


İÇE AÇILIR PENCERE
INWARD OPENING WINDOW

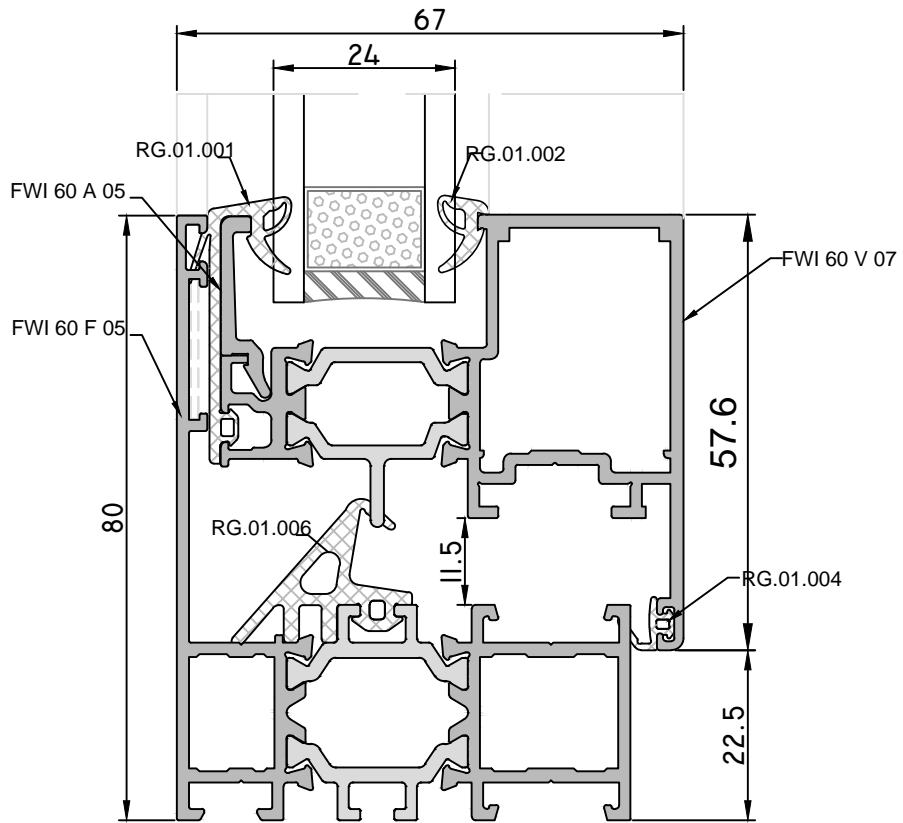


FWI 60

seral[®]

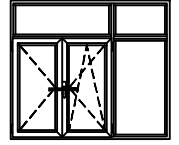


İÇE AÇILIR PENCERE
INWARD OPENING WINDOW

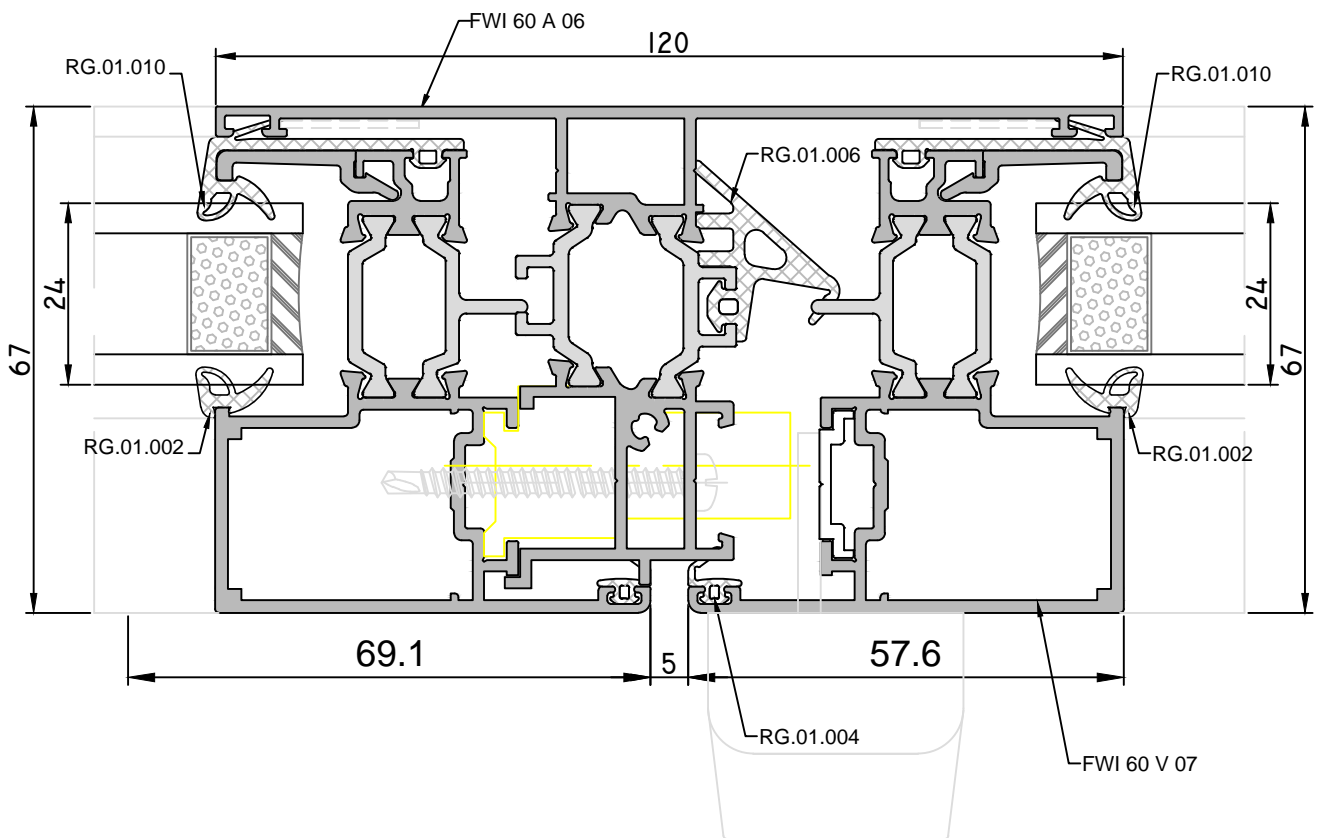


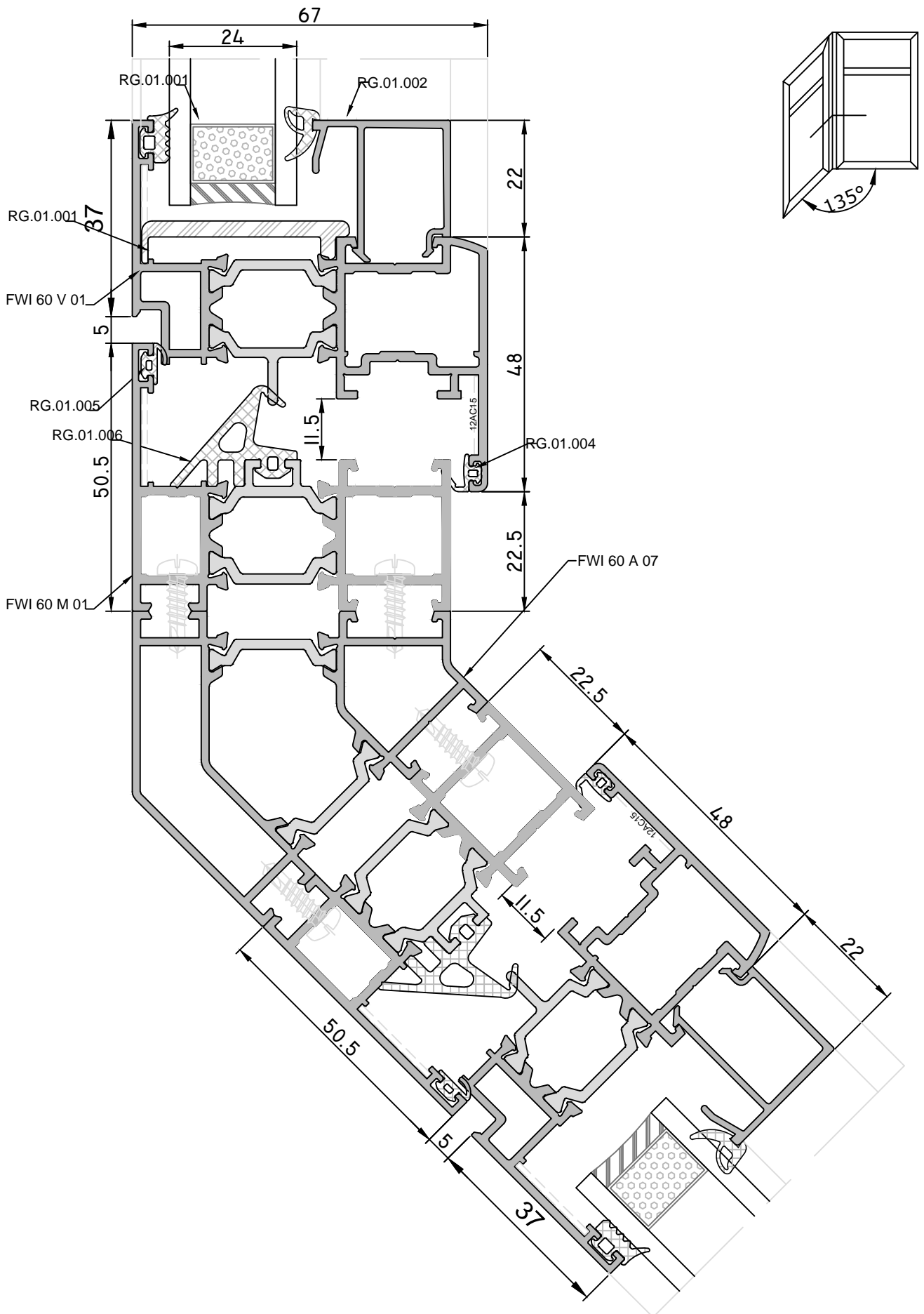
FWI 60

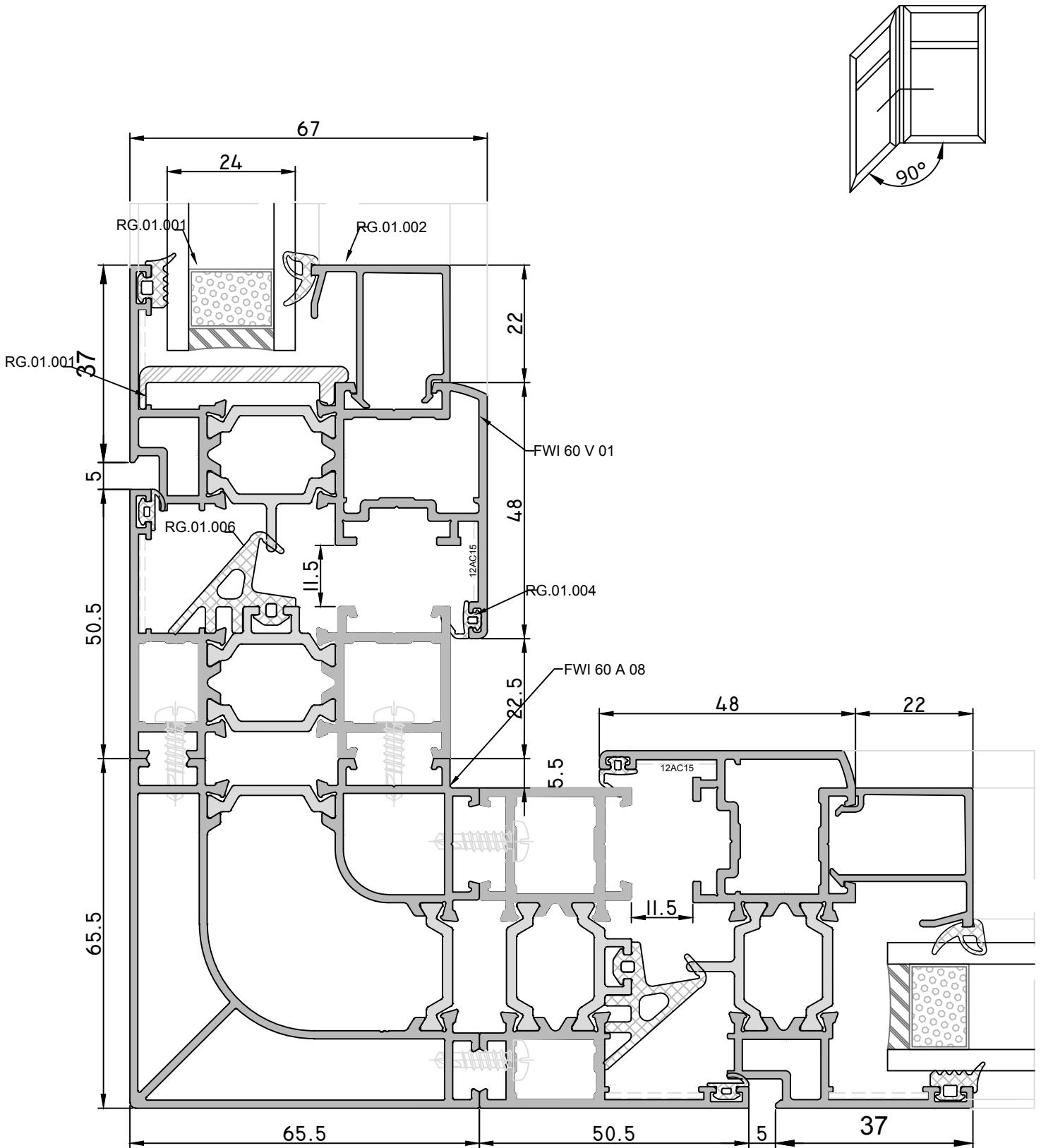
seral[®]

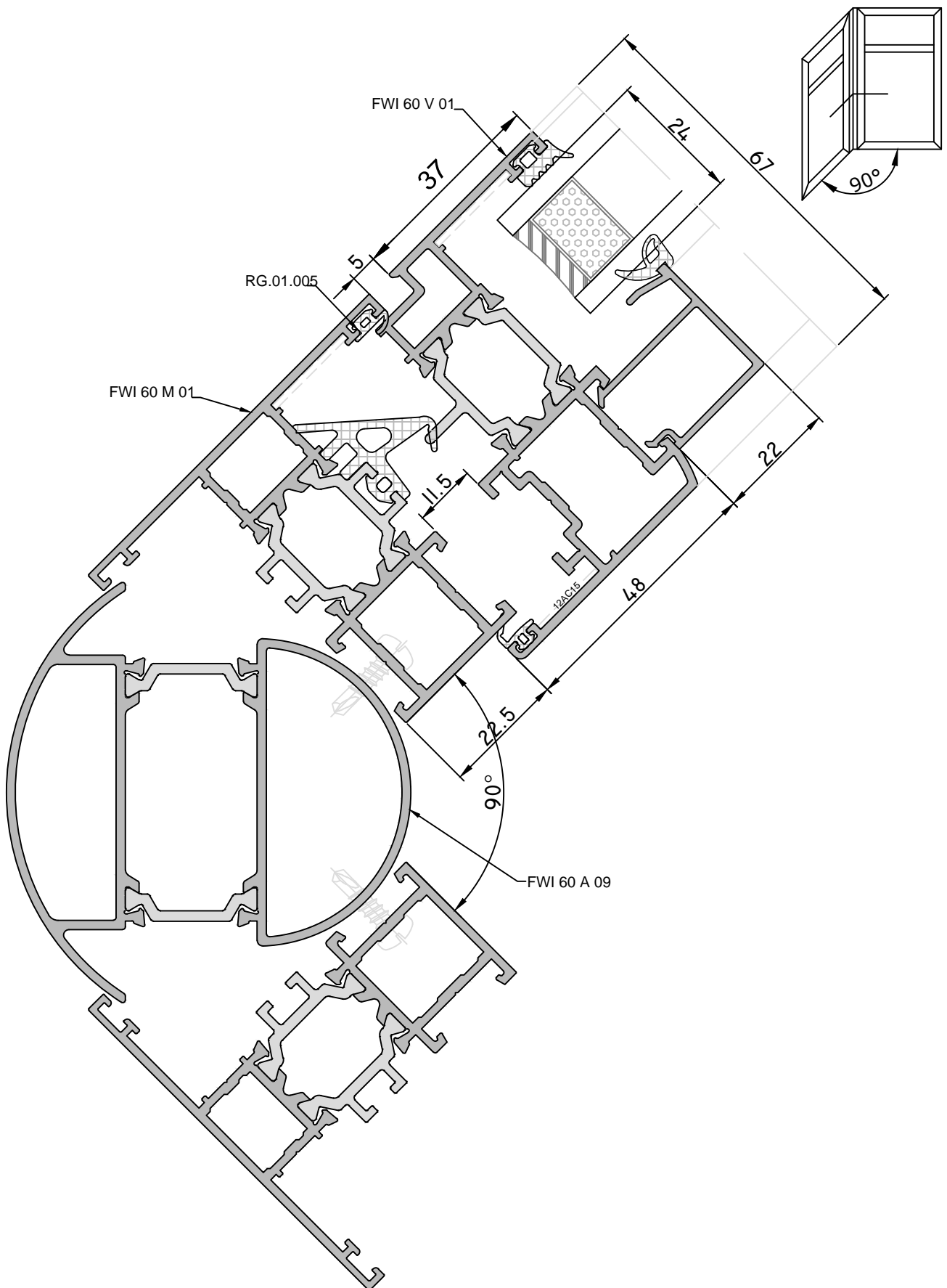


İÇE AÇILIR PENCERE
INWARD OPENING WINDOW



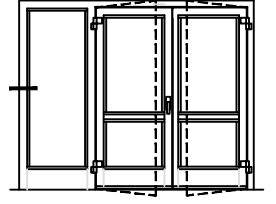




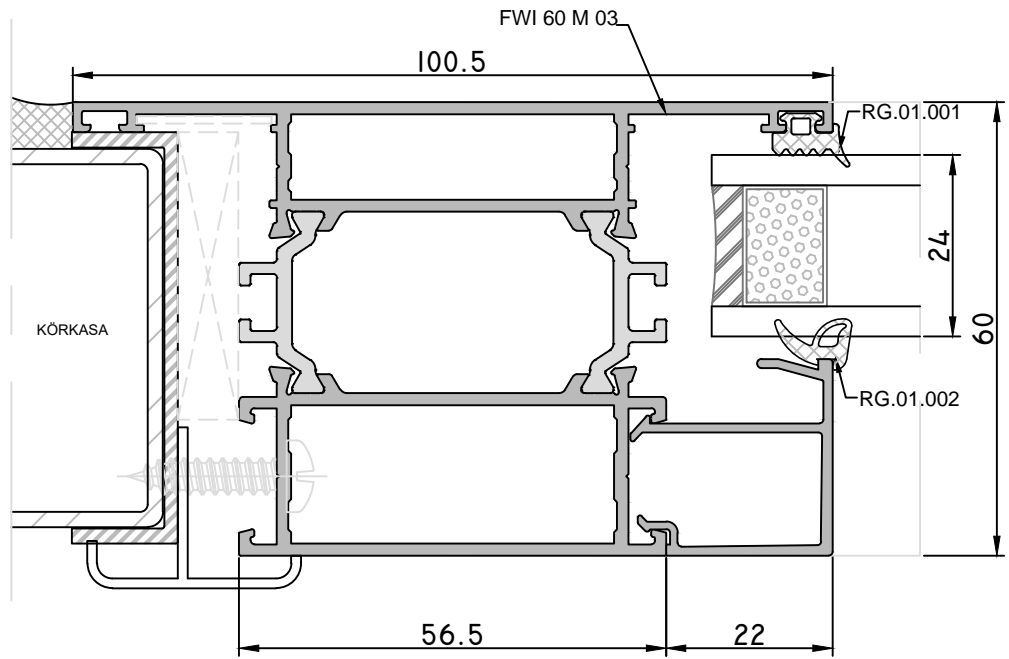


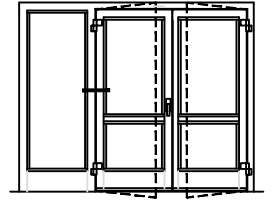
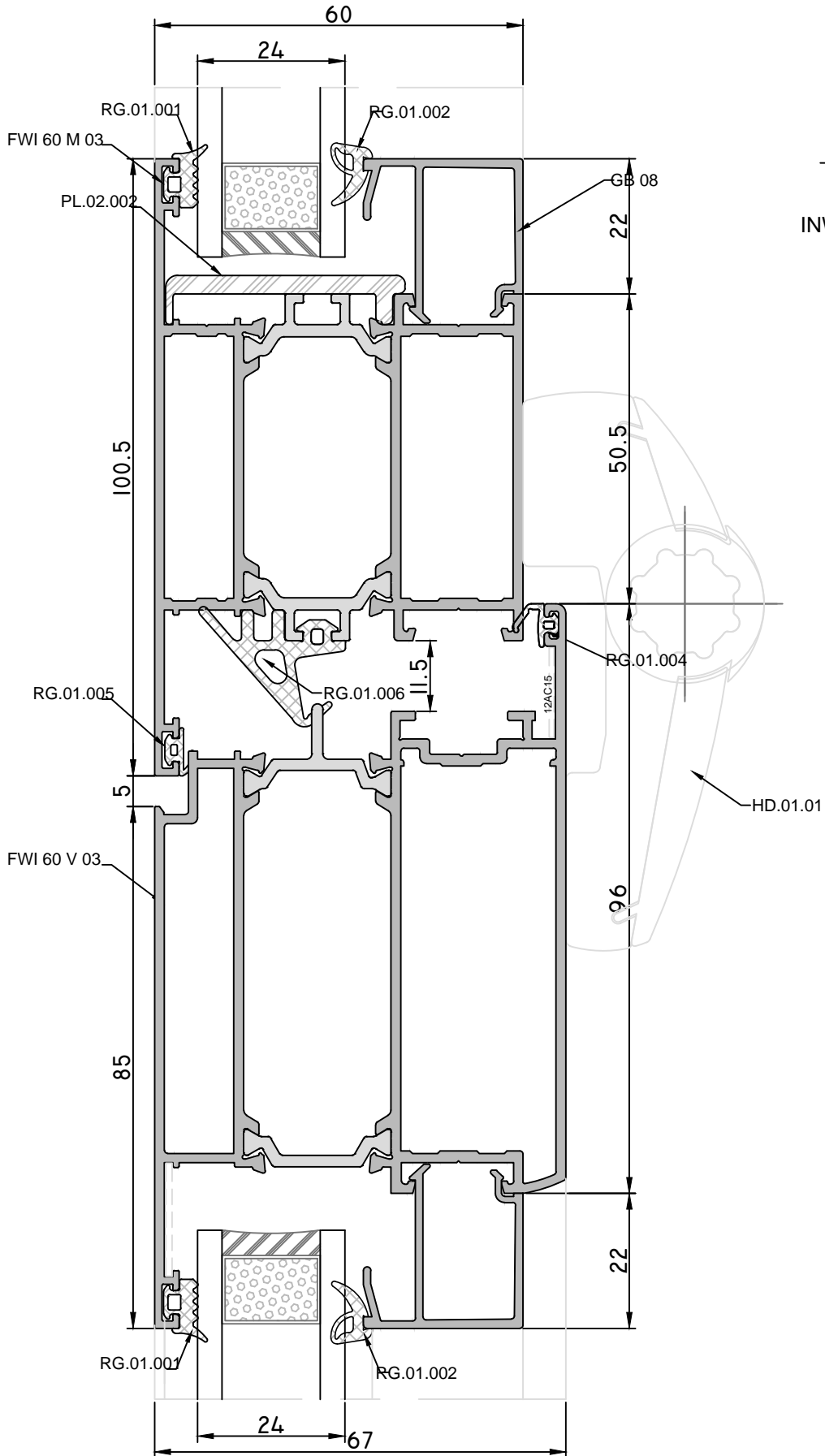
FWI 60

seral®



İÇE AÇILIR BİNLİ KAPI
INWARD OPENING DOOR WITH STEP HINGE

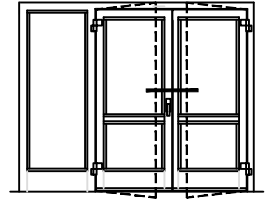
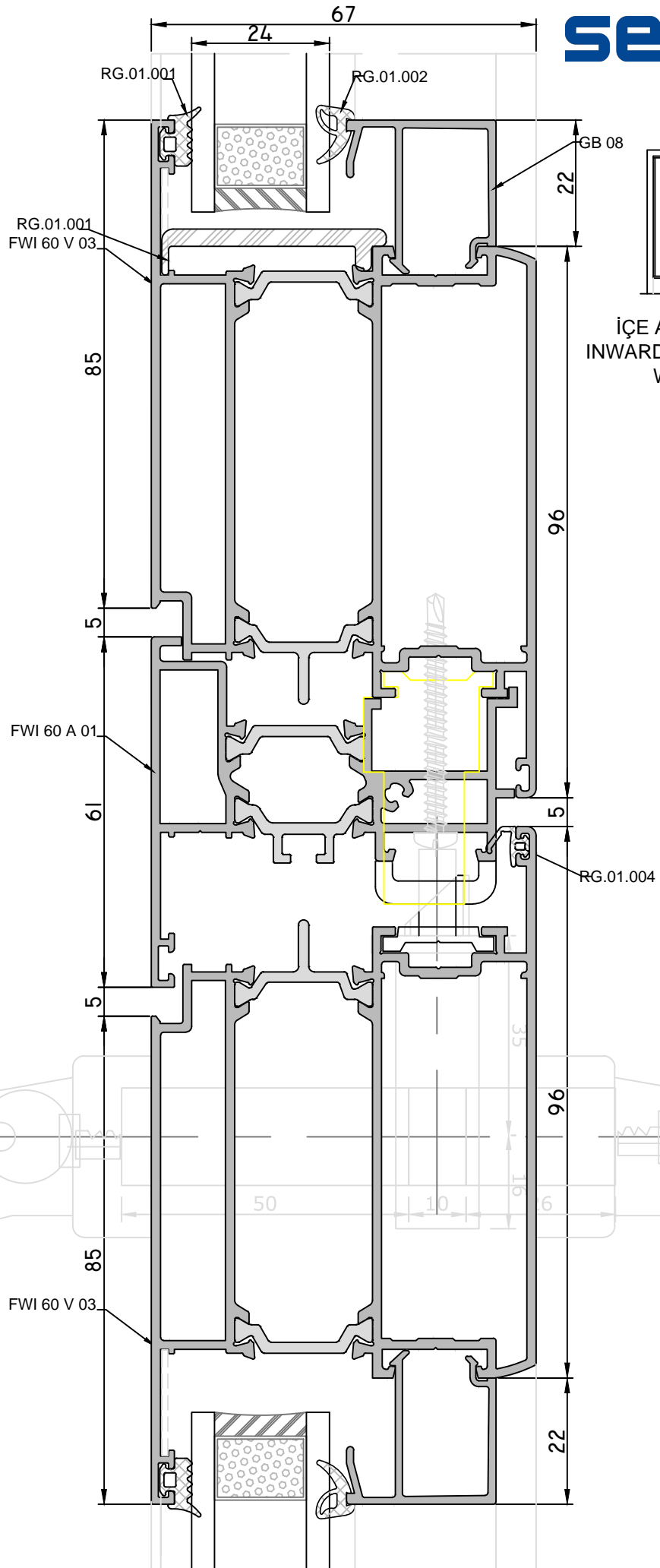




İÇE AÇILIR BİNLİ KAPI
INWARD OPENING DOOR
WITH STEP HINGE

FWI 60

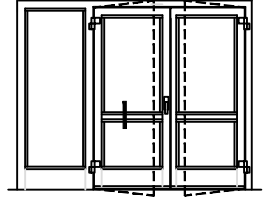
seral®



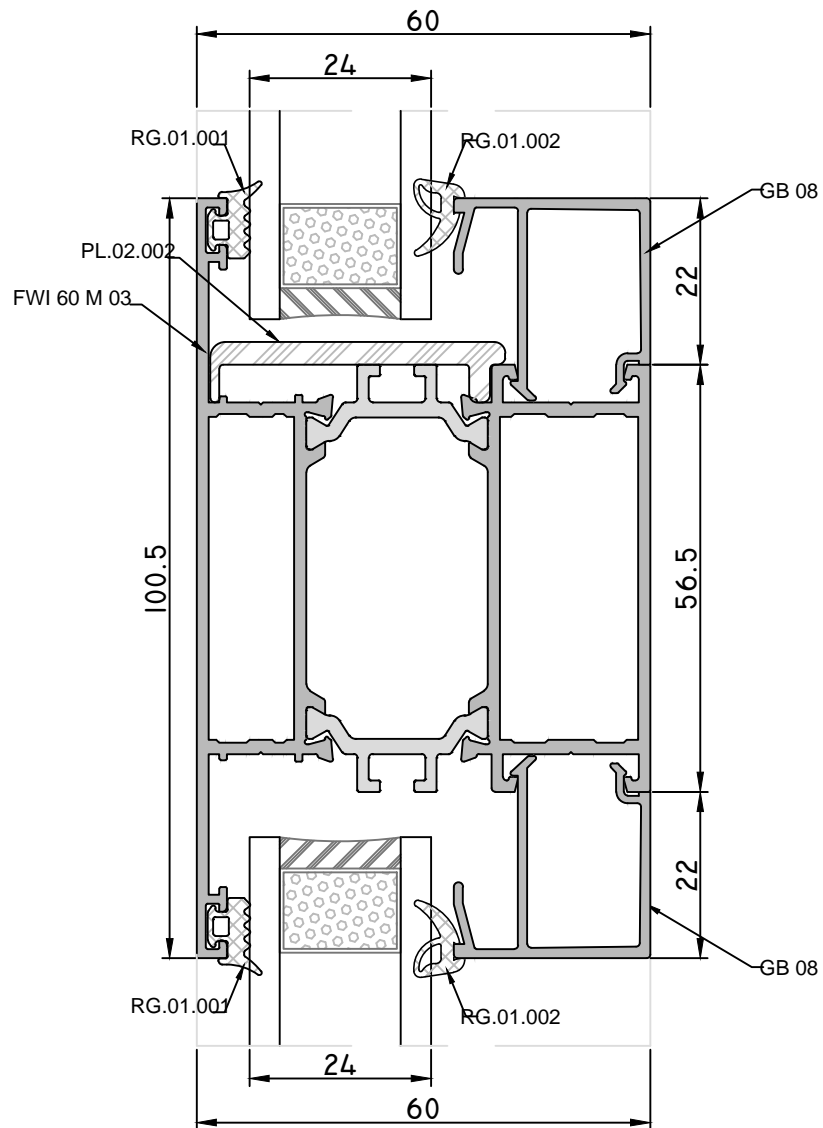
İÇE AÇILIR BİNLİ KAPI
INWARD OPENING DOOR
WITH STEP HINGE

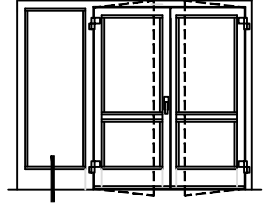
FWI 60

seral®

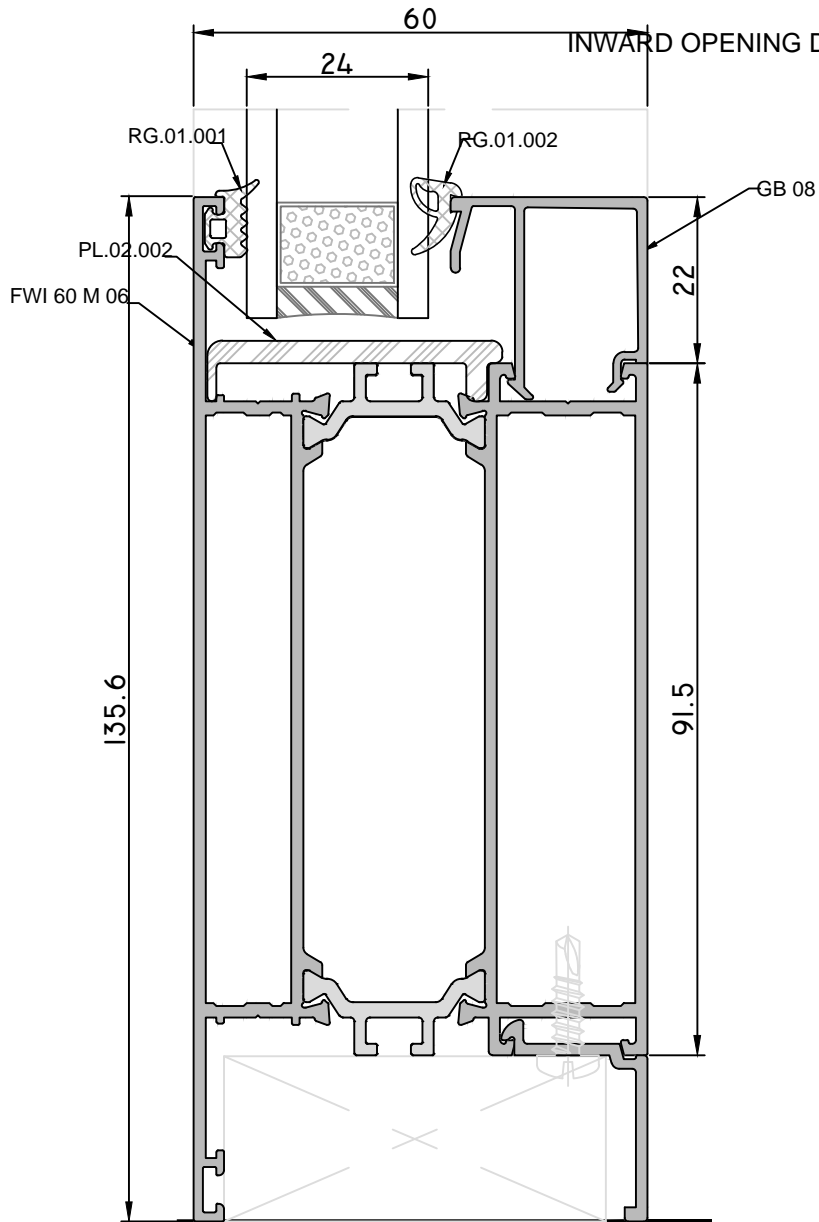


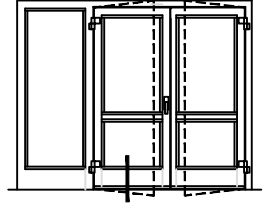
İÇE AÇILIR BİNLİ KAPI
INWARD OPENING DOOR WITH STEP HINGE



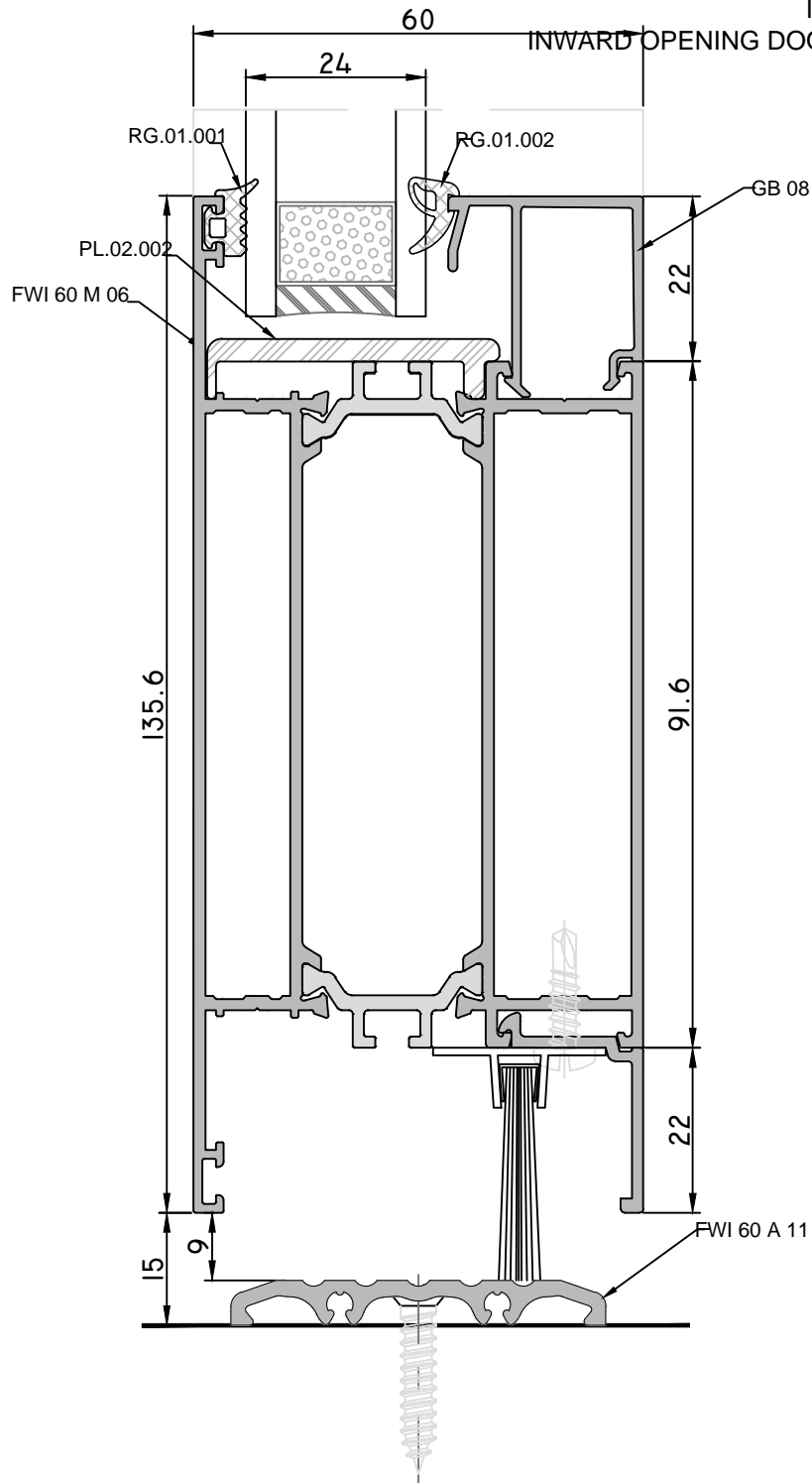


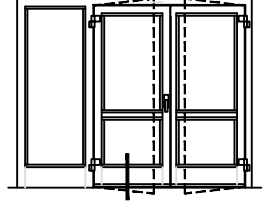
İÇE AÇILIR BİNLİ KAPI
INWARD OPENING DOOR WITH STEP HINGE



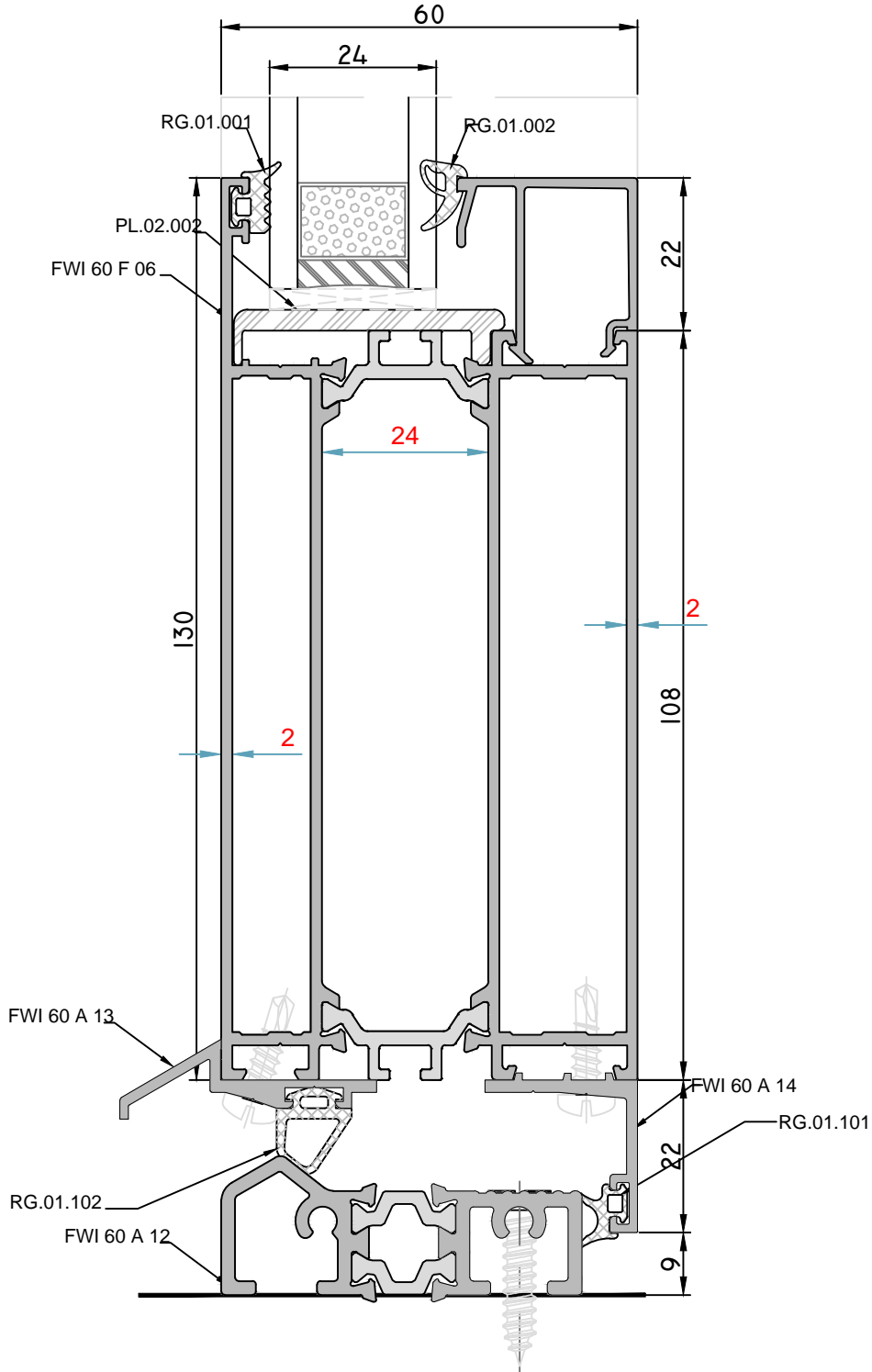


İÇE AÇILIR BİNLİ KAPI
INWARD OPENING DOOR WITH STEP HINGE



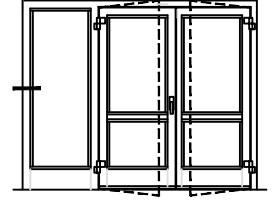


DIŞ GÖRÜNÜŞ
KAPI ETEK DETAYI
EŞİKLİ TİP

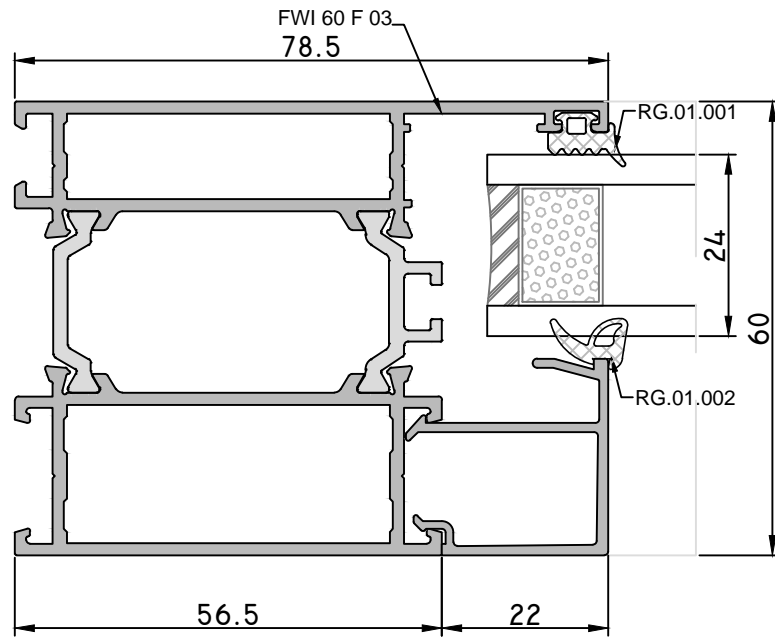


FWI 60

seral®

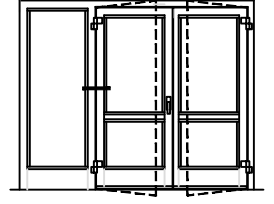
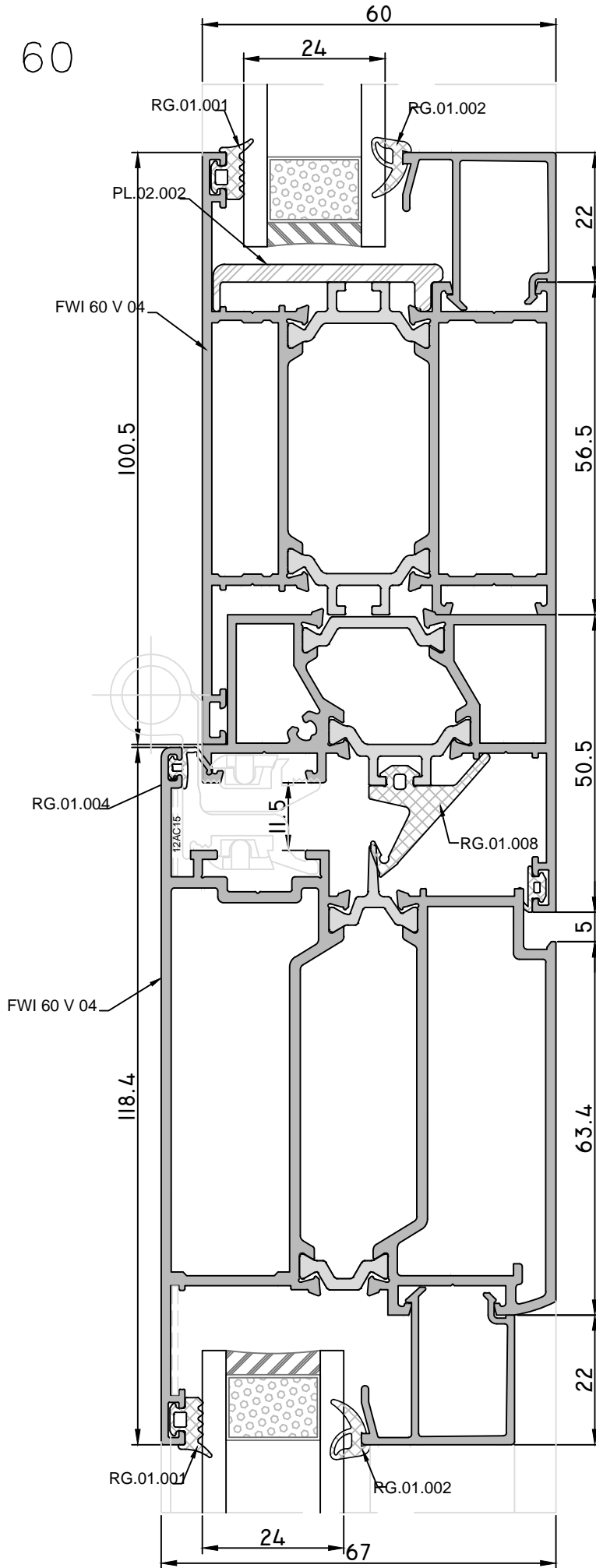


DIŐ GÖRÜNÜŐ
DIŐA AÇILIR KANATLAR
OUTSIDE VIEW
OUTSIDE OPENING VENTS



FWI 60

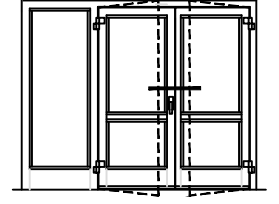
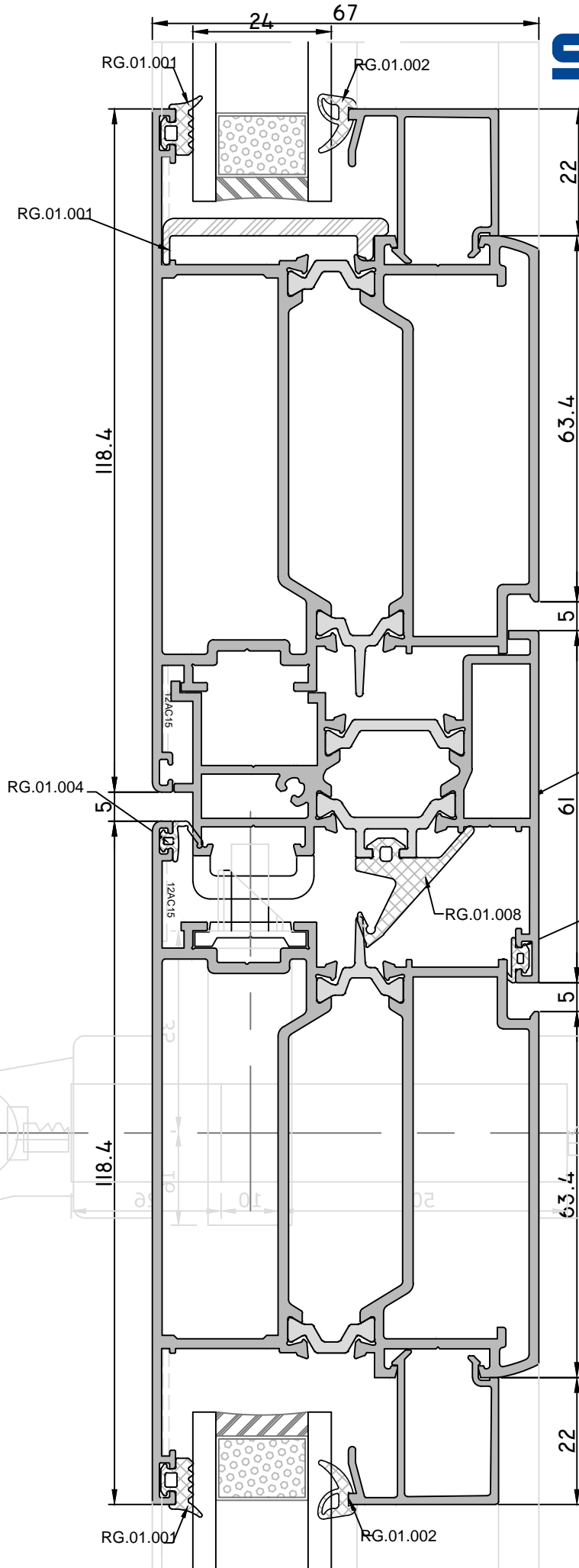
seral®



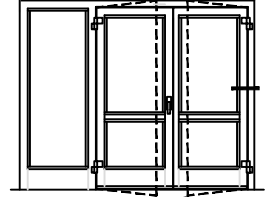
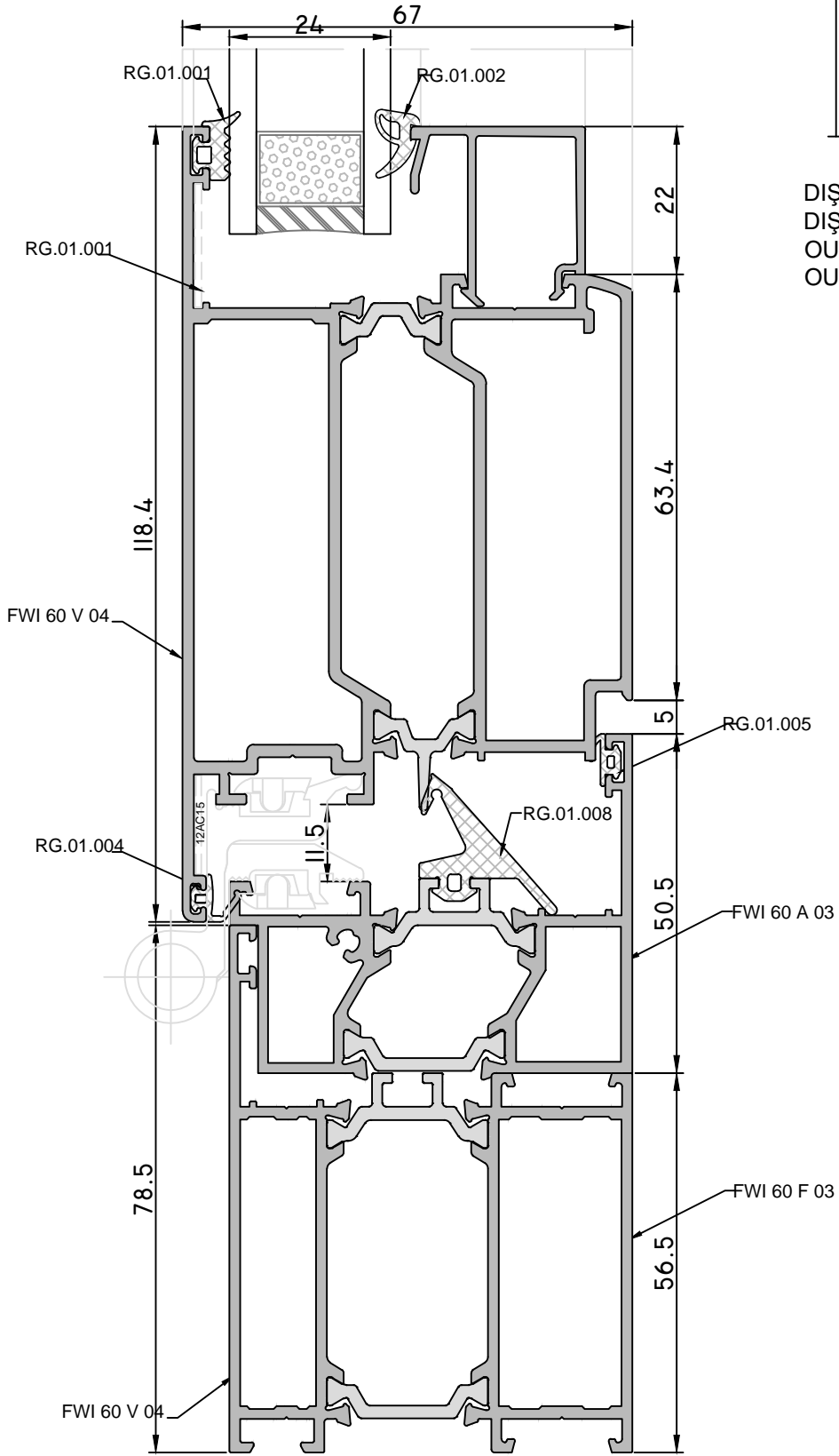
DIŞ GÖRÜNÜŞ
DIŞA AÇILIR KANATLAR
OUTSIDE VIEW
OUTSIDE OPENING VENTS

FWI 60

seral®



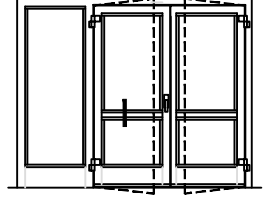
DIŞ GÖRÜNÜŞ
DIŞA AÇILIR KANATLAR
OUTSIDE VIEW
OUTSIDE OPENING VENTS



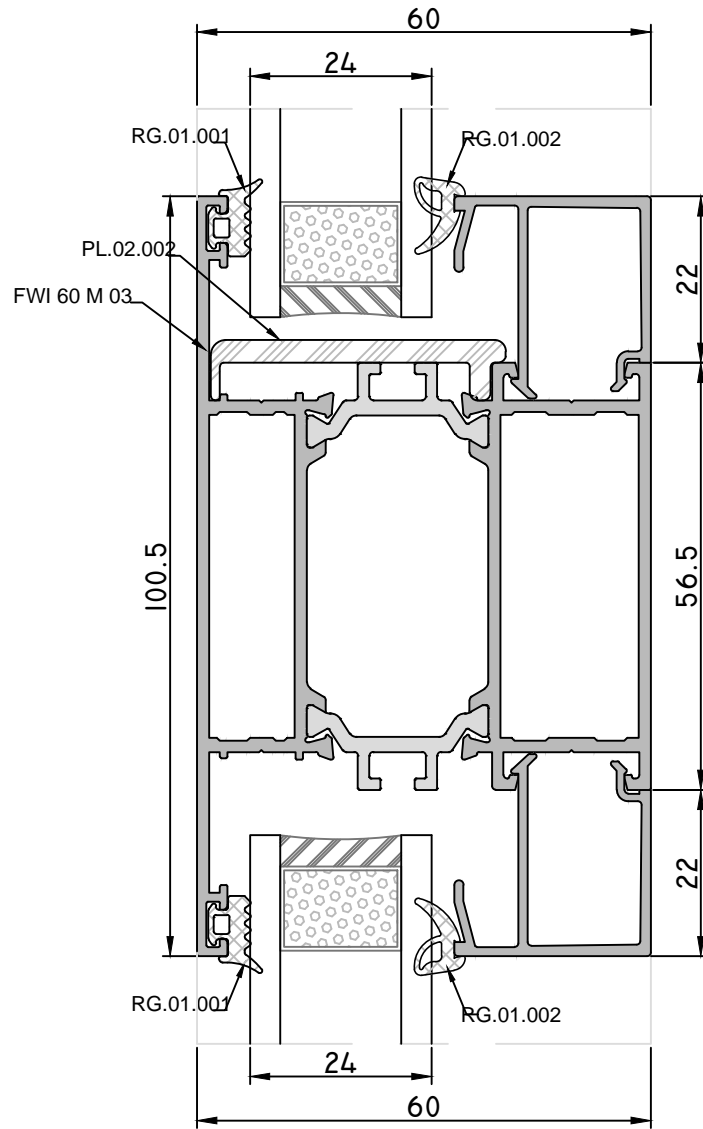
DIŞ GÖRÜNÜŞ
 DIŞA AÇILIR KANATLAR
 OUTSIDE VIEW
 OUTSIDE OPENING VENTS

FWI 60

seral®



DIŐ GÖRÜNÜŐ
DIŐA AÇILIR KANATLAR
OUTSIDE VIEW
OUTSIDE OPENING VENTS



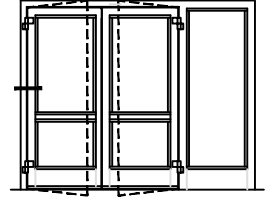
FWI 60

serai®

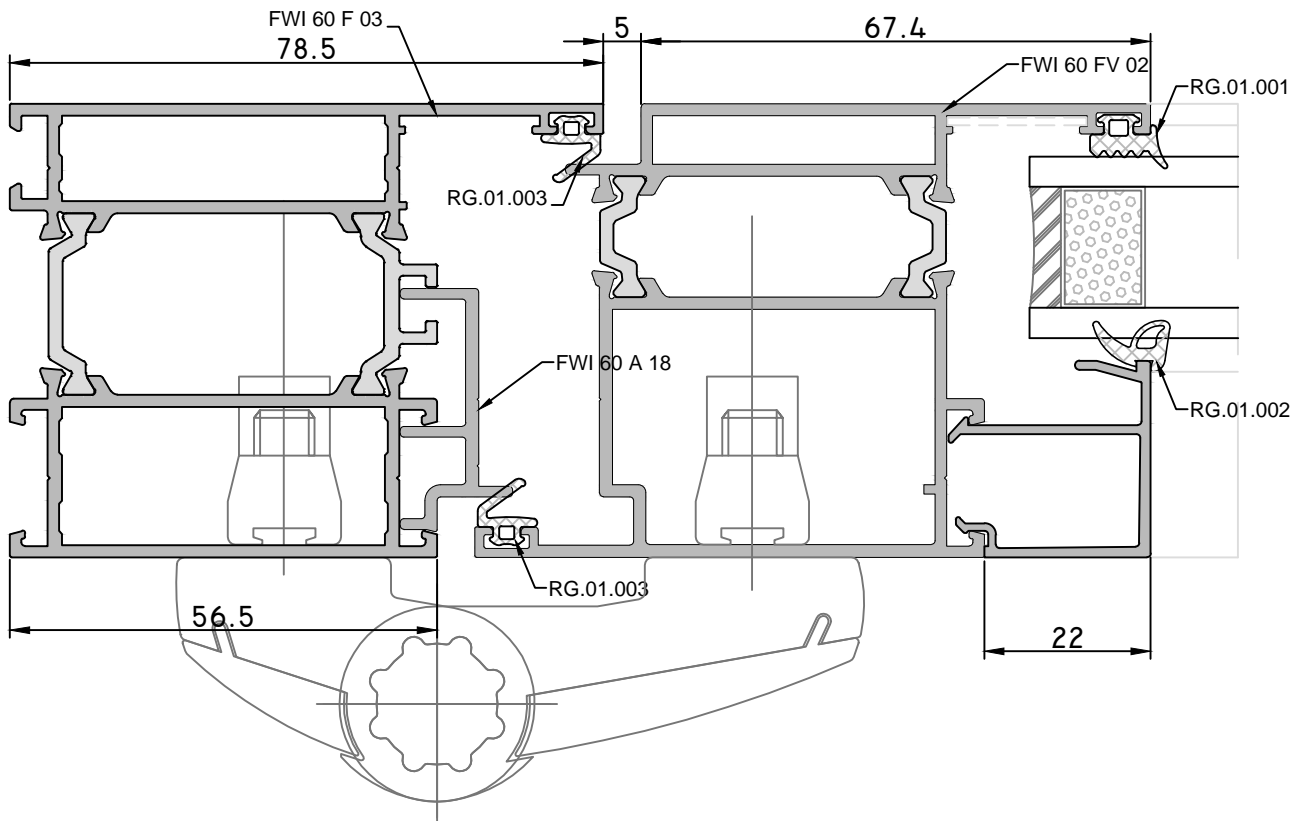
*HEMYÜZ KAPI
SİSTEM DETAYLARI /
SYSTEM DETAILS*

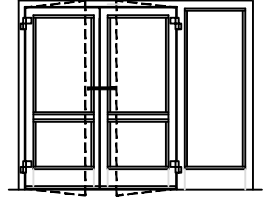
FWI 60

seral®

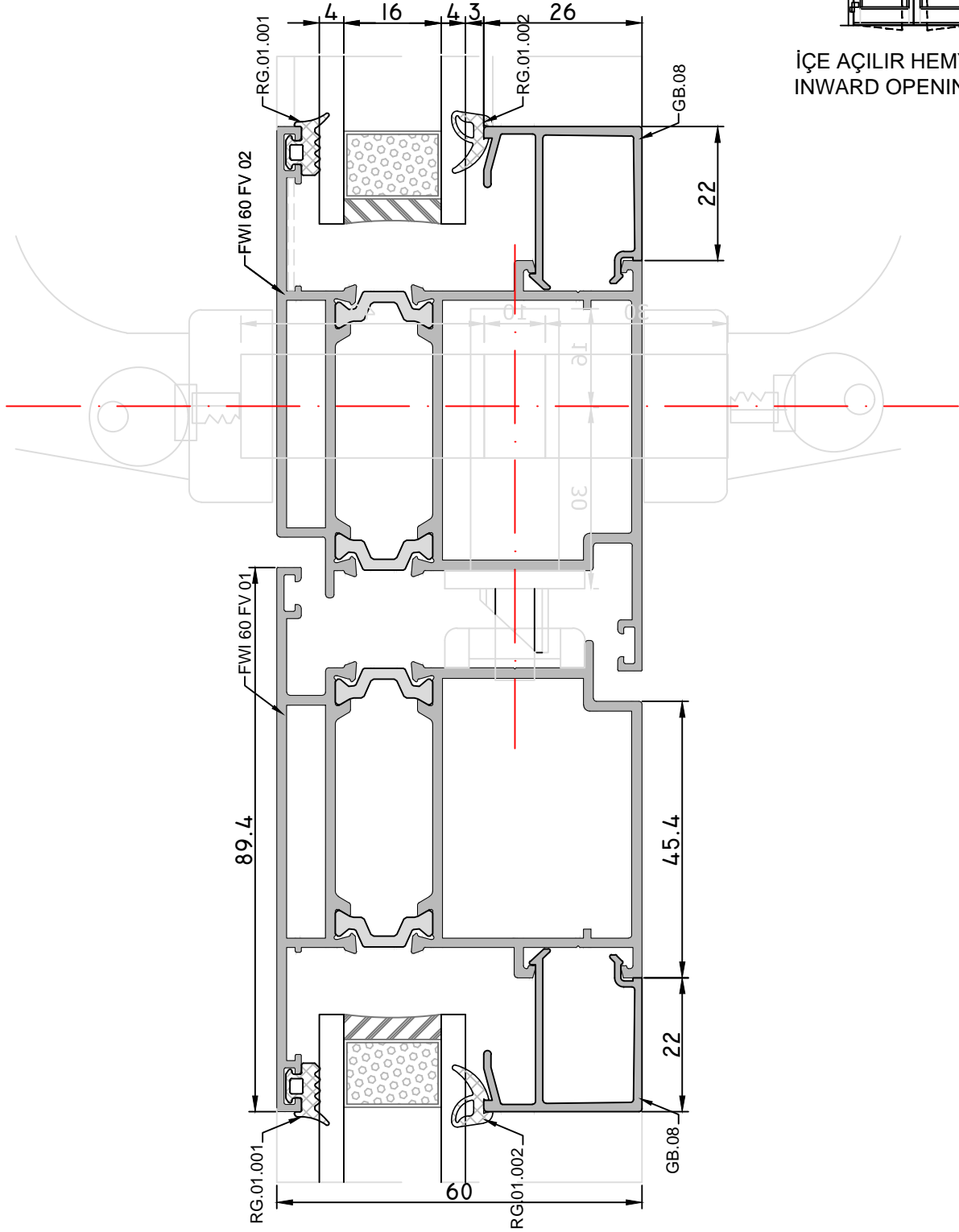


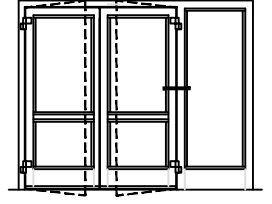
İÇE AÇILIR HEMYÜZ KAPI
INWARD OPENING DOOR



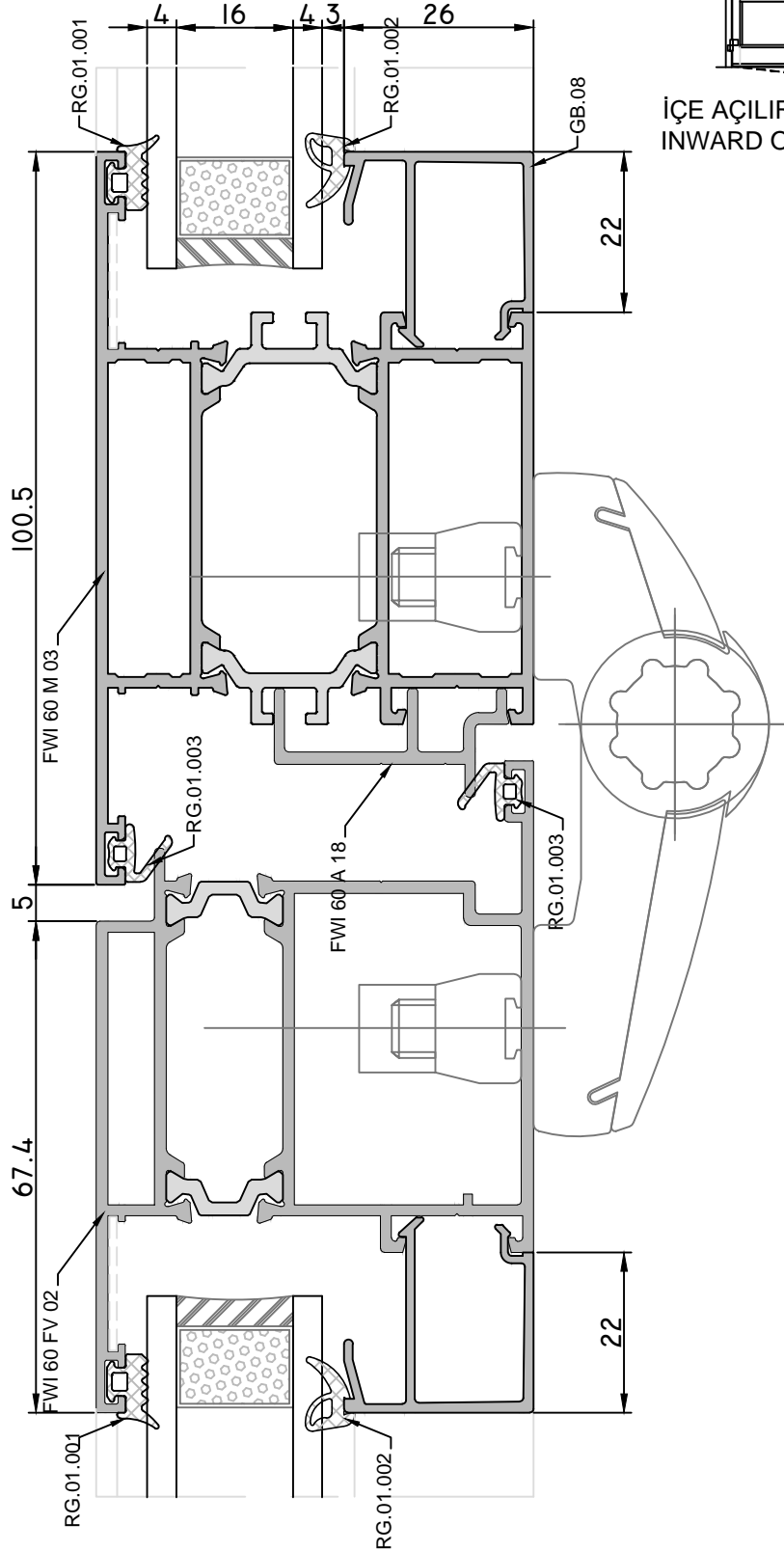


İÇE AÇILIR HEMYÜZ KAPI
INWARD OPENING DOOR



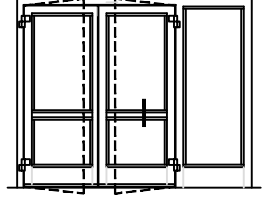


İÇE AÇILIR HEMYÜZ KAPI
INWARD OPENING DOOR

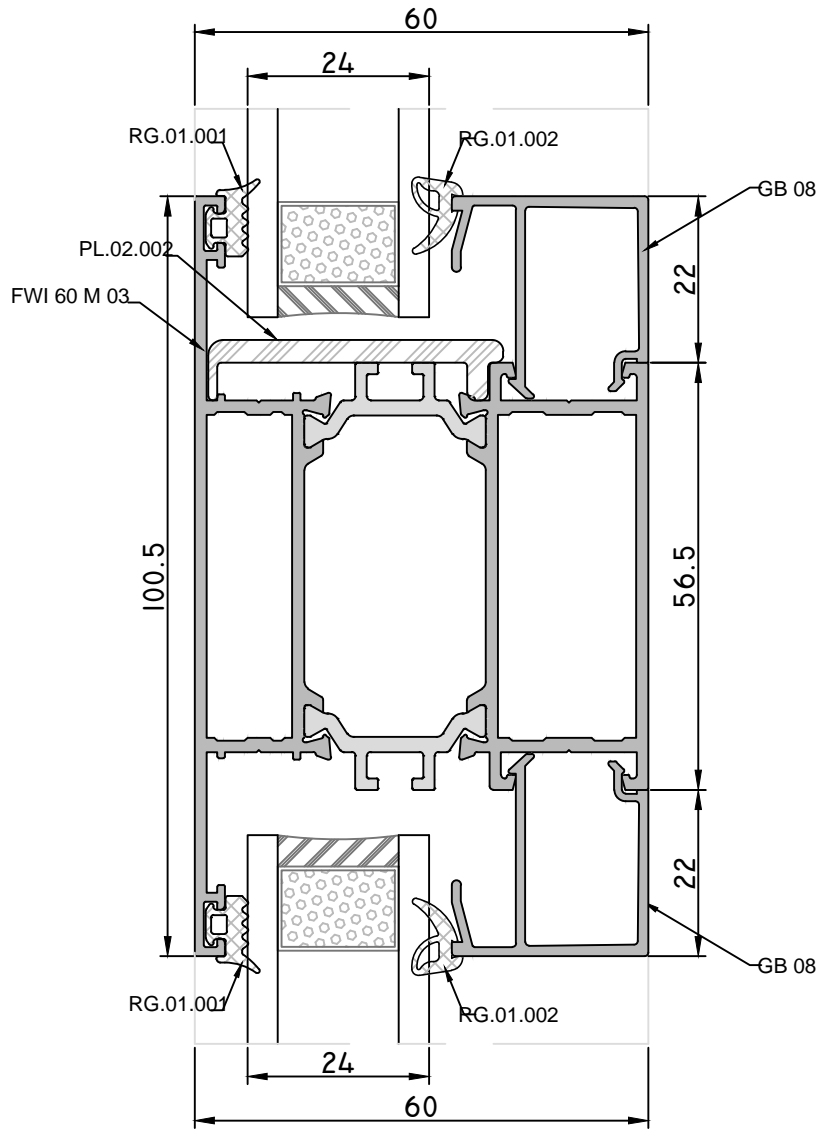


FWI 60

seral®

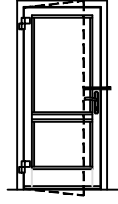


İÇE AÇILIR HEMYÜZ KAPI
INWARD OPENING DOOR

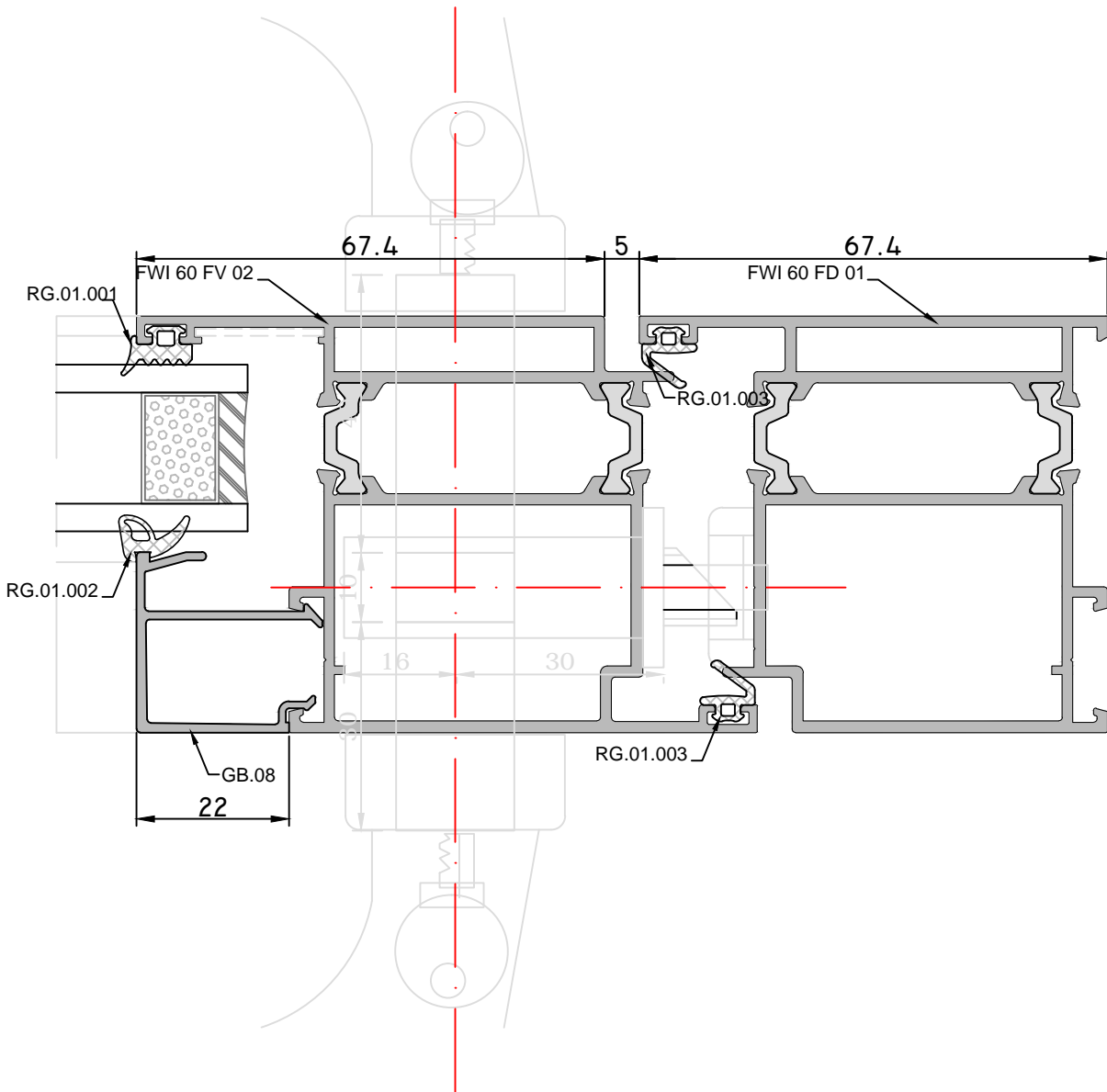


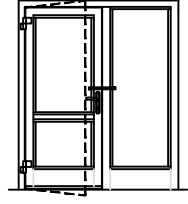
FWI 60

seral®

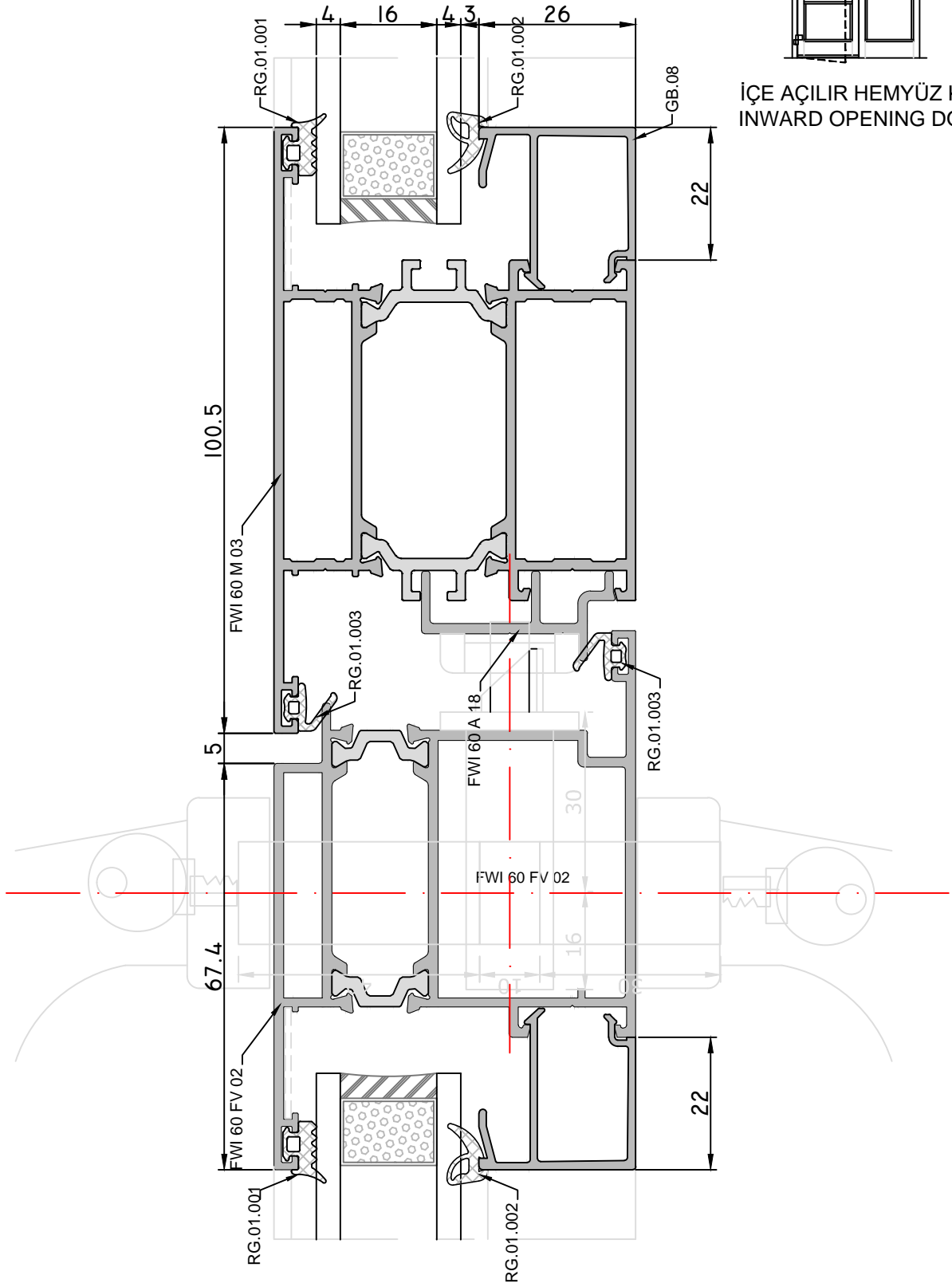


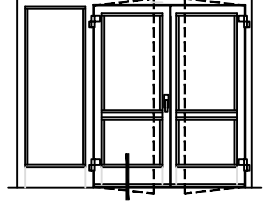
İÇE AÇILIR HEMYÜZ KAPI
INWARD OPENING DOOR



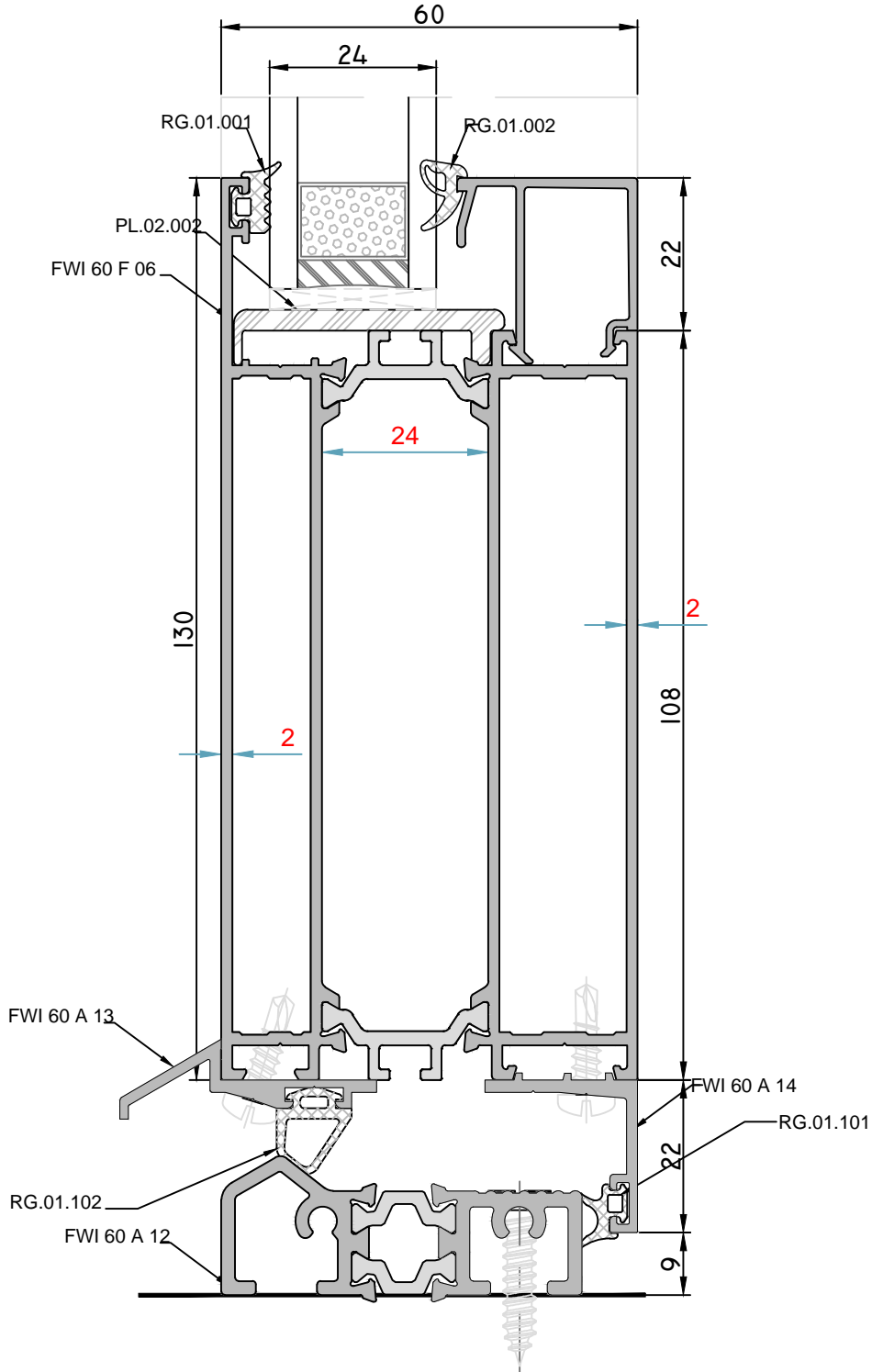


İÇE AÇILIR HEMYÜZ KAPI
INWARD OPENING DOOR



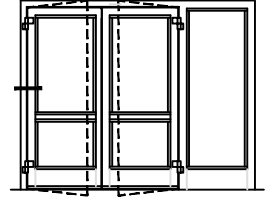


DIŞ GÖRÜNÜŞ
KAPI ETEK DETAYI
EŞİKLİ TİP

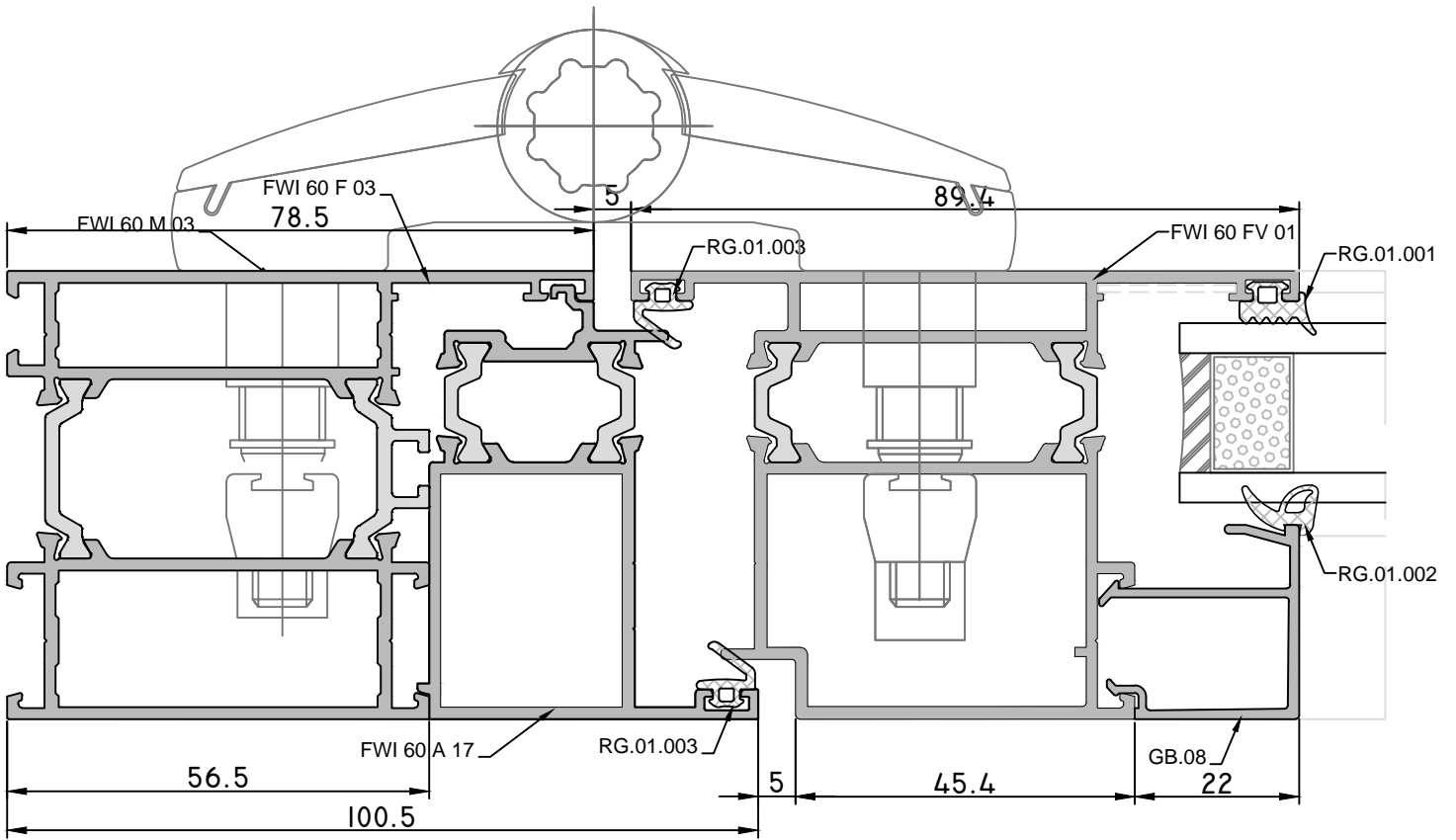


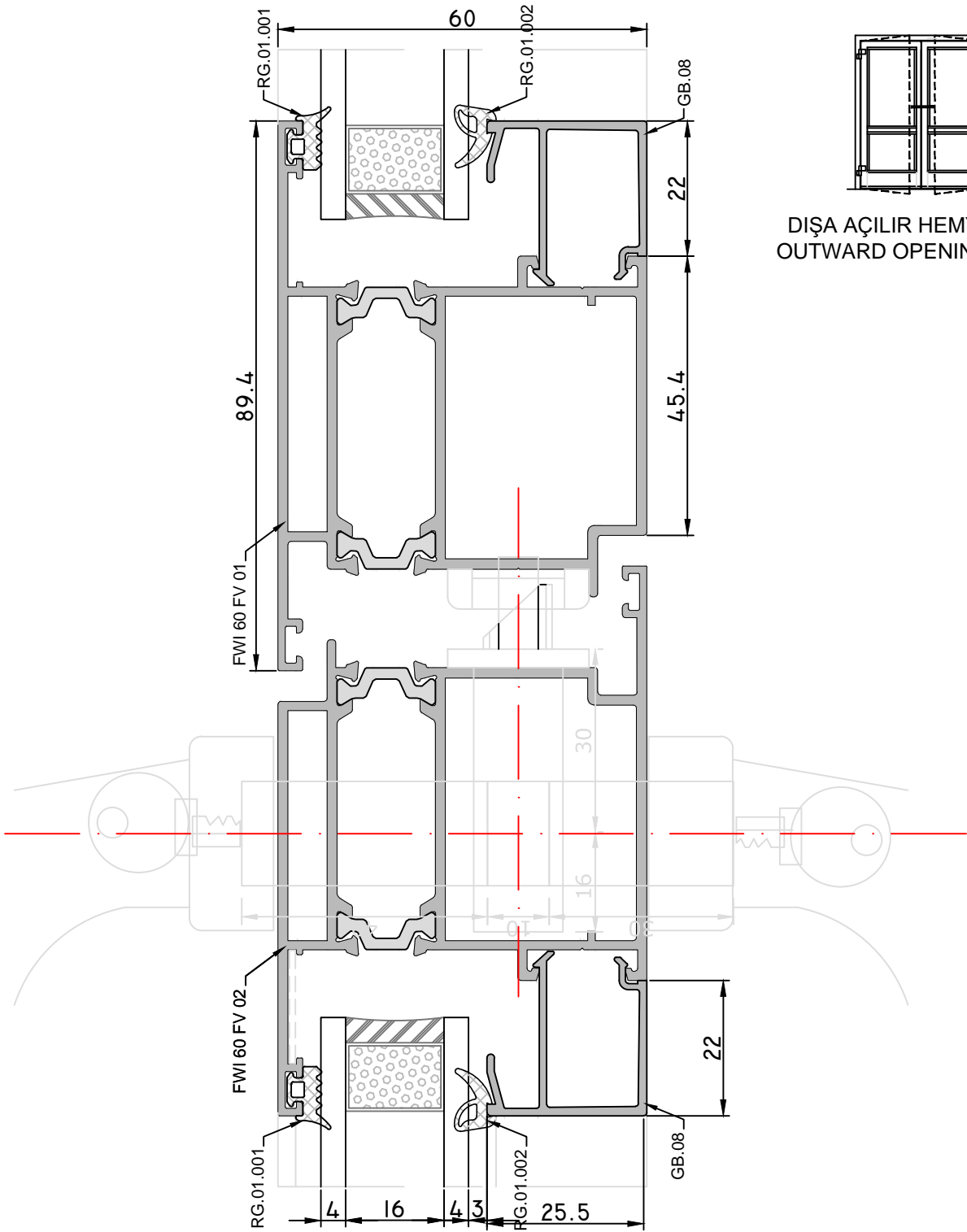
FWI 60

seral®

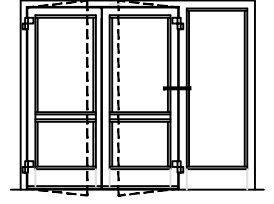
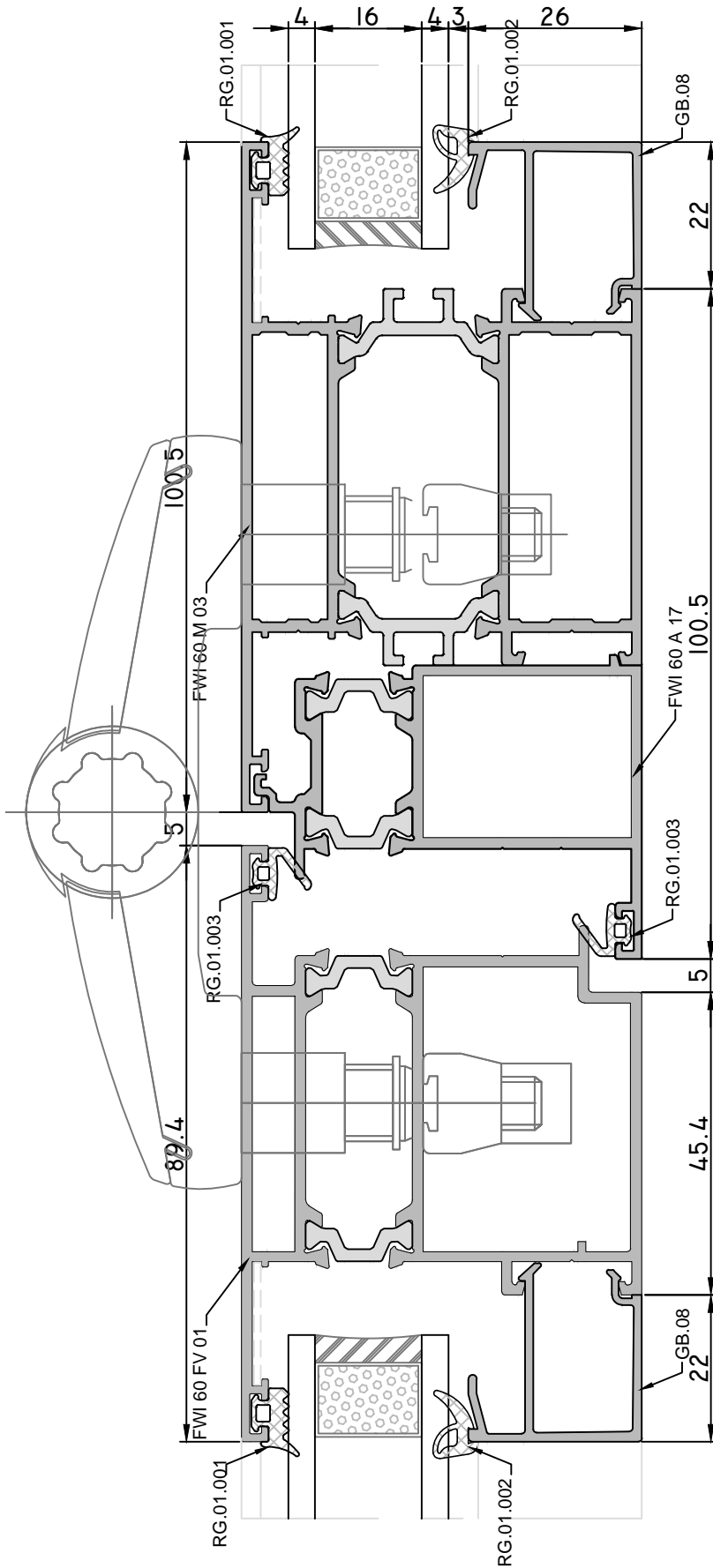


DIŞA AÇILIR HEMYÜZ KAPI
OUTWARD OPENING DOOR

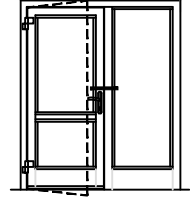
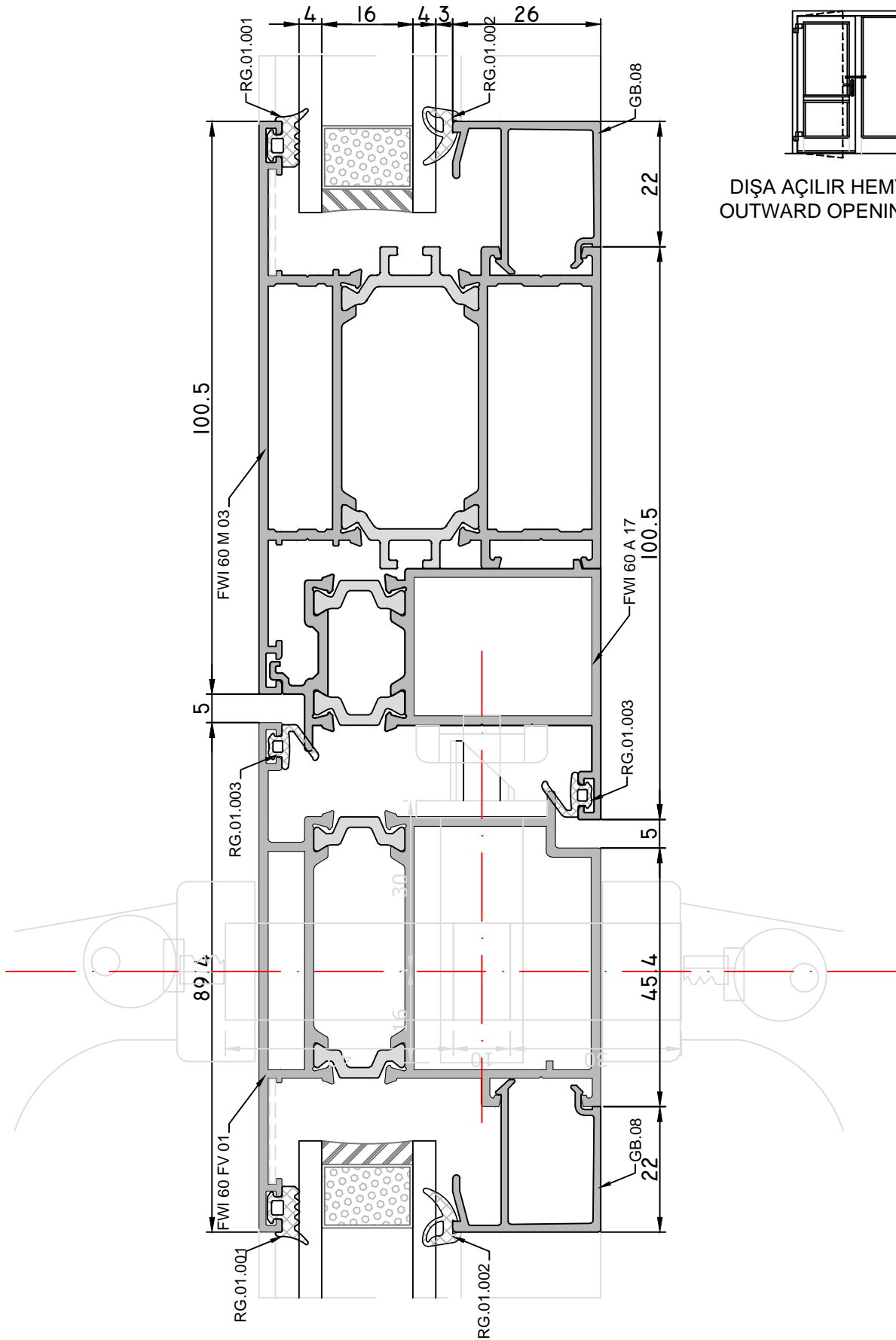




DIŞA AÇILIR HEMİYÜZ KAPI
OUTWARD OPENING DOOR



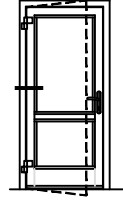
DIŞA AÇILIR HEMYÜZ KAPI
OUTWARD OPENING DOOR



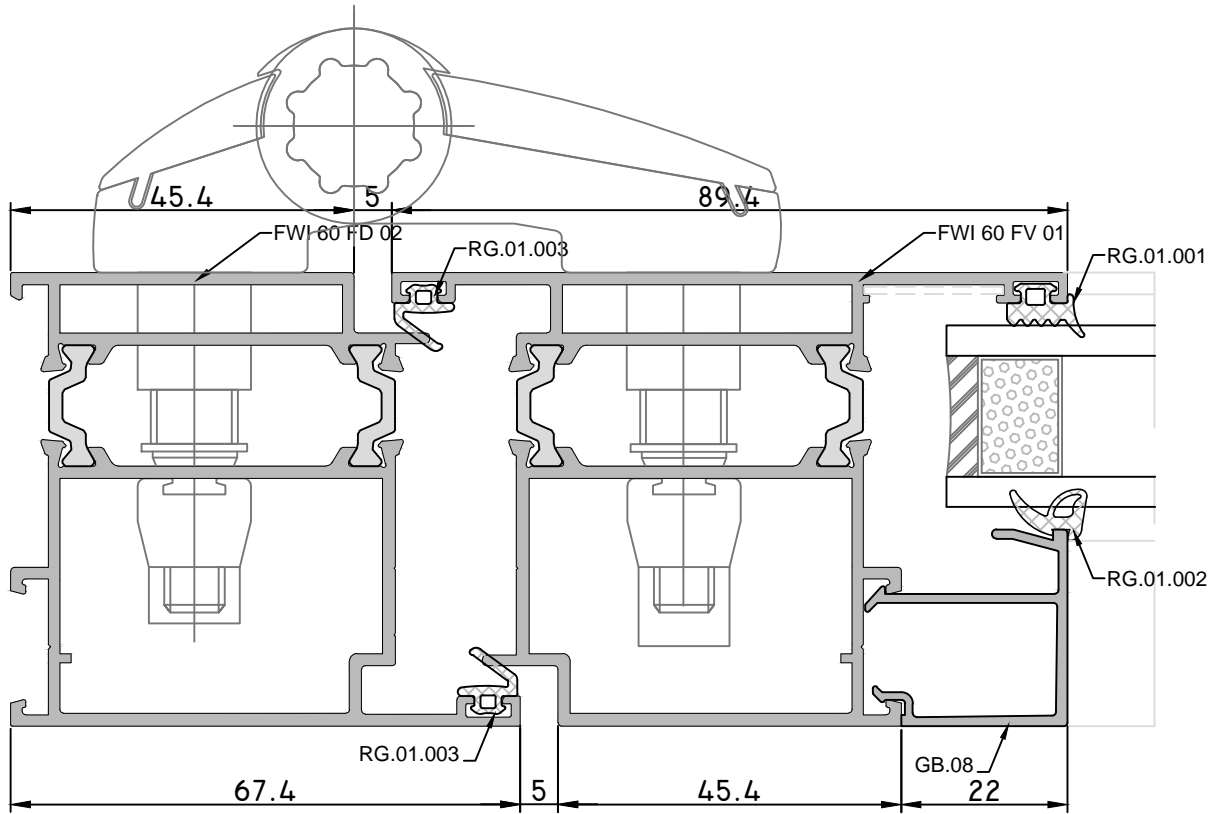
DIŞA AÇILIR HEMİYÜZ KAPI
OUTWARD OPENING DOOR

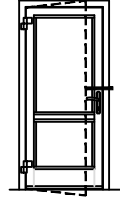
FWI 60

seral®

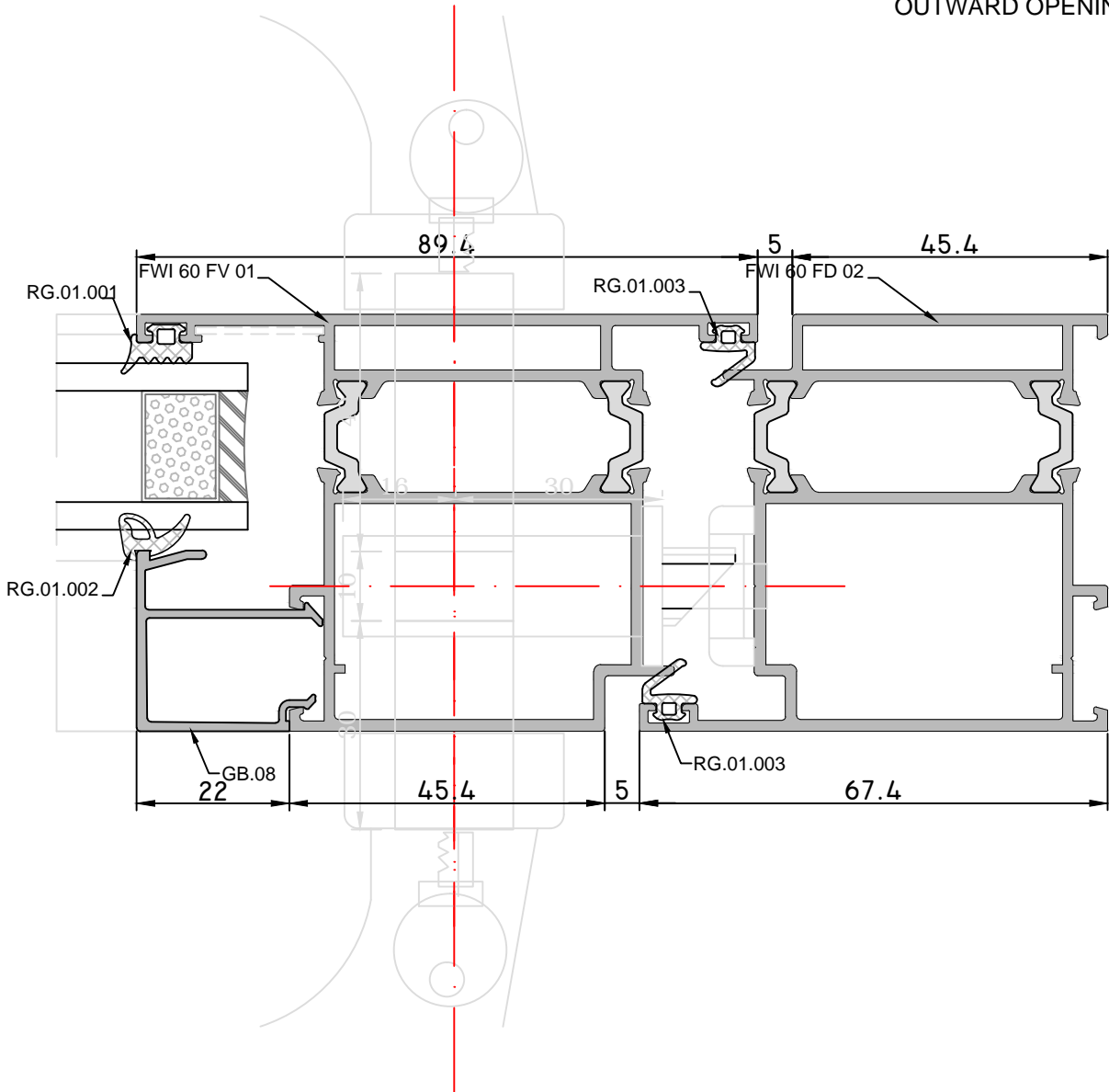


DIŐA AÇILIR HEMYÜZ KAPI
OUTWARD OPENING DOOR



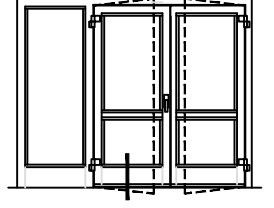


DIŐA AÇILIR HEMYÜZ KAPI
OUTWARD OPENING DOOR



FWI 60

seral®



DIŐA AÇILIR
KAPI ETEK DETAYI
EŐIKLİ TİP

