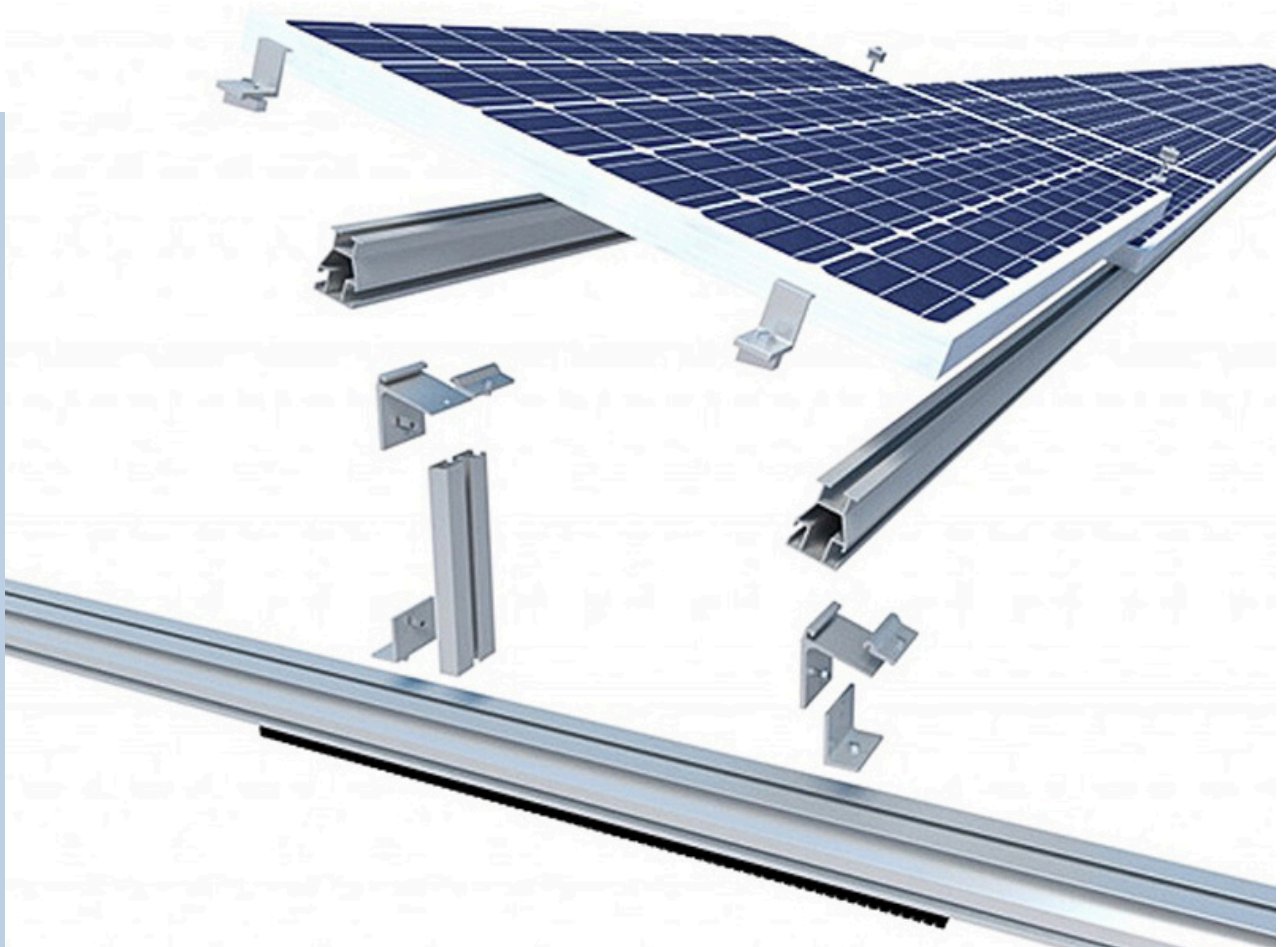




Solar Product Catalog

2024

Solar Mounting Systems



Products & Services

**Mounting
Rail Profiles**

Custom Fabrication

Clamps

Brackets

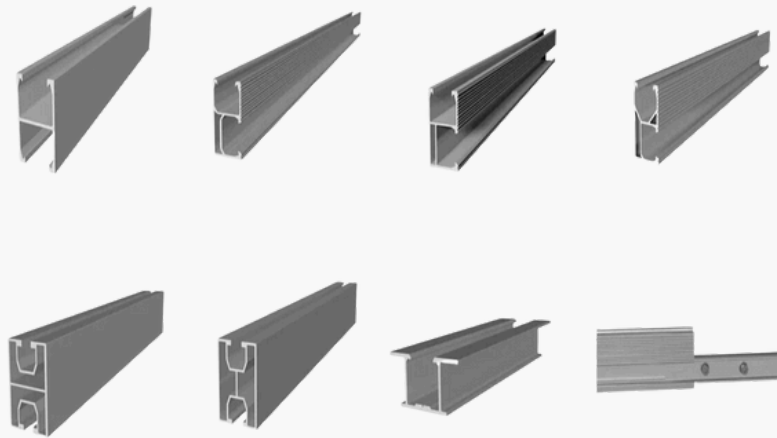
Hooks

Fasteners

At Seral we expertise to manufacture all type of custom solar mounting systems including railing systems or mounting components. Our production capabilities enable us to manufacture entire custom systems based on customer requirements and needs.



Railing System Profiles



Pitched Roof

Flat Roof

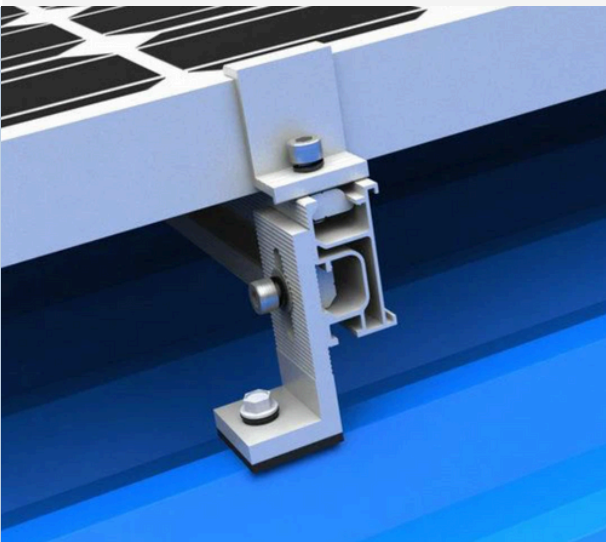


Mounting Parts



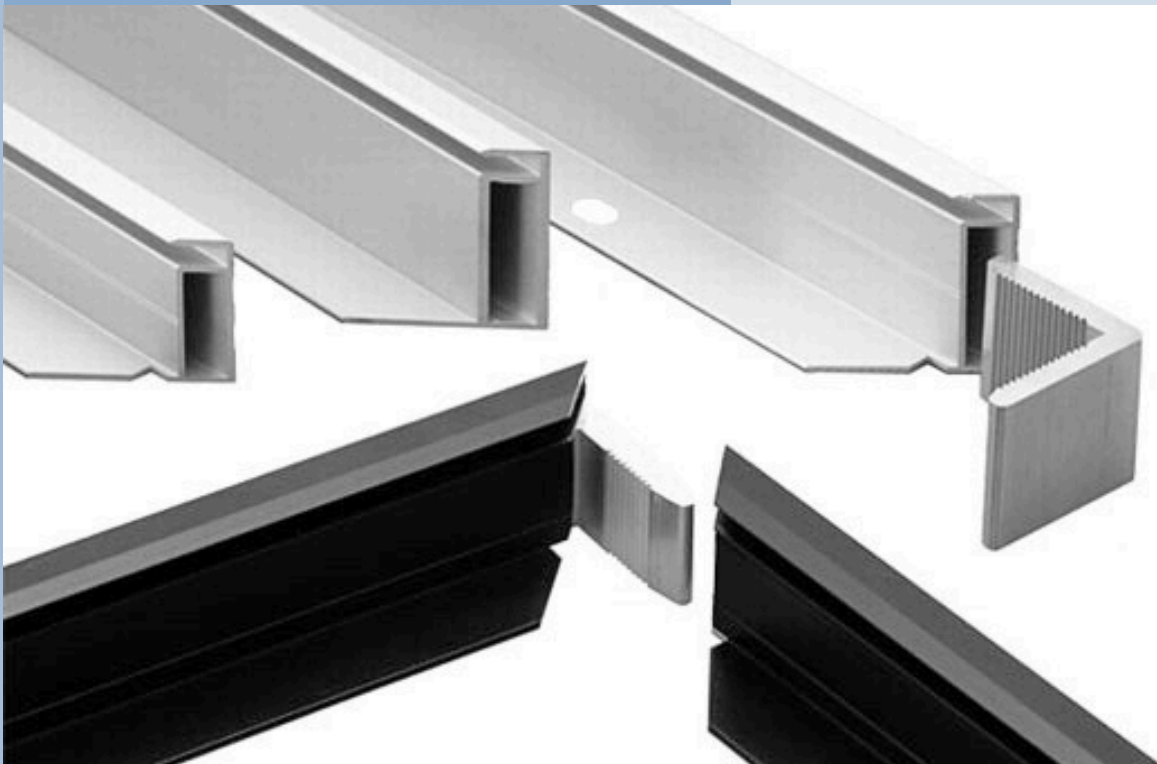
Brackets

Clamps



**Custom
Fabrication**

PV Module Frame Profiles



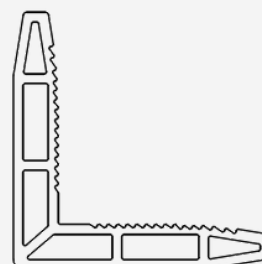
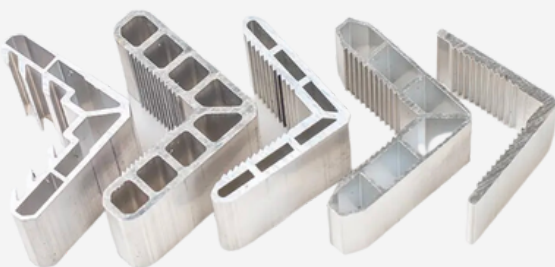
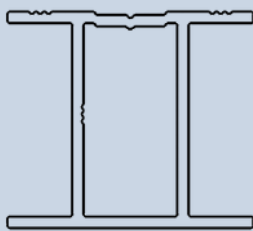
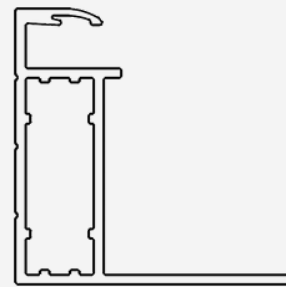
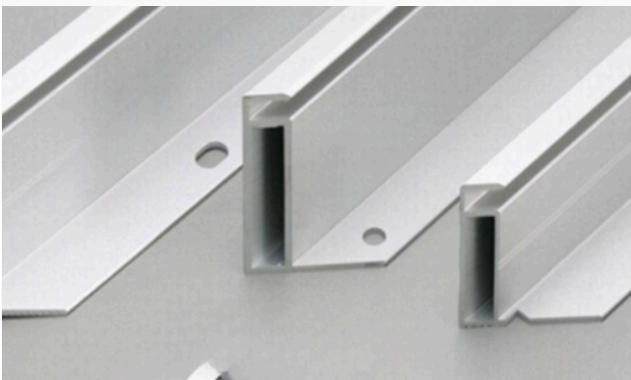
Products & Services

Frame Profiles

Mechanical Processing

Corner Keys

Custom Fabrication



Production Capabilities



Extrusion

Our extrusion lines can extrude with a wide range of aluminium profiles with three press lines. Our production capabilities include 6000 series alloys. The extrusion production is in compliance with DIN 12020-2 tolerance.

Our press lines have the following dimensions:

- 1650MT 7" (178MM)
- 1320MT 6" (152MM)
- 700MT 4" (110MM)

Powder Coating

Our electrostatic powder coating line is equipped with the latest technology. We offer all standard RAL colors as well as special custom color profiles. We ensure a quality control process to ensure perfect surface finishes. Our powder coating line operates under Qualicoat quality standards.

Anodizing

The anodizing process increases surface aesthetics and endurance of our aluminum profiles. We are able to anodize in various tones and colors including in natural, black, gold, brown color range. The anodizing process is in compliance and operates with quality certification via State of the Art Technology Lab and Qualanod license.

Mechanical Fabrication

Our mechanical fabrication process allows us to customize all type of aluminium extrusions and components. We meet all needs and requirements with rapid and precise machining. mechanically processed products are ready to use.

We offer following fabrication

processes:

- PV Frame machine
- CNC machining
- Drilling & Punching
- Cutting & Bending

Certifications

Quality Standards

Seral co-owns one of the leading aluminium extrusion manufacturing plants in Turkey with over 15,000m² (161,000ft²) closed production area. All stages of production are assessed and certified accordance with ISO 9001:2015, TSE, Bureau Veritas and Qualanod standards in compliance with DIN 12020-2 tolerance. The anodizing process is in compliance and operates with quality certification via State of the Art Technology Lab and Qualanod license. Our powder coating line operates under Qualicoat quality standards.



TÜRK STANDARDLARI ENSTİTÜSÜ



SEASIDE





Sales Office

Varyap Meridian Grand Tower A Blok Kat:2 D:27
İstanbul - 34746 Türkiye



Production Facility

Gebze - Kocaeli
41400 - Türkiye



Telephone

+90 535 870 6670



Email

info@ser-al.com



Website

www.ser-al.com